

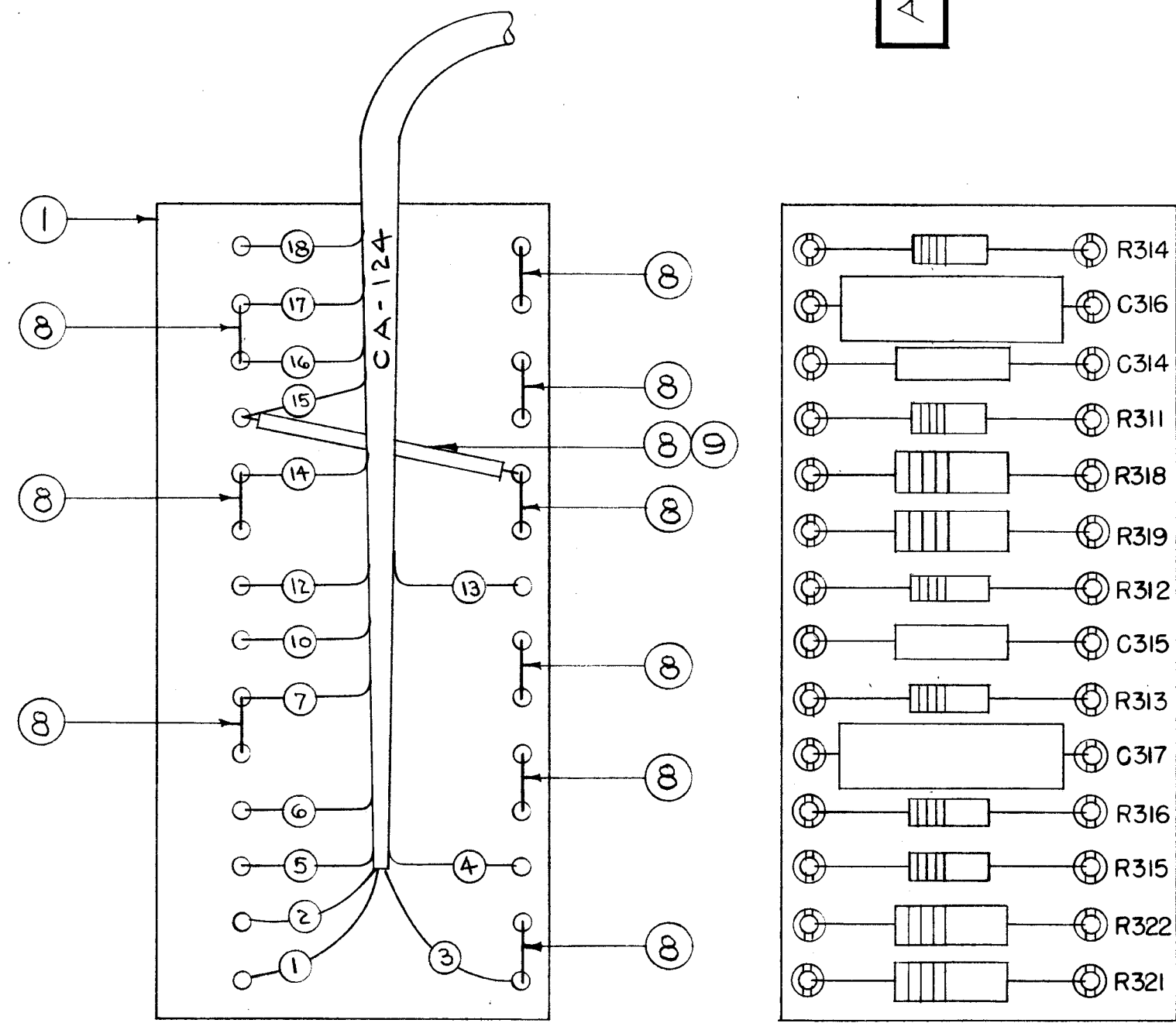
IF IT IS FOUND DESIRABLE TO CHANGE ANY TOLERANCE OR OTHER DETAIL SPECIFIED ON THIS DRAWING NOTIFY THE PURCHASER PROMPTLY.

MAXIMUM ALLOWABLE TOLERANCES HAVE BEEN DETERMINED AND DEVIATIONS WILL BE CAUSE FOR REJECTION. REMOVE ALL BURRS AND SHARP EDGES

A-633

WIRE NO.	COLOR
18	WH./YEL.
17	GRAY
16	GRAY
15	WH./BLUE
14	WH./BLK.
13	ORANGE
12	ORANGE
10	GREEN
7	GRAY
6	WH./GRN.
5	BLUE
4	BLUE
3	BROWN
2	YELLOW
1	WH./OR.

WIRE NOS. & COLORS CORRESPOND TO CABLE DWG. CA-124



REQ.	ITEM	PART NO.	DESCRIPTION	SYMBOL
X	10	BS-100	SOLDER, SOFT (CONNECTIONS)	
1/4"	9	PX-10A-6-.022	INSULATION, SLEEVING (BLUE)	
X	8	WL-100-7	WIRE, BUSS BAR 22 GA.	
2	7	RC42GF120K	RESISTOR, FIXED	R322 R321
2	6	RC42GF912J	" " "	R319 R318
2	5	RC20GF244J	" " "	R315 R312
4	4	RC20GF101K	" " "	R311- 13-14-16
2	3	CN-100-A	CAPACITOR, FIXED	C317 C316
2	2	CM35A103K	" " "	C315 C314
1	1	A-416	TERM. BD. SUB ASSY.	

#		THE TECHNICAL MATERIEL CORP.	
#		MAMARONECK. NEW YORK	
#		HEATER TERM. BD. ASSY.	
#		VOX	
#		C.D.D. 12-30-53	
#		DRAWN	
#		ELEC. DES. APP.	
#		MECH. DES. APP.	
#		HEAT TREAT. SPEC.	
#		CHECKED	
#		FINAL APPROVAL	
#		A-633	
#		FINISH & SPEC. NO.	

ISSUE	ITEM	CHANGED FROM	DATE	CN. NO.	DRAFTS	CHECKER	ENG. APP.
TOLERANCES							
SCALE: _____							
DRILL, PUNCH, COMMERCIAL STOCK SIZES AND MANUFACTURERS TOLERANCES ARE NOT INCLUDED.							

1	VOX	101	A-635	12-30-53
REQ. PER UNIT	MODEL	PROJECT NO.	ASS'Y. NO.	DATE
USED ON				