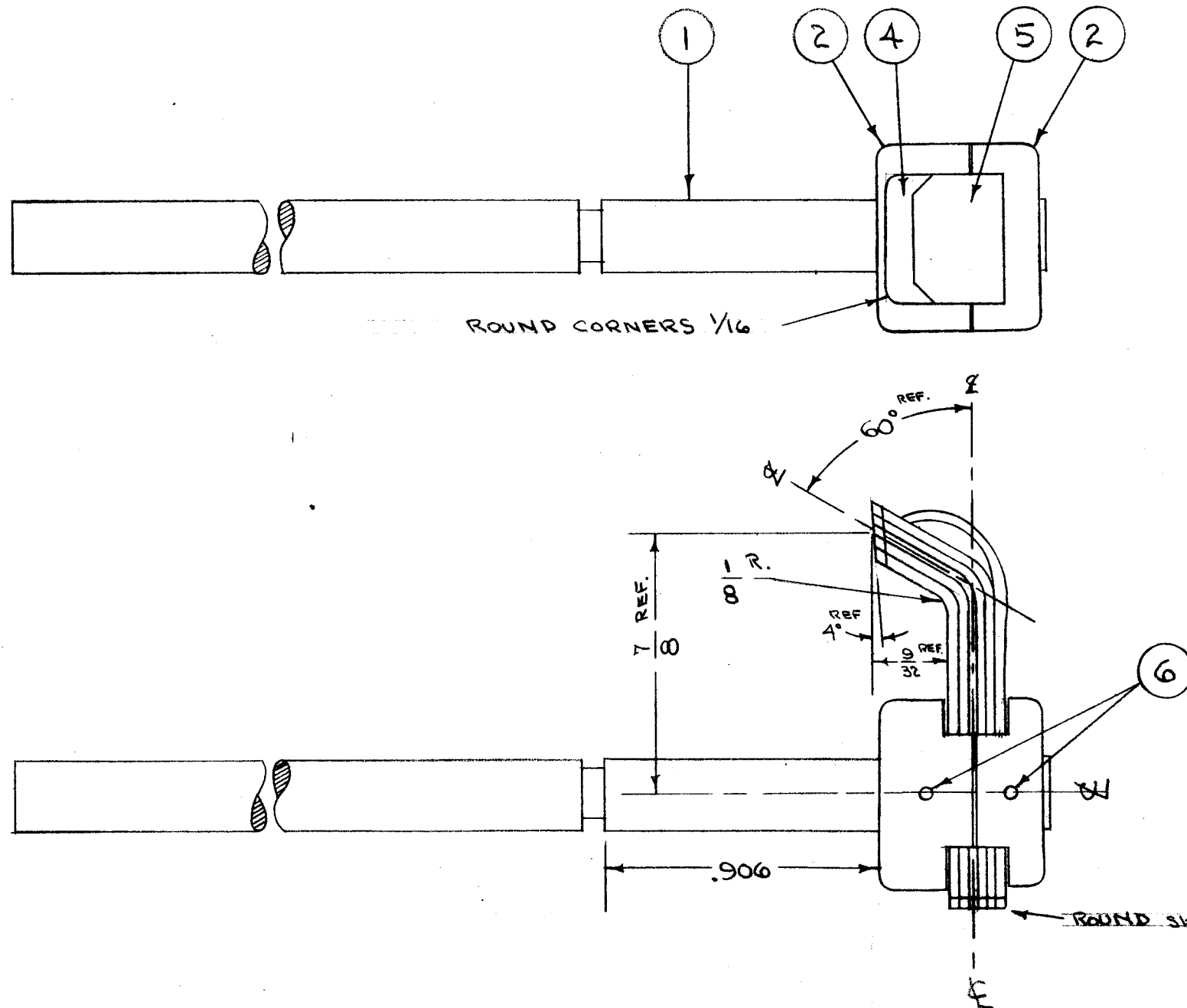


IF IT IS FOUND DESIRABLE TO CHANGE ANY TOLERANCE OR OTHER DETAIL SPECIFIED ON THIS DRAWING NOTIFY THE PURCHASER PROMPTLY.

MAXIMUM ALLOWABLE TOLERANCES HAVE BEEN DETERMINED AND DEVIATIONS WILL BE CAUSE FOR REJECTION. REMOVE ALL BURRS AND SHARP EDGES

A-666 A



REQ.	ITEM	PART NO.	DESCRIPTION	SYMBOL
2	6	PN 92-.0625-10	PIN, ROLL	
1	5	MS-494	SWITCH PRESSURE LEAF, SINGLE	
5	4	MS-493	CONTACT LEAF, SINGLE	
	3		DELETED	
2	2	PM-266	SWITCH BUSHING	
1	1	PM-268	ROD, SWITCH CONNECTING	
		THE TECHNICAL MATERIEL CORP.		
		MAMARONECK. NEW YORK		
		SINGLE LEAF SWITCH SUB ASSY.		
		TAC-1		
		STOCK SIZE		
		MATERIAL		
		WEIGHT PER PC.		
		TYPE & TEMPER		
		HEAT TREAT. SPEC.		
		FINISH & SPEC. NO.		
		SILVER PLATE.0003		

ISSUE	ITEM	CHANGED FROM	DATE	CN. NO.	DRAFTS	CHECKER	ENG. APP.
A	1	IT.6 WAS PN-109 -3	8.10.54	12.061	AMB	J.P.	OX
TOLERANCES		SCALE: 1					
ALL OTHERS	DEC. DIM. ± .005 FRAC. DIM. ± 1/64 ANGULAR DIM. ± 2°		DRILL, PUNCH, COMMERCIAL STOCK SIZES AND MANUFACTURERS TOLERANCES ARE NOT INCLUDED.				

REQ. PER UNIT	MODEL	PROJECT NO.	ASSY. NO.	DATE
1	TAC-1	132	A-672	12-30-53
USED ON				