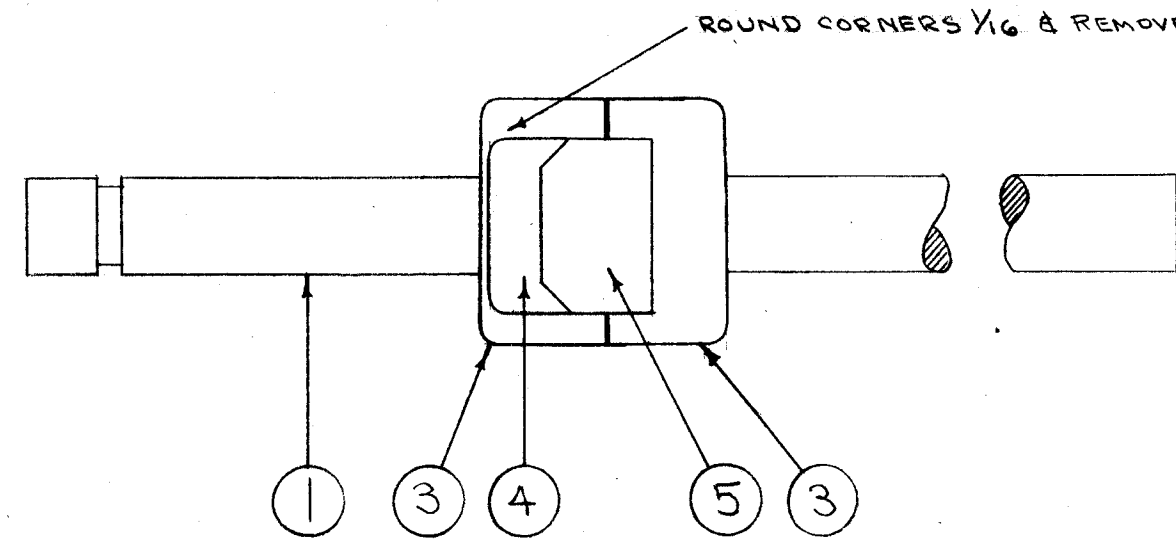
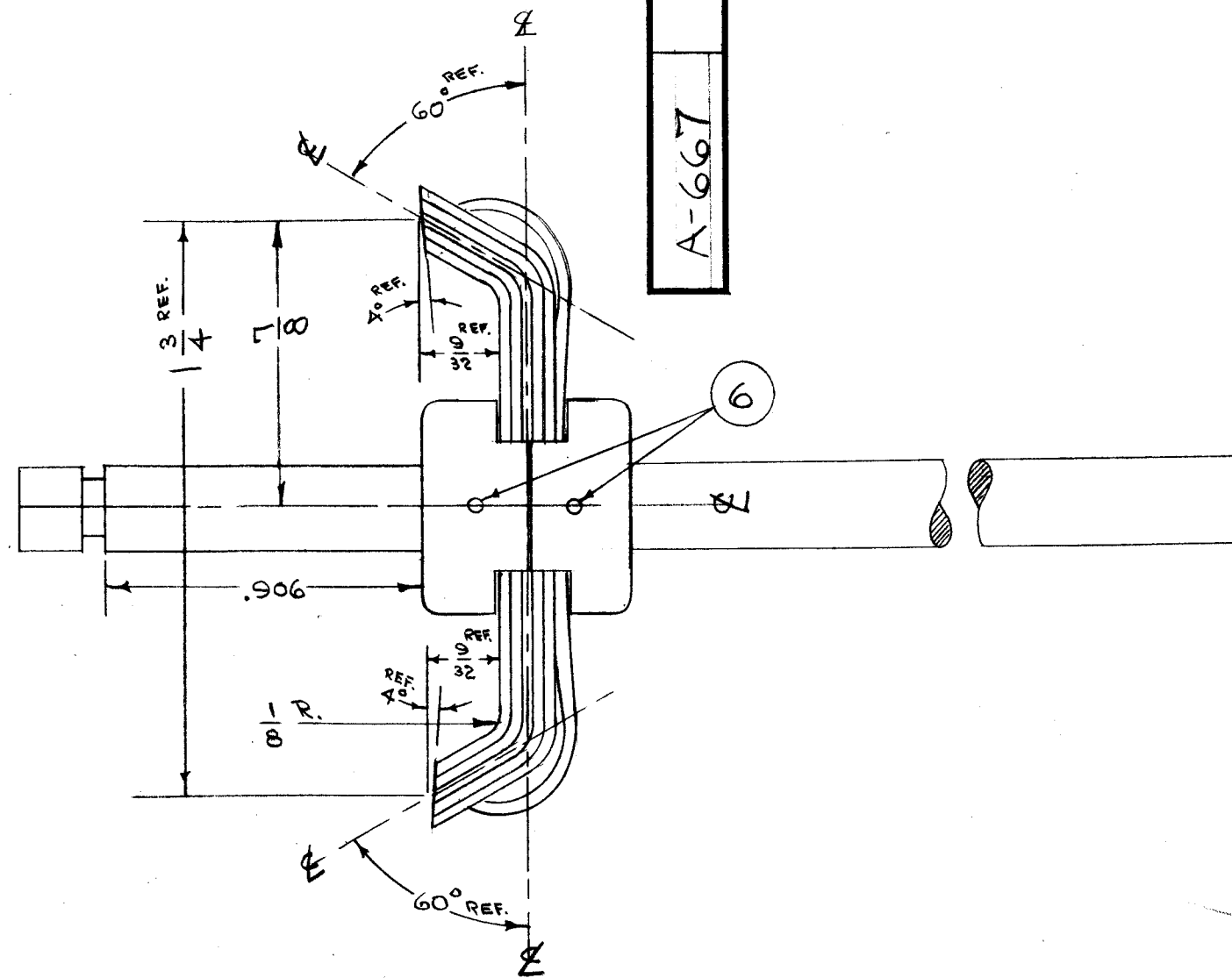


IF IT IS FOUND DESIRABLE TO CHANGE ANY TOLERANCE OR OTHER DETAIL SPECIFIED ON THIS DRAWING NOTIFY THE PURCHASER PROMPTLY.

MAXIMUM ALLOWABLE TOLERANCES HAVE BEEN DETERMINED AND DEVIATIONS WILL BE CAUSE FOR REJECTION. REMOVE ALL BURRS AND SHARP EDGES

A-667



2	6	PN-109-3	PIN, ROLL	
1	5	MS-492	SWITCH PRESSURE LEAF DOUBLE	
5	4	MS-490	CONTACT LEAF, DOUBLE	
2	3	PM-266	SWITCH BUSHING	
-	2		DELETE	
1	1	PM-275	SHAFT, DOUBLE SWITCH	

REQ.	ITEM	PART NO.	DESCRIPTION	SYMBOL
#			THE TECHNICAL MATERIEL CORP.	
#			MAMARONECK. NEW YORK	
#			DOUBLE LEAF SWITCH SUB ASSY.	
#			TAC-1	
#			C.D.D. 12-2953	
#			DRAWN	
#			ELEC. DES. APP.	
#			MECH. DES. APP.	
#			HEAT TREAT. SPEC.	
#			CHECKED	
#			FINAL APPROVAL	
#			SILVER PLATE .0003	
#			FINISH & SPEC. NO.	

ISSUE	ITEM	CHANGED FROM	DATE	CN. NO.	DRAFTS	CHECKER	ENG. APP.
TOLERANCES							
ALL OTHERS		DEC. DIM. ± .005	SCALE: 1/16"				
		FRAC. DIM. ± 1/64	DRILL, PUNCH, COMMERCIAL STOCK				
		ANGULAR DIM. ± 2°	SIZES AND MANUFACTURERS				
			TOLERANCES ARE NOT INCLUDED.				

1	TAC-1	132	A-673	12-30-53
REQ. PER UNIT	MODEL	PROJECT NO.	ASS'Y. NO.	DATE
USED ON				

A-667