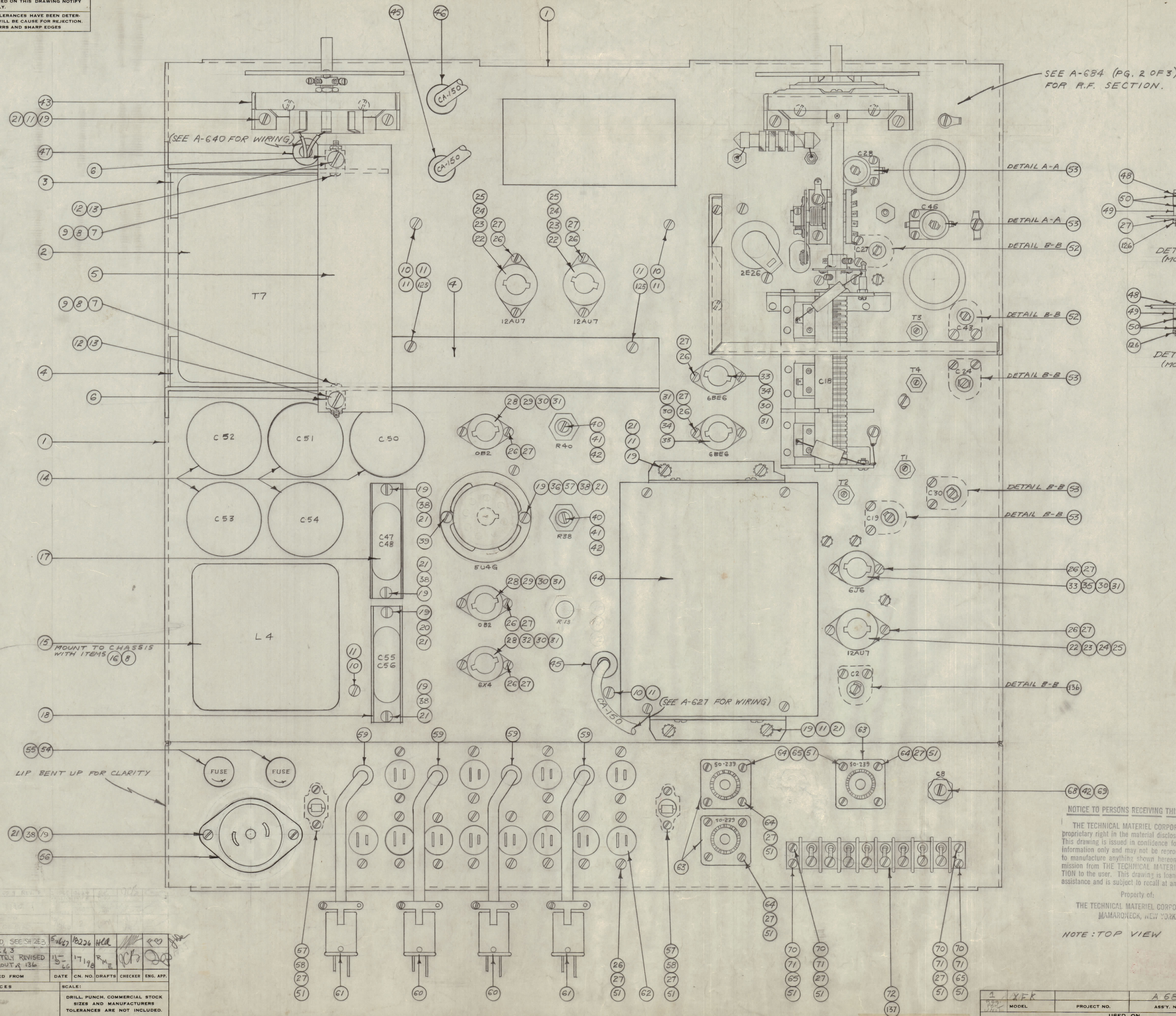
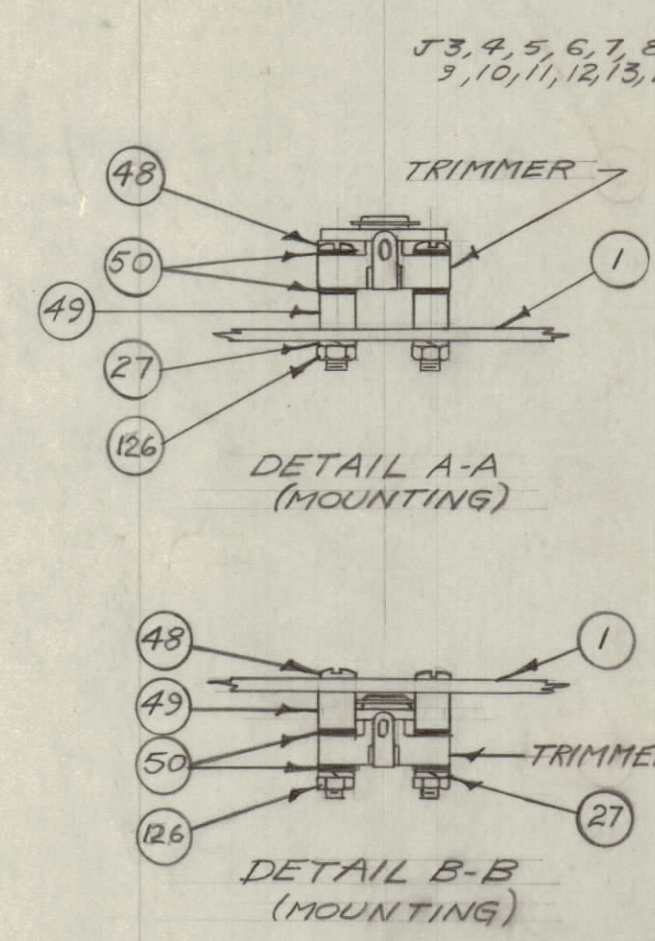


IF IT IS FOUND DESIRABLE TO CHANGE ANY TOLERANCE OR OTHER DETAIL SPECIFIED ON THIS DRAWING NOTIFY THE PURCHASER PROMPTLY.
 MAXIMUM ALLOWABLE TOLERANCES HAVE BEEN DETERMINED AND DEVIATIONS WILL BE CAUSE FOR REJECTION. REMOVE ALL BURRS AND SHARP EDGES



SEE A-684 (PG. 2 OF 3) FOR R.F. SECTION.



QTY	PART NO.	DESCRIPTION	SYMBOL
1	74 CB-107	CAPACITOR, VAR.	C18
1	73 A-641	BRACKET & VERNIER ASSY	
1	72 TM-100-8	STRIP, TERMINAL	E1
2	71 MS-154-1	STRADDLE PLATE	
4	70 SCBP0440BN8	SCREW, MACH.	
1	69 PO-104	LOCK, SHAFT	
1	68 CB-103-3	CAPACITOR, VAR.	C8
67		DELETED	
66		DELETED	
5	65 TE-104-1	LUG, SOLDER #4	
16	64 SCBP0440BN5	SCREW, MACH.	
3	63 SO-239A	JACK, CONNECTOR	J1,2
12	62 J-119-2	CONNECTOR, FEMALE	
2	61 CA-209-2	CABLE, REAR	
2	60 CA-209-1	CABLE, REAR	
4	59 CU-107-1	STRAIN RELIEF	
2	58 FS-108	CATCH, SPRING	
4	57 SCFP0440BN4	SCREW, MACH.	
1	56 J-175	CONN, RECP, ML, AG 3/C, TWLK	J16
2	55 FU-100-3	FUSE, CARTRIDGE	F1,2
2	54 FH-100-2	HOLDER, FUSE	H1,2
5	53 CV11A120	CAP, VAR., CERAMIC	C1,2
2	52 CV11A070	CAP., VAR., CERAMIC	C2,3
65	51 NTH0440BC8	NUT, HEX.	
32	50 WA-109-17	WASHER, FIBRE	
16	49 TE-117-21	SPACER	
16	48 SCBP0440BN10	SCREW, MACH.	
1	47 EY-102-1	GROMMET, ELASTIC	
1	46 EY-102-5	GROMMET, ELASTIC	
2	45 EY-102-3	GROMMET, ELASTIC	
1	44 A-627	200 KC. OVEN ASSY.	
1	43 A-640	DIAL, BRACK., & RES. ASS'Y.	
3	42 NTH3732BN16	NUT, HEX.	
2	41 LW137MRN	LOCKWASHER, INT.	
2	40 RA-100-ASSET103A	RESISTOR, VAR. (38, 40)	
1	39 5U4G	TUBE, ELECTRON (V8)	V8
8	38 LWS06MRN	LOCKWASHER, SPLIT	
2	37 TS-101-PO1	SOCKET, TUBE, OCTAL (XV5, 8)	
1	36 CU-180-6	CLAMP, TUBE	
1	35 6J6	TUBE, ELECTRON (V1)	V1
2	34 6BE6	TUBE, ELECTRON (V3, V4)	V3, V4
3	33 TS-102-U02	SHIELD, TUBE	
1	32 6X4	TUBE, ELECTRON	V9
6	31 NT-101-4	NUT, STRAP	
6	30 TS-102-PO1	SOCKET, TUBE	XV1, 2, 3, 10, 11
2	29 0B2	TUBE, ELECTRON	V10, 11
3	28 TS-102-U03	SHIELD, TUBE	
58	27 LWS04MRN	LOCKWASHER, SPLIT	
51	26 SCBP0440BN4	SCREW, MACH.	
3	25 NT-101-5	NUT, STRAP	
3	24 TS-103-PO1	SOCKET, TUBE	V12, V16, V17
3	23 12AU7	TUBE, ELECTRON	
3	22 TS-103-U02	SHIELD, TUBE	
30	21 NTH0632BN8	NUT, HEX.	
10	20 TE-104-2	LUG, SOLDER #6	
24	19 SCBP0632BN4	SCREW, MACH.	
1	18 CP6384EF503M	CAP, FIXED, PAPER, DUAL	C55, C56, C57, C58
1	17 CP6384EF503M	CAP, FIXED, PAPER, DUAL	C49
7	16 SCBP0832BN5	SCREW, MACH.	
1	15 TF-5001	REACTOR, FILTER	L4
5	14 CPA02DF405Y	CAPACITOR, FIXED, PAPER	C50, C51, C52, C53, C54
5	13 LWS10MRN	LOCKWASHER, SPLIT	
2	12 SCBP1072BN8	SCREW, MACH.	
22	11 LW06MRN	LOCKWASHER, EXT.	
8	10 SCBP0632BN5	SCREW, MACH.	
4	9 NTH0832BN8	NUT, HEX.	
3	8 LWS08MRN	LOCKWASHER, SPLIT	
4	7 SCBP0832BN10	SCREW, MACH.	
2	6 PM-249	TRANS. SUPPORTS	
1	5 MS-407	TRANS. BRACKET, TOP	
1	4 MS-409	TRANS. BRACKET, REAR	
1	3 MS-408	TRANS. BRACKET, FRONT	
1	2 TF-105	TRANS., POWER	T7
1	1 LD188/MS208	MAIN CHASSIS	

NOTICE TO PERSONS RECEIVING THIS DRAWING
 THE TECHNICAL MATERIEL CORPORATION claims proprietary right in the material disclosed hereon. This drawing is issued in confidence for engineering information only and may not be reproduced or used to manufacture anything shown herein without permission from THE TECHNICAL MATERIEL CORPORATION to the user. This drawing is loaned for mutual assistance and is subject to recall at any time.

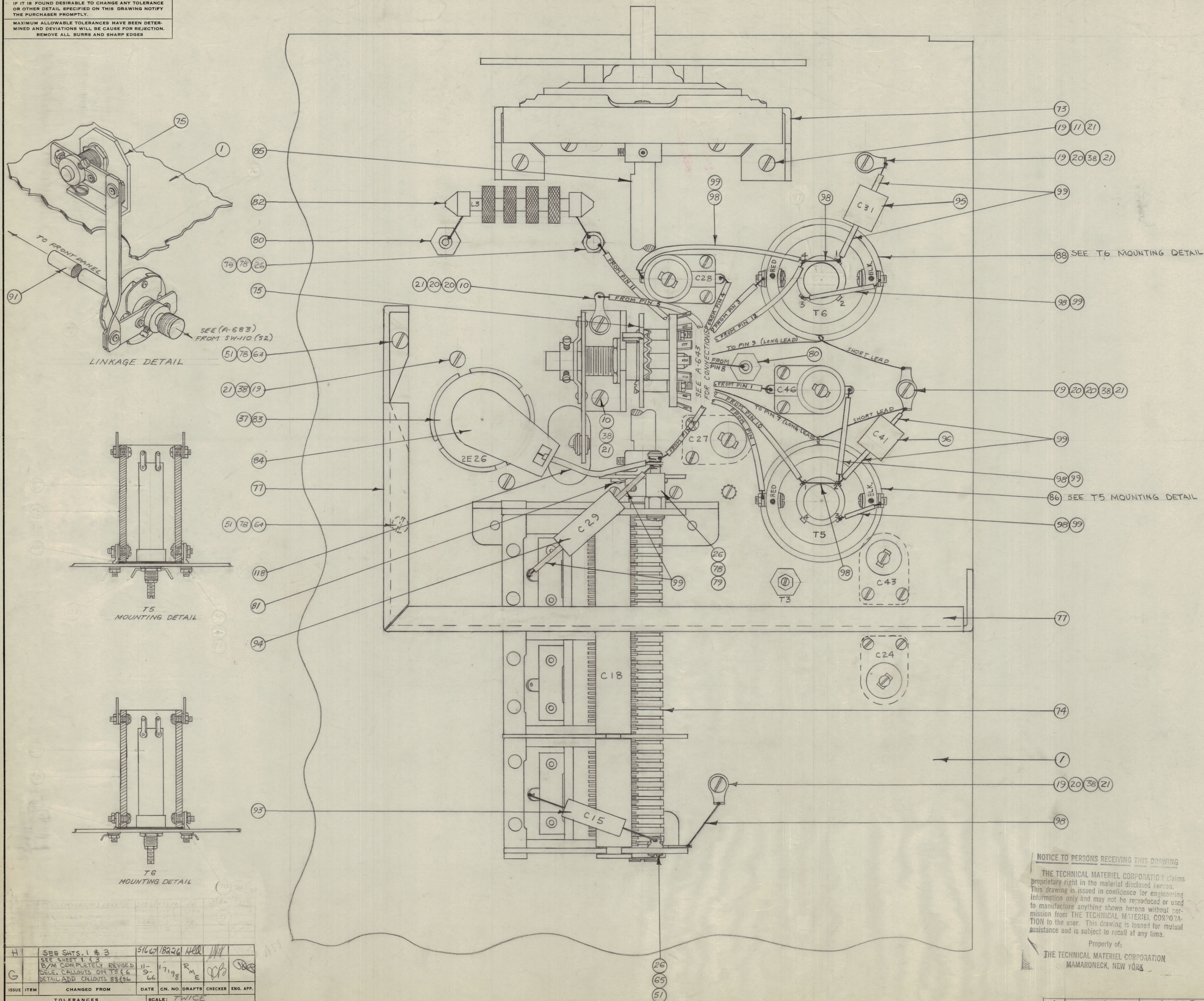
Property of:
 THE TECHNICAL MATERIEL CORPORATION
 MAMARONECK, NEW YORK
 NOTE: TOP VIEW

H	IT, S.C. WAS J1100 SEE SH 28-3	5/16/54	16206	HCL		
G	SEE SHEET 2 & 3 B/S/M COMPLETELY REVISED ADD 137 ENLOWT, 136	11-26-54	17198	FM		
ISSUE	ITEM	CHANGED FROM	DATE	CN. NO.	DRAFTS	CHECKER
TOLERANCES						
SCALE:						
DRILL PUNCH, COMMERCIAL STOCK SIZES AND MANUFACTURERS TOLERANCES ARE NOT INCLUDED.						

1	XFK	PROJECT NO.	A 689	DATE	2-9-54
MODEL		ASSY. NO.			
USED ON					

THE TECHNICAL MATERIEL CORP. MAMARONECK, NEW YORK			
MAIN CHASSIS HARDWARE ASS'Y. (Pg. 1 of 3)			
TYPE & TEMPER	462-9-54	DES. APP.	H. J. J.
MEAT TREAT. SPEC.	CHECKED	MECH. DES. APP.	W. E.
FINISH & SPEC. NO.	PAGE 1 OF 3	FINAL APPROVAL	A 684 H

IF IT IS FOUND DESIRABLE TO CHANGE ANY TOLERANCE OR OTHER DETAIL SPECIFIED ON THIS DRAWING NOTIFY THE PURCHASER PROMPTLY.
 MAXIMUM ALLOWABLE TOLERANCES HAVE BEEN DETERMINED AND DEVIATIONS WILL BE CAUSE FOR REJECTION. REMOVE ALL BURRS AND SHARP EDGES



A-684 H

100	DELETED		
X 99	PA-104-5-022	INSULATION, SLEEVING	BRN.
X 98	WL-100-7	WIRE, BUSS	SIZE 22
97	DELETED		
1 96	CM35F512603	CAP. FIXED, MICA	C41
1 95	CM30E152603	CAP. FIXED, MICA	C31
1 94	CM35F103F03	CAP. FIXED, MICA	C29
1 93	CM15C050J03M	CAP. FIXED, MICA	C15
92	DELETED		
1 91	A-683	SWITCH LINKAGE ASS'Y.	
1 90	FW06MRN	WASHER, FLAT	
89	DELETED		
1 88	A-753	TRANSFORMER ASS'Y.	T6
87	DELETED		
1 86	A-753	TRANSFORMER ASS'Y.	T5
1 85	FP-116	COND. EXTENSION SHAFT	
1 84	HB-102-2	PLATE, CAP	
1 83	2E26	TUBE, ELECTRON	V5
1 82	CL-104-1	CHOKE, R.F.	L3
1 81	MC-103-1	COUPLING, FLEX.	
2 80	TE-114-2	TERMINAL, FEED-THRU	
8 79	TE-102-2	TERMINAL, TURRET	
12 78	LWE04MRN	LOCKWASHER, EXT.	
1 77	MS-446	SHIELD, CAPACITOR	
1 76	DELETED		
1 75	A-643	SWITCH, SUB-A 35'Y.	

NOTICE TO PERSONS RECEIVING THIS DRAWING
 THE TECHNICAL MATERIEL CORPORATION claims proprietary right in the material disclosed hereon. This drawing is issued in confidence for engineering information only and may not be reproduced or used to manufacture anything shown hereon without permission from THE TECHNICAL MATERIEL CORPORATION to the user. This drawing is loaned for mutual assistance and is subject to recall at any time.
 Property of:
 THE TECHNICAL MATERIEL CORPORATION
 MAMARONECK, NEW YORK

(TOP VIEW)

H	SEE SHITS 1 & 3	15166718226	HER				
G	SEE SHEET 1 & 3 B/M COMPLETELY REVISED DELE. CALLOUTS ON T5 & 6 DETAIL AND CALLOUTS 88 & 86	11-9-66	17198	RME			
ISSUE	ITEM	CHANGED FROM	DATE	CN. NO.	DRAFTS	CHECKER	ENG. APP.
TOLERANCES			SCALE: TWICE				
ALL OTHERS	DEC. DIM. ± FRAC. DIM. ± ANGULAR DIM. ±	DRILL, PUNCH, COMMERCIAL STOCK SIZES AND MANUFACTURERS TOLERANCES ARE NOT INCLUDED.					

1	XFK	A-689	A 689	2-10-53
Rev.	MODEL	PROJECT NO.	ASS'Y. NO.	DATE
UNIT	USED ON			

REQ. ITEM	PART NO.	DESCRIPTION	SYMBOL
THE TECHNICAL MATERIEL CORP. MAMARONECK, NEW YORK			
STOCK SIZE			
MATERIAL			
WEIGHT PER PC.			
TYPE & TEMPER			
HEAT TREAT. SPEC.			
FINISH & SPEC. NO.			

RF SECTION - XFK - PG. 2 OF 3

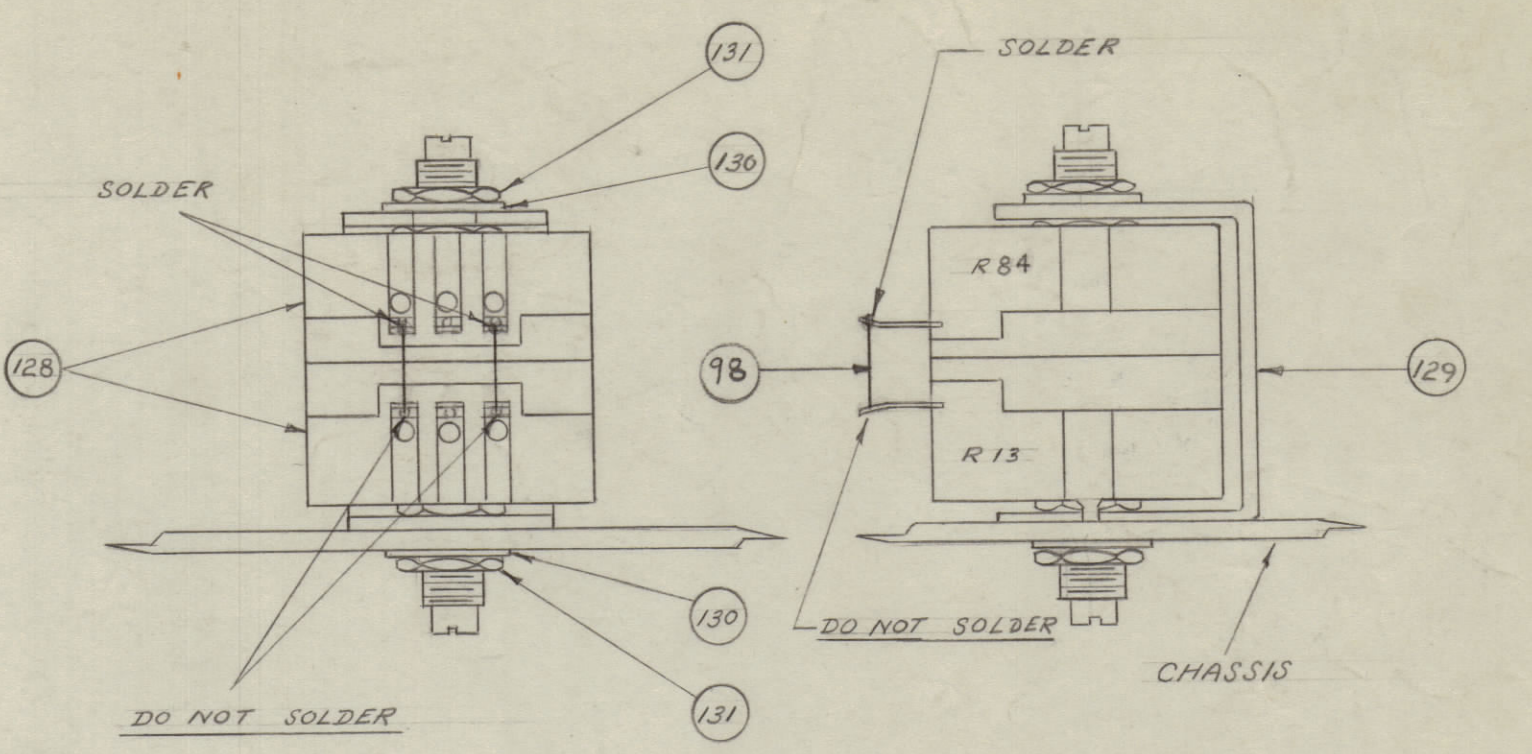
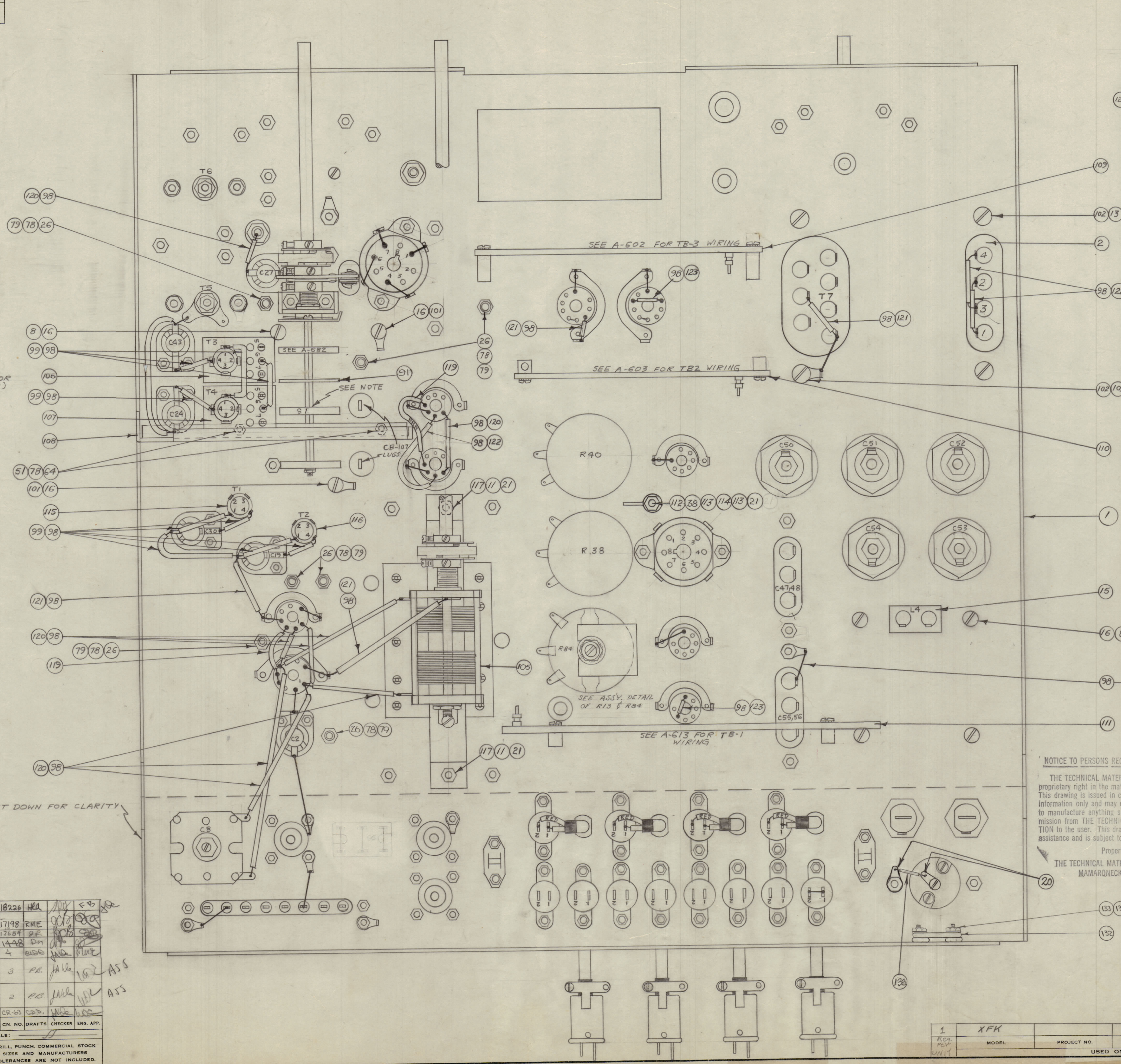
62-10-53 A.J.J. J.W.

DRAWN ELEC. DES. APP. MECH. DES. APP.

CHECKED FINAL APPROVAL

Page 2 of 3 A-684 H

IF IT IS FOUND DESIRABLE TO CHANGE ANY TOLERANCE OR OTHER DETAIL SPECIFIED ON THIS DRAWING NOTIFY THE PURCHASER PROMPTLY.
 MAXIMUM ALLOWABLE TOLERANCES HAVE BEEN DETERMINED AND DEVIATIONS WILL BE CAUSE FOR REJECTION. REMOVE ALL BURRS AND SHARP EDGES.



ASSY. DETAIL OF R13 & R84

NOTE: SEE DWG. A-682 FOR WIRING OF SWITCH (S1)

ISSUE	ITEM	CHANGED FROM	DATE	CN. NO.	DRAFTS	CHECKER	ENG. APP.
H		ADD. 138, 139, 140. See Sl. 14 2	5/16/47	10226	W.A.	W.A.	W.A.
G		B/M COMPLETELY REVISED. SEE SHEET 1 & 2.	1/15/46	17198	R.M.E.	R.M.E.	R.M.E.
F	1	SEE SHEET 2 OF 3 REF.	3/11/45	13687	D.F.	D.F.	D.F.
E	1	ONE(1) 20, 78, 79 added	7/1/54	14480	D.H.	D.H.	D.H.
D	1	ITEMS 132, 3, 4, 5 Added	4/1/46	4	W.A.	W.A.	W.A.
C	2	ITEMS 128, 129, 130, 131 Added	2/27/52	3	R.L.	J.H.L.	W.A.
B	1	ASSY. DETAIL OF R13 & R84					
B	2	LUGS FROM TANK COIL REMOVED	12-14-49	2	R.S.	J.H.L.	W.A.
B	2	ITEM 113 WAS 2 REQ.					
A	1	ITEMS 125, 126, 127 Added	7/24/54	CR-63	C.H.D.	W.A.	W.A.
A	1	60. ADDED. PIN 6, V5					

REQ.	ITEM	PART NO.	DESCRIPTION	SYMBOL
3	138	MWC16(19)U0	WIRE, ELEC., INS.	
1	137	PX 337-8	INSULATION, TERMINAL, STRIP	
1	136	CV11C450	CAPACITOR, VARIABLE, CERAMIC	
6	135	NTH0348 BNG	NUT, HEX	
6	134	LWS03 MRN	WASHER, LOCK	
6	133	SCBP0348 BNS	SCREW, MACHINE	
3	132	FS-102-1	FASTENER, "S" TYPE	
2	131	NTH 3732 BNG	NUT, HEX	
2	130	LW137MRN	LOCKWASHER, INTERNAL	
7	129	LD951/MS629	BRACKET, BALANCE CONTROL	
2	128	RA100A55C103A	RESISTOR ADJUSTABLE	R13 R84
		127	DELETED	
16	126	NTH0440 BNG	NUT, HEX	
2	125	SCBP0632 BNG	SCREW, MACH.	
X	124	BS-100	SOLDER, SOFT	
X	123	PX104-6-022	INSULATION, SLEEVING	BLUE
X	122	PX104-2-022	INSULATION, SLEEVING	YEL.
X	121	PX104-1-022	INSULATION, SLEEVING	BLK.
X	120	PX104-4-022	INSULATION, SLEEVING	GRN.
X	119	MWC22(L)U1	CABLE, INSULATED	BRN.
X	118	MWC22(L)U6	CABLE, INSULATED	BLUE
2	117	SCFP0632 BNS	SCREW, MACH.	
1	116	A-339	T2 ASS'Y.	
1	115	A-338	T1 ASS'Y.	
1	114	RW-109-34	RESISTOR, W.W.	R14
4	113	WA-102-4	WASHER, FIBRE	
1	112	SCBP0632 BNS	SCREW, MACH.	
1	111	A-613	TB1 COMPONENT ASS'Y.	
1	110	A-603	TB2 COMPONENT ASS'Y.	
1	109	A-602	TB3 COMPONENT ASS'Y.	
1	108	MS-223	BOTTOM SHIELD	
1	107	A-341	T4 ASS'Y.	T4
1	106	A-340	T3 ASS'Y.	T3
1	105	A-679	CONDENSOR/BRACK. ASS'Y.	
		104	DELETED	
1	103	TE-104-4	TERMINAL, LOCKING #10	
4	102	SCBP1032 BNG	SCREW, MACH.	
2	101	TE-104-3	TERMINAL, LOCKING #8	

NOTICE TO PERSONS RECEIVING THIS DRAWING
 THE TECHNICAL MATERIEL CORPORATION claims proprietary right in the material disclosed herein. This drawing is issued in confidence for engineering information only and may not be reproduced or used to manufacture anything shown herein without permission from THE TECHNICAL MATERIEL CORPORATION to the user. This drawing is loaned for mutual assistance and is subject to recall at any time.
 Property of:
 THE TECHNICAL MATERIEL CORPORATION
 MAMARONECK, NEW YORK

1	XFK		A 689	2-15-54
MODEL	PROJECT NO.	ASSY. NO.	DATE	
USED ON				

THE TECHNICAL MATERIEL CORP.			
MAMARONECK, NEW YORK			
STOCK SIZE		HARDWARE & JUMPER ASS'Y.	
MATERIAL	WEIGHT PER PC.	MAIN CHASSIS XFK	
TYPE & TEMPER		16 2-15-54	W.A.
DRAWN	ELEC. DES. APP.	MECH. DES. APP.	W.A.
HEAT TREAT. SPEC.	CHECKED	FINAL APPROVAL	
FINISH & SPEC. NO.	pg. 3 of 3		A 684 H