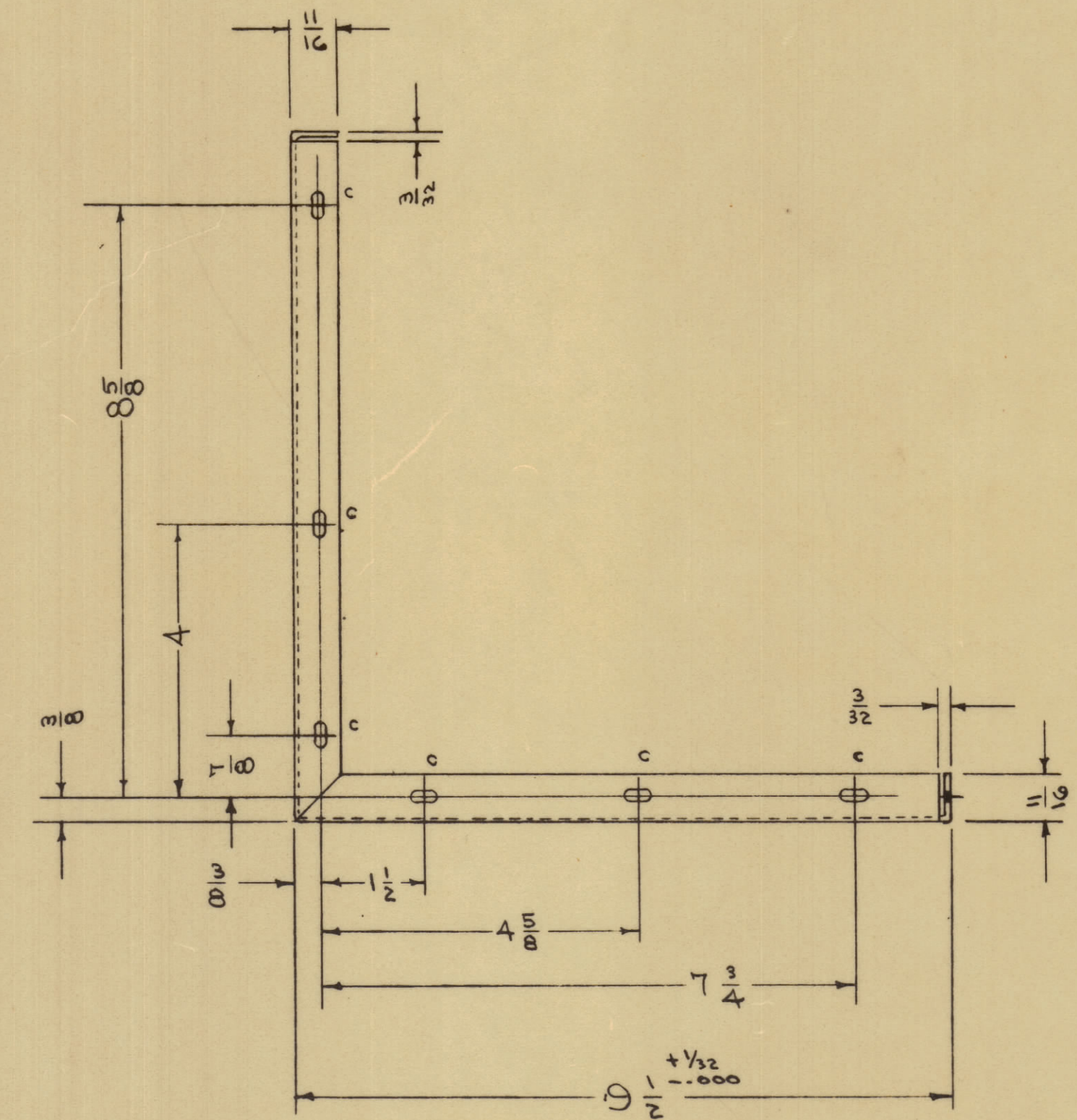
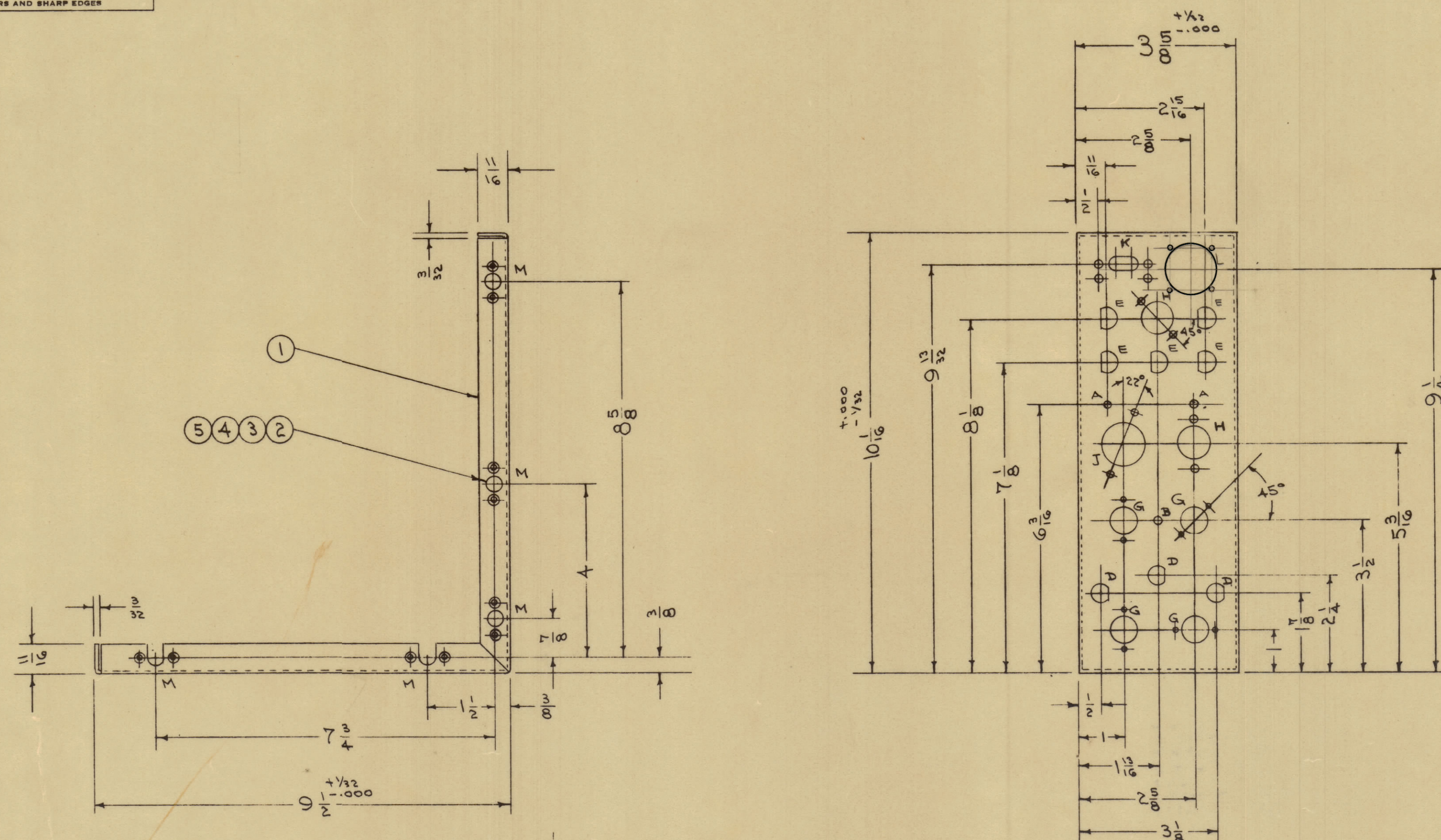
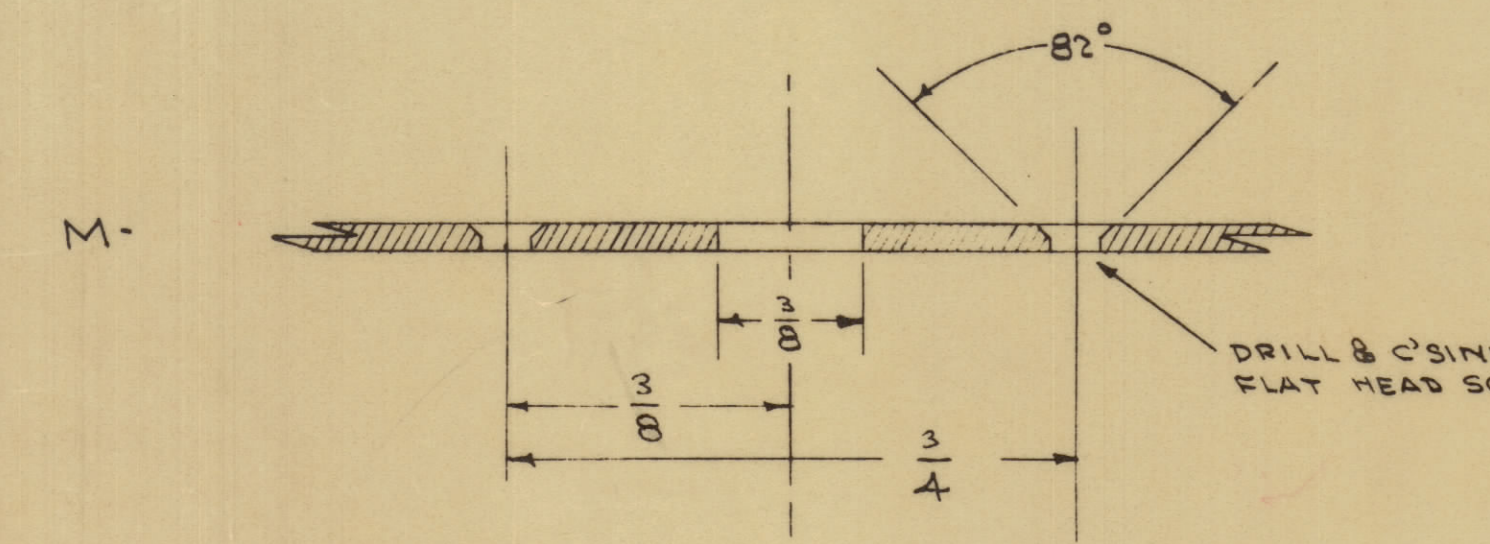
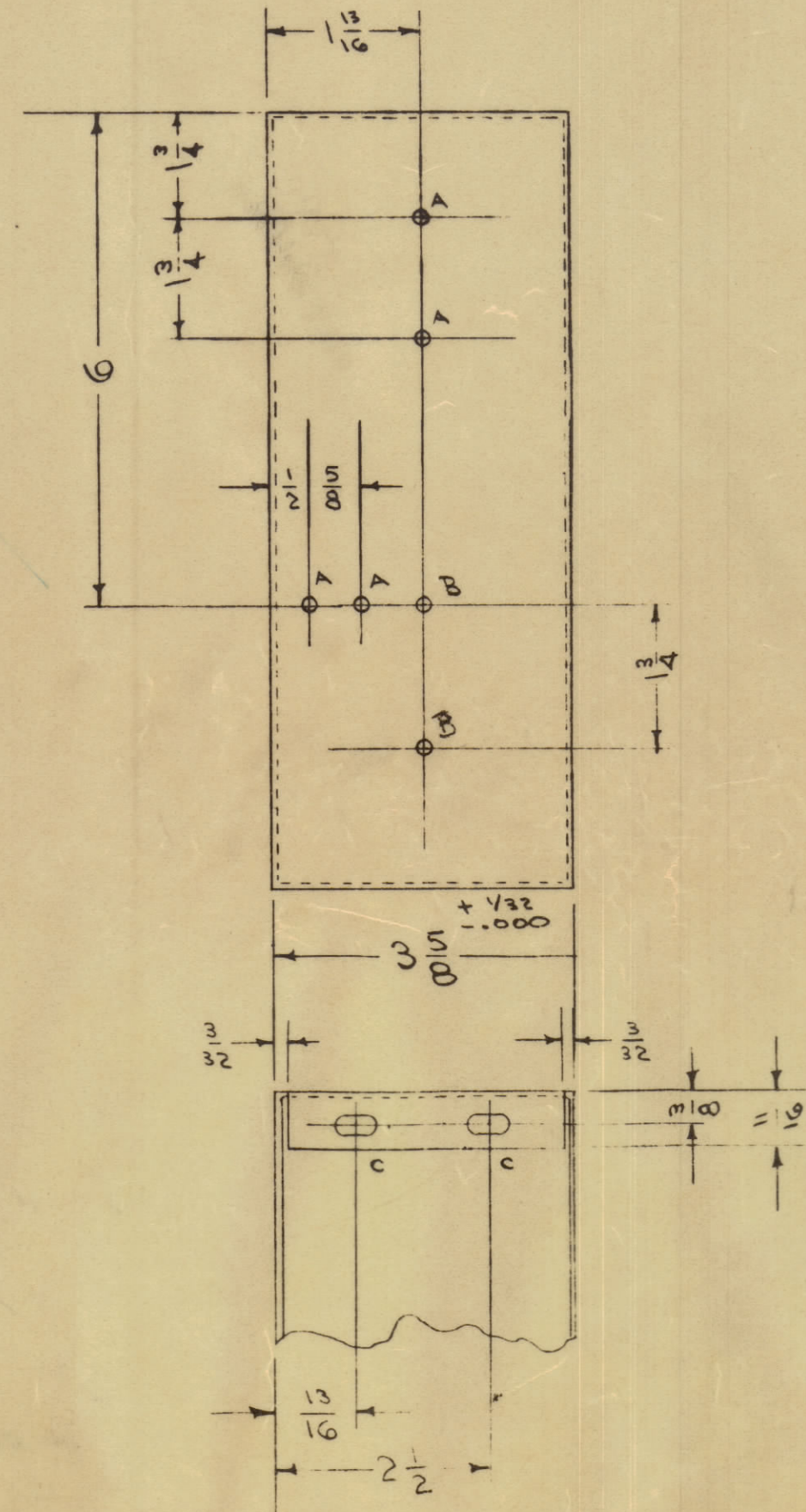
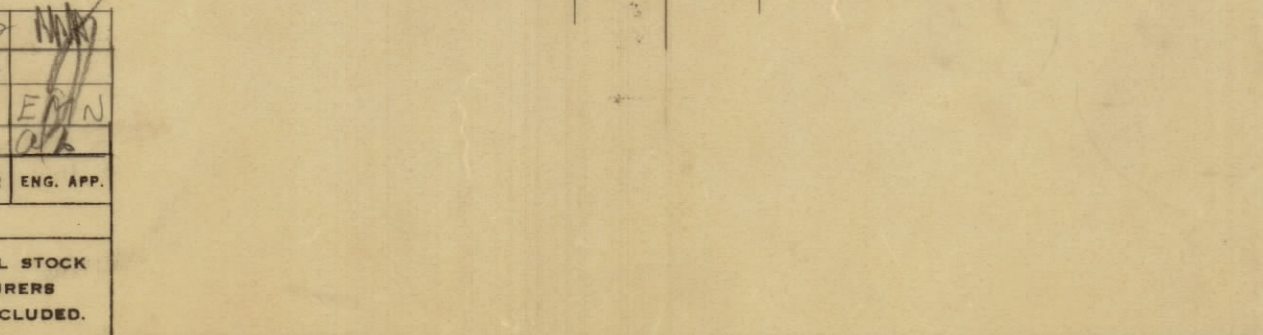
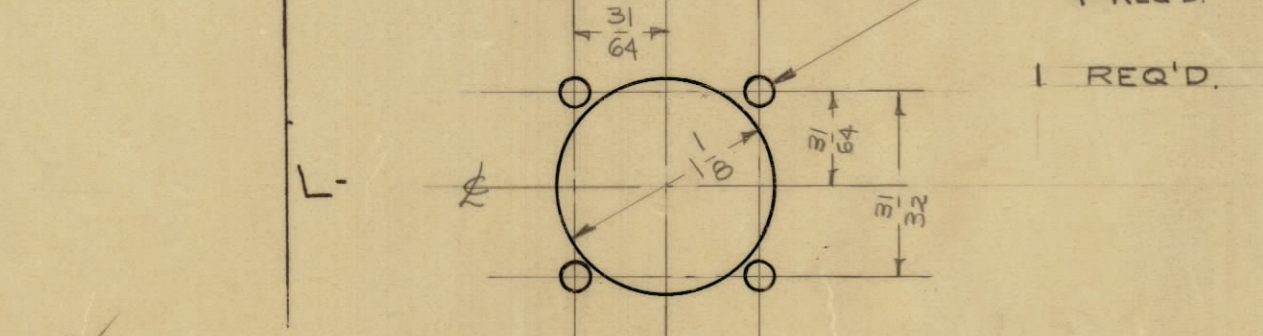
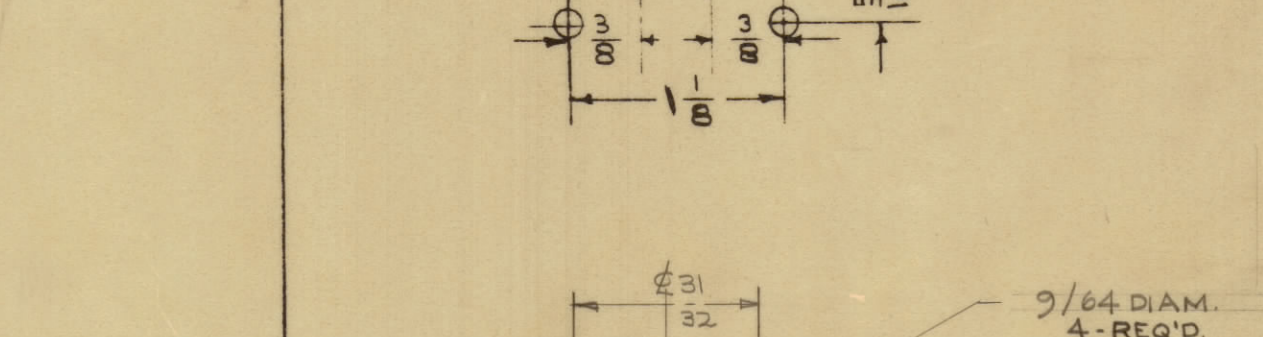
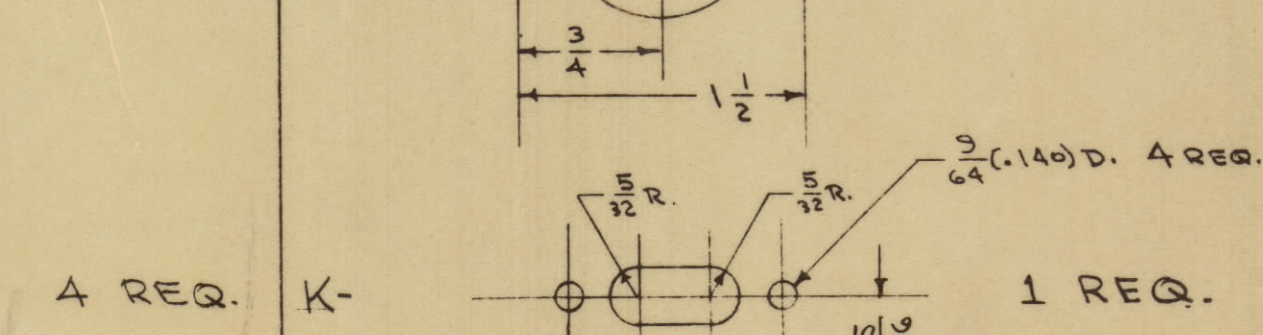
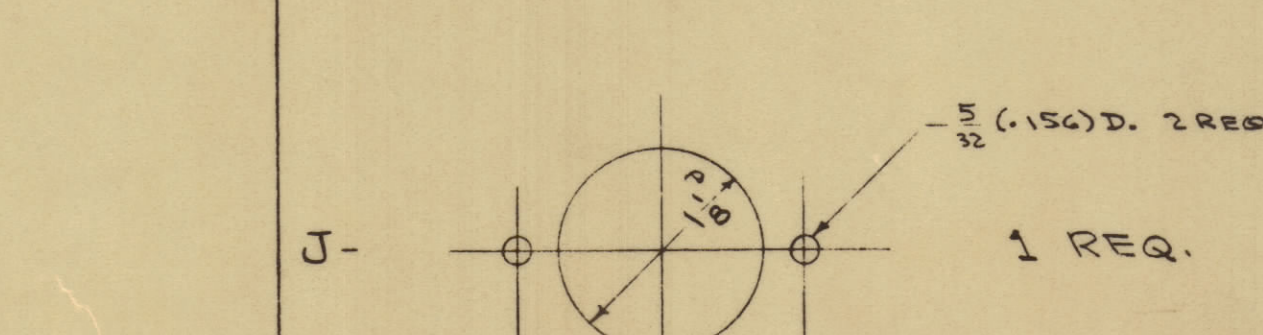
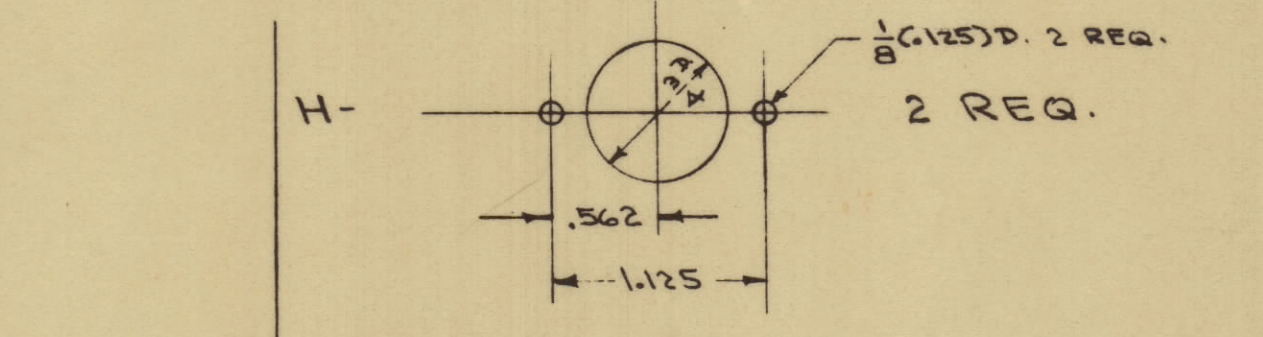
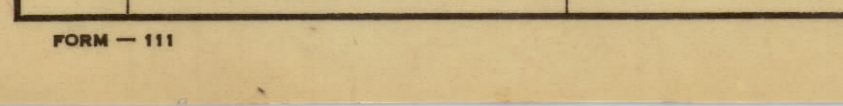
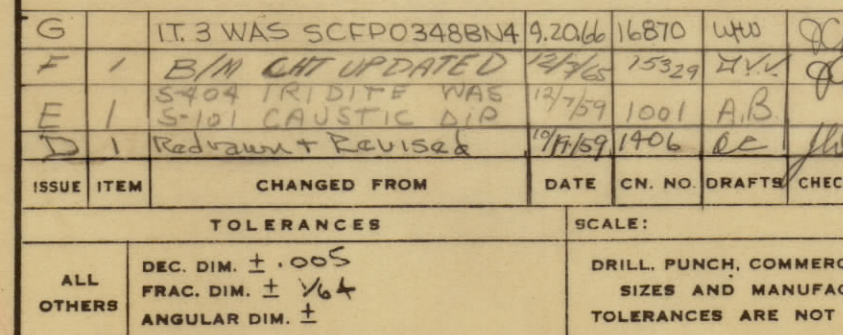
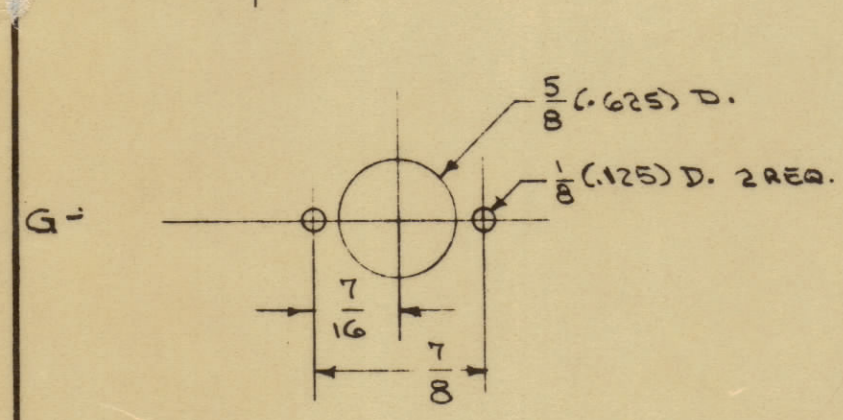
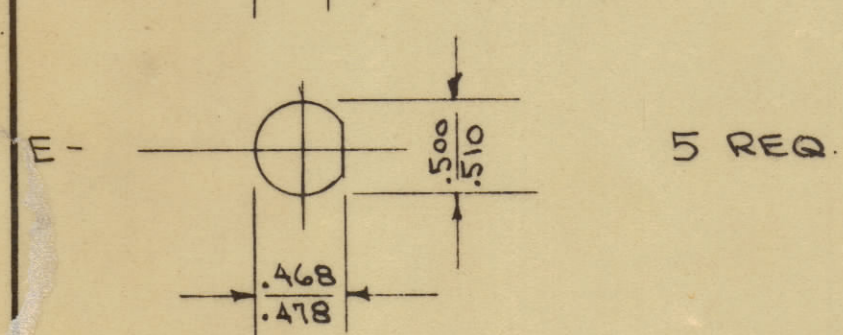
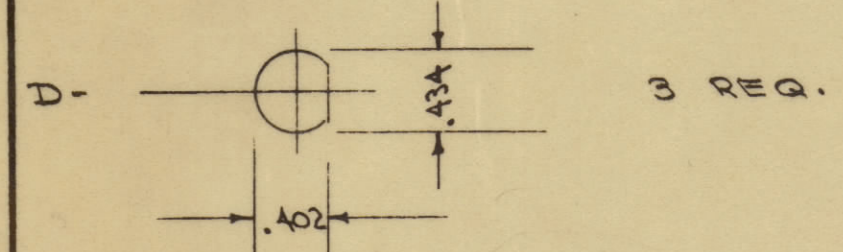


IF IT IS FOUND DESIRABLE TO CHANGE ANY TOLERANCE OR OTHER DETAIL SPECIFIED ON THIS DRAWING NOTIFY THE PURCHASER PROMPTLY.
 MAXIMUM ALLOWABLE TOLERANCES HAVE BEEN DETERMINED AND DEVIATIONS WILL BE CAUSE FOR REJECTION.
 REMOVE ALL BURRS AND SHARP EDGES



- A - 1/64 (.171) D. - 6 HOLES REQ.
- B - 1/8 (.125) D. - 3 " " "
- C - 5/32 x 5/16 SLOTS - 3 " " "



NOTICE TO PERSONS RECEIVING THIS DRAWING
 THE TECHNICAL MATERIEL CORPORATION claims proprietary right in the material disclosed hereon. This drawing is issued in confidence for engineering information only and may not be reproduced or used to manufacture anything shown hereon without permission from THE TECHNICAL MATERIEL CORPORATION to the user. This drawing is loaned for mutual assistance and is subject to recall at any time.
 Property of:
 THE TECHNICAL MATERIEL CORPORATION
 MAMARONECK, NEW YORK

REF. TO LD-410 FOR LETTERING

ISSUE	ITEM	CHANGED FROM	DATE	CN. NO.	DRAWN	CHECKER	ENG. APP.
G	1	IT. 3 WAS SCFP0348BNA	9.20.44	16870	WRO	QJZ	WRO
F	1	B/M CHANGED	10.29.44	15229	WVU	QJZ	WVU
E	1	5404 TRIDITE WAS	12.15.44	1001	AB	EPH	EPH
D	1	5-121 CAUSTIC DIB	11.18.44	1706	EE	WRO	WRO

TOLERANCES		SCALE:
ALL DEC. DIM.	± .005	DRILL PUNCH, COMMERCIAL STOCK
OTHERS	± 1/64	SIZES AND MANUFACTURERS
		TOLERANCES ARE NOT INCLUDED.

REQ. ITEM	PART NO.	DESCRIPTION	SYMBOL
10	5 NTH048RNG	NUT, HEX	
10	4 LW503MRN	WASHER, LOCK	
10	3 SCFP0348BNS	SCREW, MACHINE	
5	2 FS-102-1	FASTENER	
1	1 MS-535	MAIN CHASSIS (DRAWING)	

STOCK SIZE		THE TECHNICAL MATERIEL CORP.	
ALUMINUM		MAMARONECK, NEW YORK	
MATERIAL		MAIN CHASSIS ASSY.	
52S-H32		PMO	
TYPE & TEMPER		C.O.D. 7/21/54	
HEAT TREAT. SPEC.		DRAWN	
FINISH & SPEC. NO.		ELEC. DES. APP.	
		MECH. DES. APP.	
		CHECKED	
		FINAL APPROVAL	
		SUPERCHDES	
		MS-535	
		A-806 G	

A-806 G