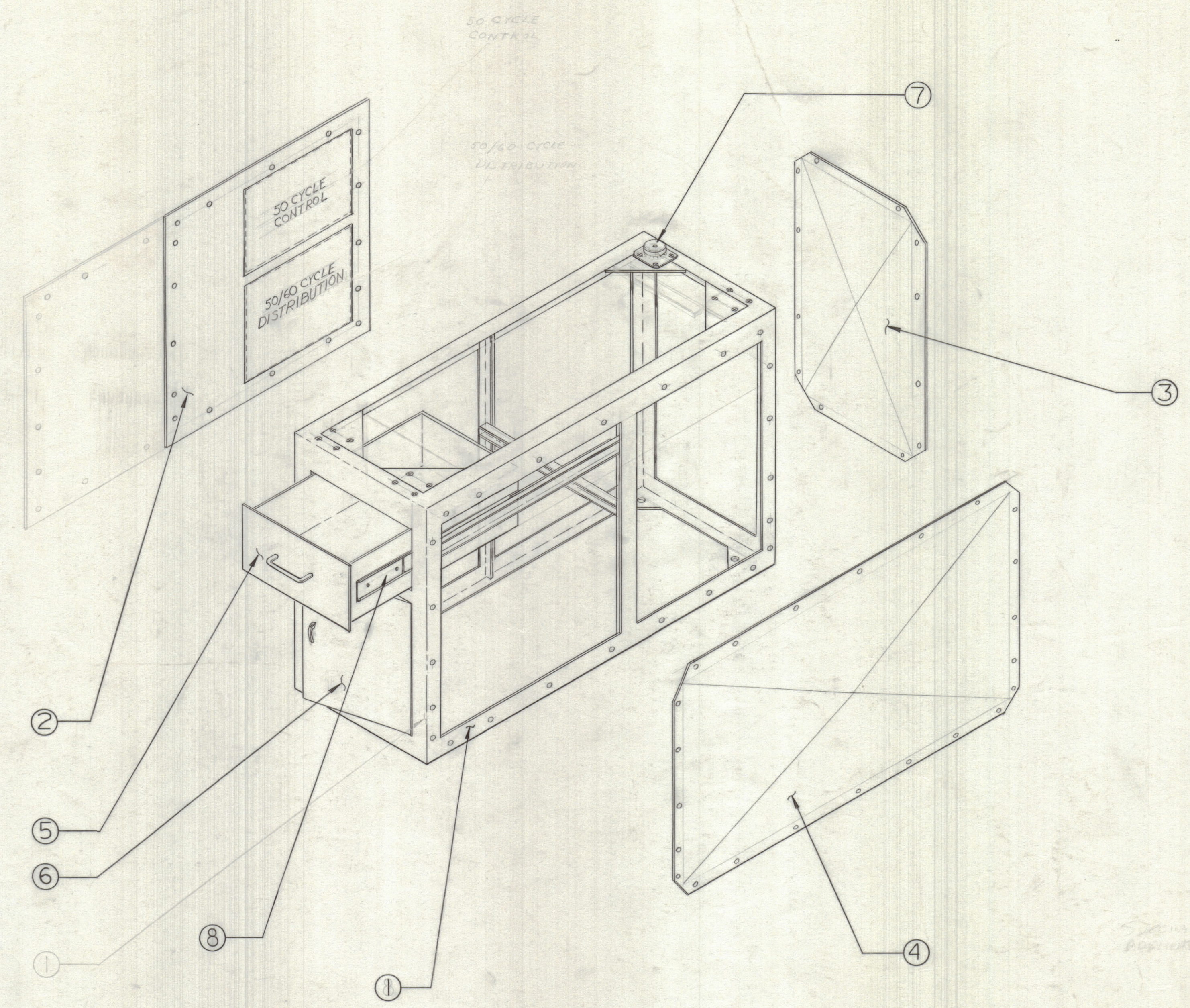


ZONE		LTR	DESCRIPTION	DATE	E.M.N.NO	DRAFT	CHKD	APPD
			ORIGINAL RELEASE FOR PRODUCTION	1/7/70			RS	



QTY. REQ.	ITEM	PART NO.	DESCRIPTION	SYMBOL
2	8	TK-105-18	TRACK & SLIDE	
4	7	C1050-T4	SHOCK ABSORBER (BARRY CONTROLS Inc.)	
	6	NOT USED		
	5	MS 8080	DRAWER, ASSY.	
	4	MS 8082	COVER, REAR	
	3	MS 8082	COVER, SIDE	
	2	MS 8015	FRONT PANEL	
	1	MS 8063	PROJECTOR BASE	

LIST OF MATERIAL			
FINAL APPROVAL	DATE	THE TECHNICAL MATERIEL CORP.	
MECH. DES.	DATE	MAMARONECK, NEW YORK	
ELECT. DES.	DATE	PROJ # 2	
CHECKED	DATE	SIZE	CODE IDENT. NO. DWG NO.
DRAWN	DATE	D 82679	A 8011
		SCALE	SHEET 1 OF 1

QTY / UNIT	MODEL USED ON	ASS'Y NO.
APPLICATION		
CODE		
MATERIAL		
FINISH		

UNLESS OTHERWISE SPECIFIED DIMENSIONS ARE IN INCHES AND INCLUDE CHEMICALLY APPLIED OR PLATED FINISHES

TOLERANCES ON
 DECIMALS .X ± .05
 .XX ± .01
 .XXX ± .005
 FRACTIONS ± 1/64
 ANGLES ± 0°-30'

MATERIAL ALUMINUM
 FINISH SEE MS 8064

NOTICE TO PERSONS RECEIVING THIS DRAWING
 THE TECHNICAL MATERIEL CORPORATION claims proprietary right in the material disclosed hereon. This drawing is issued in confidence for engineering information only and may not be reproduced or used to manufacture anything shown hereon without permission from THE TECHNICAL MATERIEL CORPORATION to the user. This drawing is loaned for mutual assistance and is subject to recall at any time.