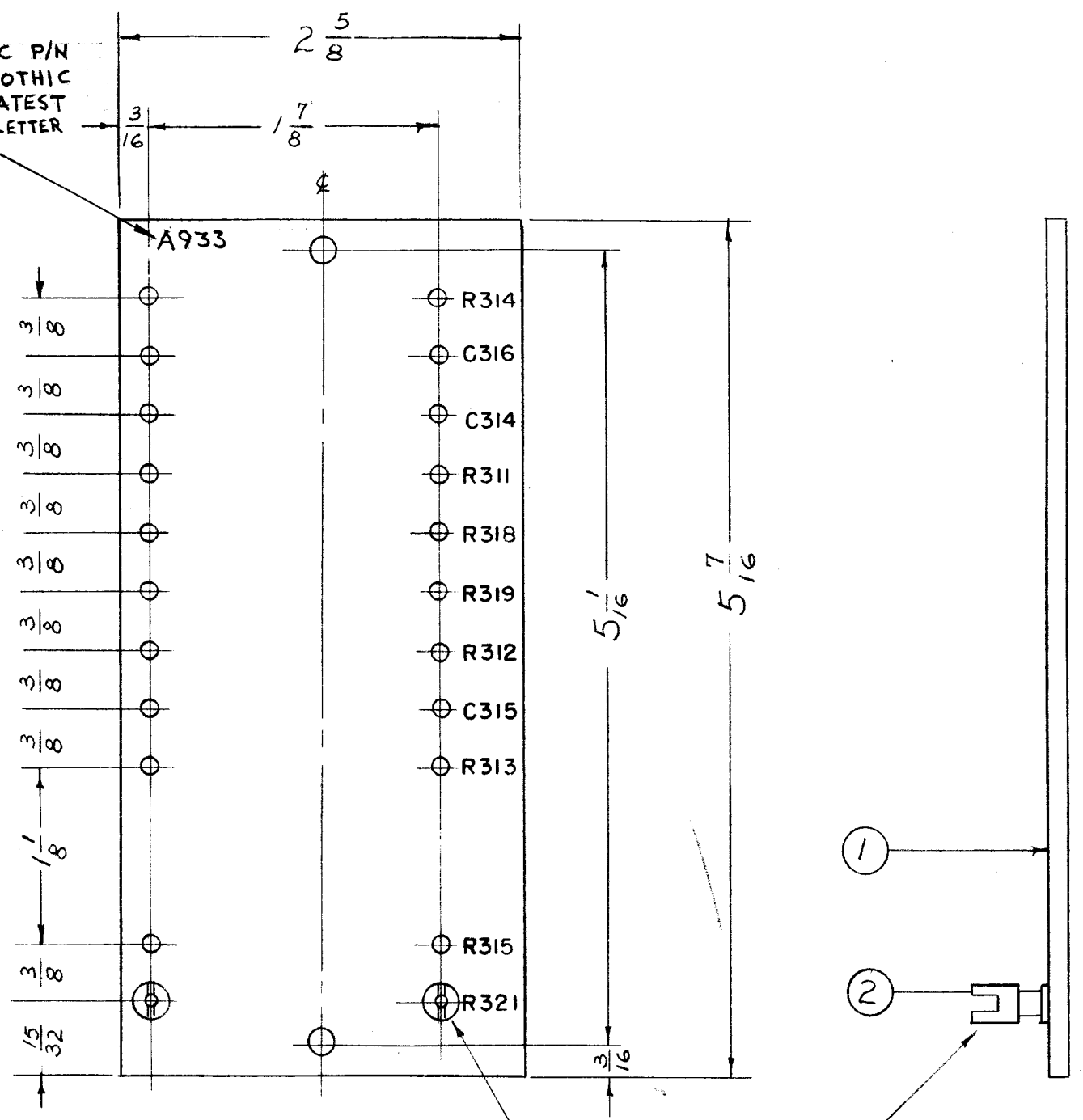


IF IT IS FOUND DESIRABLE TO CHANGE ANY TOLERANCE OR OTHER DETAIL SPECIFIED ON THIS DRAWING NOTIFY THE PURCHASER PROMPTLY.

MAXIMUM ALLOWABLE TOLERANCES HAVE BEEN DETERMINED AND DEVIATIONS WILL BE CAUSE FOR REJECTION. REMOVE ALL BURRS AND SHARP EDGES

A  
A-933

MARK TMC P/N  
1/8 HIGH GOTHIC  
WITH LATEST  
REVISION LETTER



A- 2.9 M.M. (.114) D. 22 HOLES REQ.  
B- 1/64 (.171) D. 2 " "

NOTE FINISH:  
S-113 FUNGUS RESISTANT VARNISH  
AFTER STAMPING & BEFORE LUGS  
ARE STAKED

NOTE POSITION OF LUGS  
LETTERING AS SHOWN  
1/8 HIGH BLACK GOTHIC  
MARKING PROCESS: AS PER TMC SPECIFICATION S-727

22	2	TE-109-3	TERMINAL TURRET	
1	1	PX-260	HEATER TERMINAL BD.(NO DRAWING)	
REQ. ITEM	PART NO.		DESCRIPTION	SYMBOL
1/8 THK.			THE TECHNICAL MATERIEL CORP.	
STOCK SIZE			MAMARONECK. NEW YORK	
PHENOLIC		—4—	HEATER TERMINAL BD	
MATERIAL		WEIGHT PER PC.	SUB ASSEMBLY	
XXXP LAMINATE			P.B. 2-15-55	
TYPE & TEMPER			DRAWN	ELEC. DES. APP. MECH. DES. APP.
HEAT TREAT. SPEC.			CHECKED	FINAL APPROVAL
SEE NOTE				A-933 A
FINISH & SPEC. NO.				

A	1	CLERICAL CHANGE	3-22-65	-	JL	9012	
ISSUE	ITEM	CHANGED FROM	DATE	CN. NO.	DRAFTS	CHECKER	ENG. APP.
TOLERANCES		SCALE:					
ALL OTHERS	DEC. DIM. ±	DRILL, PUNCH, COMMERCIAL STOCK					
	FRAC. DIM. ±	SIZES AND MANUFACTURERS					
	ANGULAR DIM. ±	TOLERANCES ARE NOT INCLUDED.					

1	VOX-5,6			2-26-62
1	VOX-3,4			2-26-62
1	VOX-1,2			2-15-55
REQ. PER UNIT	MODEL	PROJECT NO.	ASS'Y. NO.	DATE
USED ON				