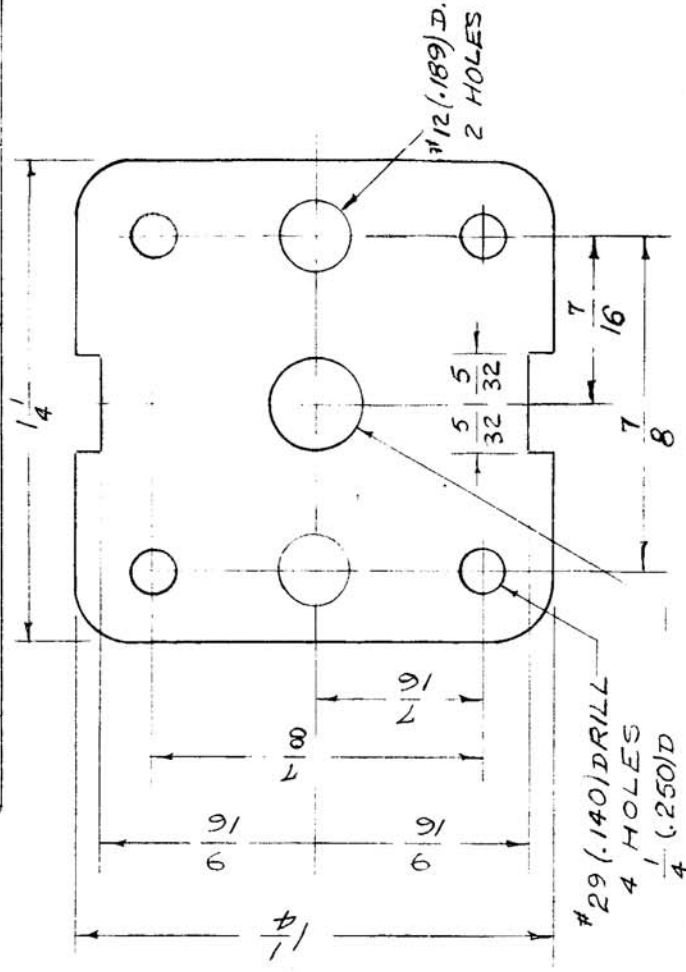
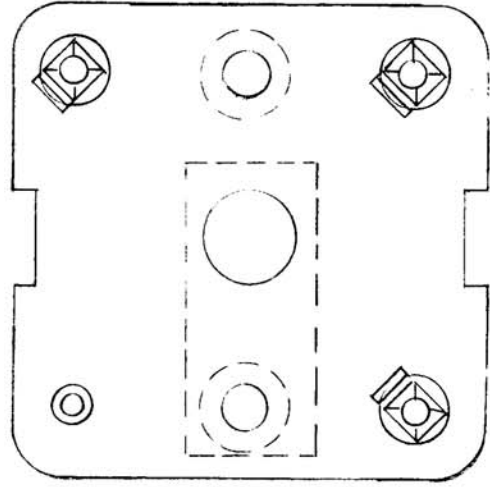
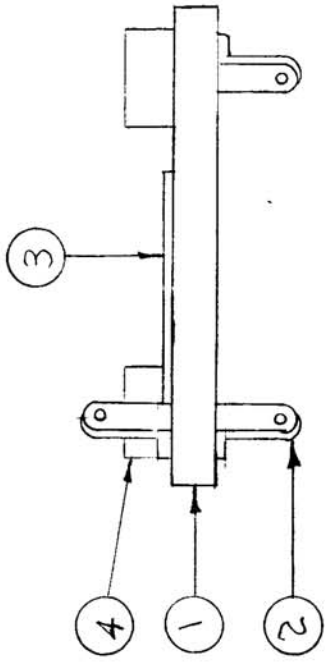


IF IT IS FOUND DESIRABLE TO CHANGE ANY TOLERANCE OR OTHER DETAIL SPECIFIED ON THIS DRAWING NOTIFY THE PURCHASER PROMPTLY.

MAXIMUM ALLOWABLE TOLERANCES HAVE BEEN DETERMINED AND DEVIATIONS WILL BE CAUSE FOR REJECTION. REMOVE ALL BURRS AND SHARP EDGES



A-942 F

USED ON	
REQ. PER UNIT	1
MODEL	GPR
PROJECT NO.	297
ASSY. NO.	A-1041
DATE	3-1-55

2	4	TE-108-6	STANDOFF
1	3	MS-132	GROUND STRAP
3	2	TE-151	LUG
1	1	PX-262	TERMINAL BOARD
REQ. ITEM	PART NO.		DESCRIPTION
			SYMBOL

1/16 THK.  
STOCK SIZE  
MATERIAL PHENOLIC  
WEIGHT PER PC. 4  
TYPE & TEMPER  
HEAT TREAT. SPEC.  
NATURAL  
FINISH & SPEC. NO.

THE TECHNICAL MATERIEL CORP.  
MAMARONECK, NEW YORK  
TERM. BD. ASSY  
2ND OSC. TANK

CD 3-1-55  
DRAWN  
ELEC. DES. APP.  
CHECKED  
FINAL APPROVAL

A-942 F

NO DWG DEL. FR IT 10.18.46 17039 WHO  
1. QTY IT 2 WAS 4  
CHANGED FROM DATE CN. NO. DRAFTS CHECKER ENG. APP.  
SCALE

TOLERANCES  
DEC. DIM. ±  
FRAC. DIM. ± Y/64  
ANGULAR DIM. ±  
DRILL, PUNCH, COMMERCIAL STOCK  
SIZES AND MANUFACTURERS  
TOLERANCES ARE NOT INCLUDED.