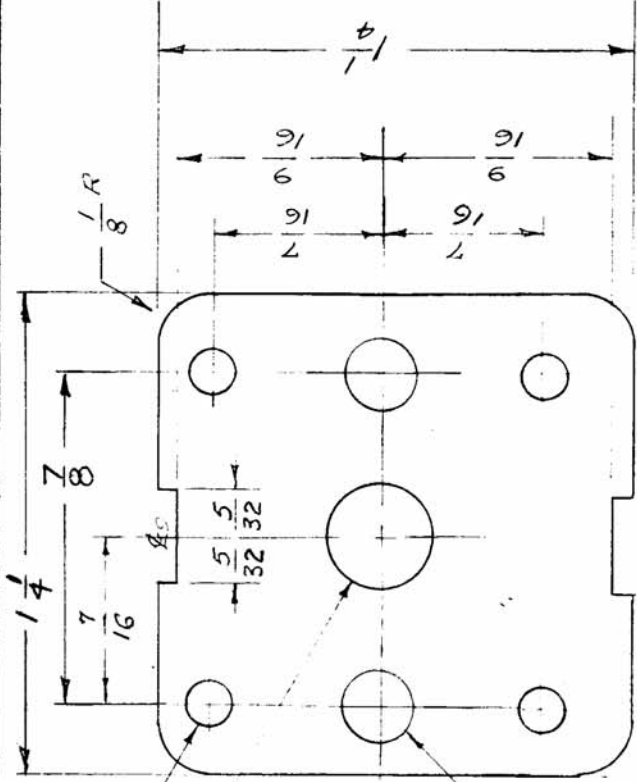
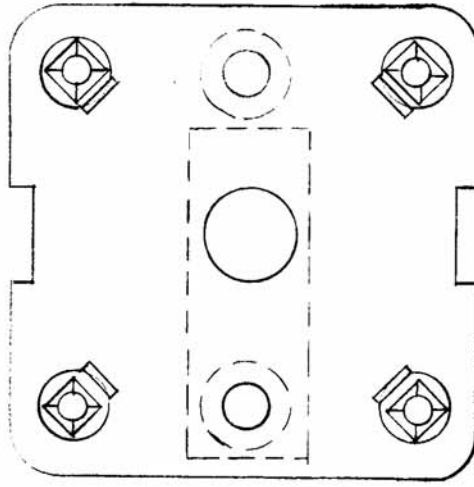
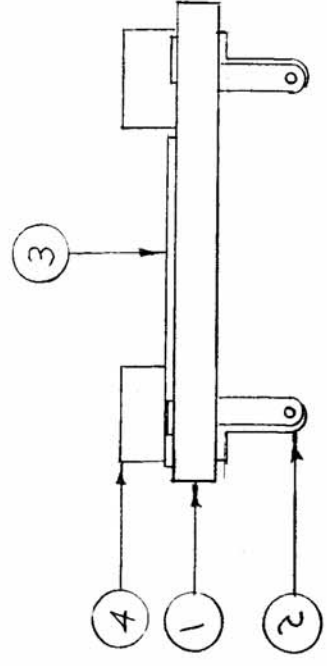


IF IT IS FOUND DESIRABLE TO CHANGE ANY TOLERANCE OR OTHER DETAIL SPECIFIED ON THIS DRAWING NOTIFY THE PURCHASER PROMPTLY.

MAXIMUM ALLOWABLE TOLERANCES HAVE BEEN DETERMINED AND DEVIATIONS WILL BE CAUSE FOR REJECTION. REMOVE ALL BURRS AND SHARP EDGES



A-977 F

REQ. PER UNIT	MODEL	PROJECT NO.	ASSY. NO.	DATE
1	GPR	297	A-1034	3-25-55
			A-1039	

REQ. ITEM	DESCRIPTION	SYMBOL
2	4 TE-108-6	STANDOFF
1	3 MS-132	GROUNDING STRAP
4	2 TE-151	LUG
1	1 PX-268	TERMINAL BOARD (NO DWG)

THE TECHNICAL MATERIEL CORP. MAMARONECK, NEW YORK	
TERM. BD. ASSY.	
1/16 THK. STOCK SIZE	1/8 R
PHENOLIC MATERIAL	XXXP LAMINATE
TYPE & TEMPER #	CDD 3-X-55 III
HEAT TREAT. SPEC. NATURAL	DRAWN G.T.O.
FINISH & SPEC. NO.	CHECKED G.T.O.
FINAL APPROVAL A-977 F	MECH. DES. APP. USC

ISSUE ITEM	CHANGED FROM	DATE	CN. NO.	DRAFTS	CHECKER	ENG. APP.
F	CLERICAL CHANGE	2-17-66	1			
E	#28(.140) DRILL WAS 297(12) DRILL	7-11-61	5215	6.D.L.		
D	COLOR CODE REMOVED	8/3/64	4	6.D.D.		
C	ITEMS 3 & 4 ADDED	10-12-65	3	B		
B	MACHINING DETAIL ADD.	6-21-55	2	B		
A	COMPLETE REVISION	6/19/55	1	6.D.D.		

TOLERANCES
 DEC. DIM. \pm
 FRAC. DIM. \pm .004
 ANGULAR DIM. \pm

DRILL, PUNCH, COMMERCIAL STOCK
 SIZES AND MANUFACTURERS
 TOLERANCES ARE NOT INCLUDED.