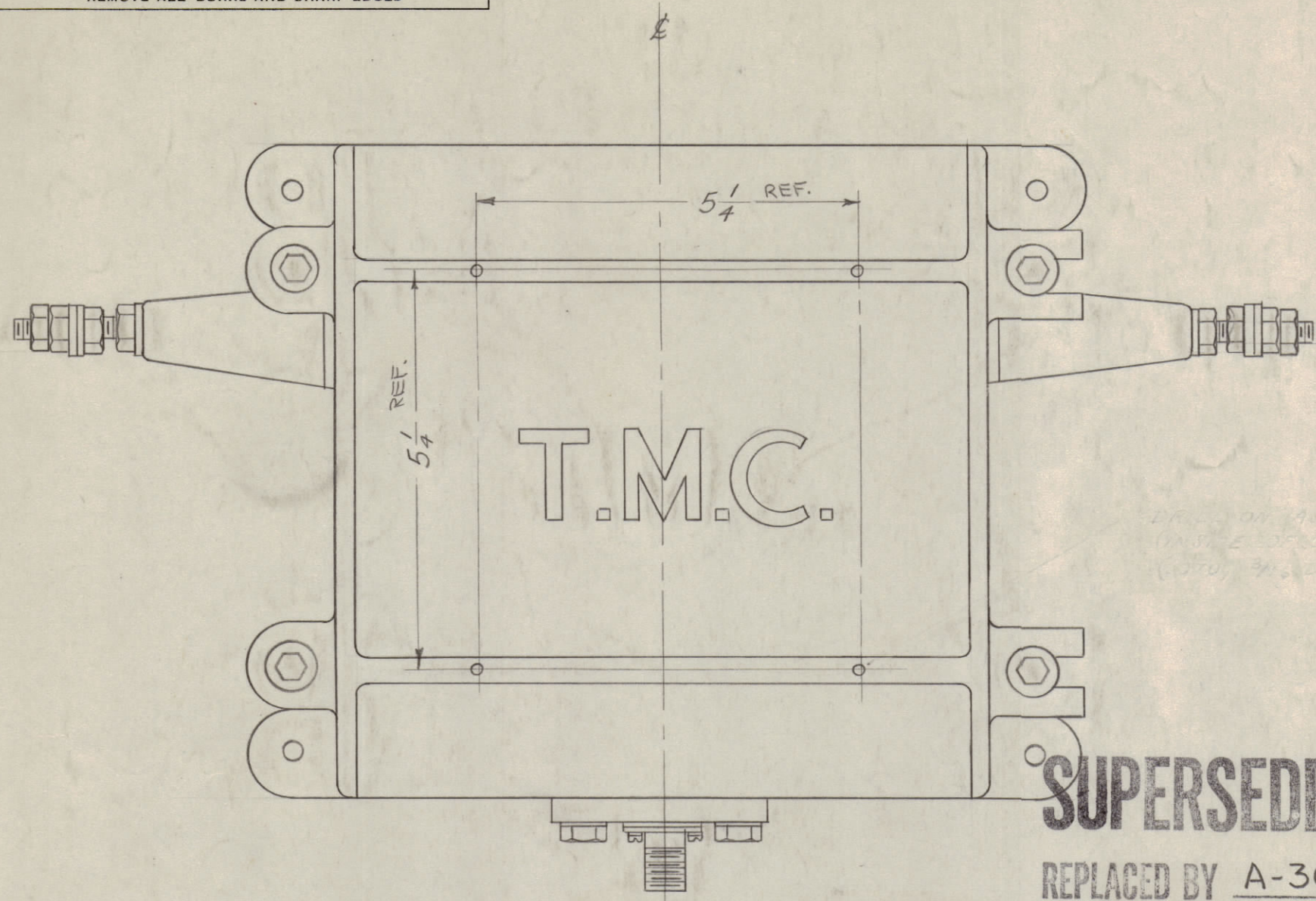


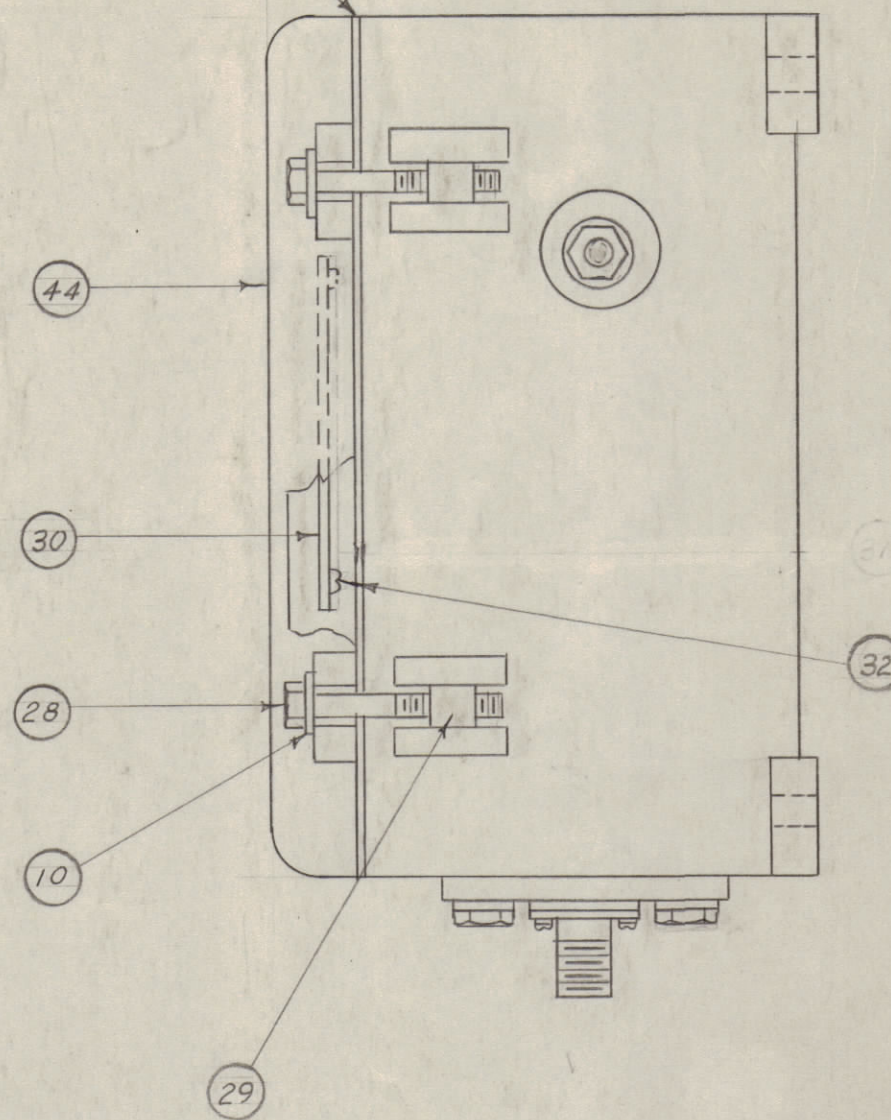
IF IT IS FOUND DESIRABLE TO CHANGE ANY TOLERANCE OR OTHER DETAIL SPECIFIED ON THIS DRAWING NOTIFY THE PURCHASER PROMPTLY.

MAXIMUM ALLOWABLE TOLERANCES HAVE BEEN DETERMINED AND DEVIATIONS WILL BE CAUSE FOR REJECTION. REMOVE ALL BURRS AND SHARP EDGES

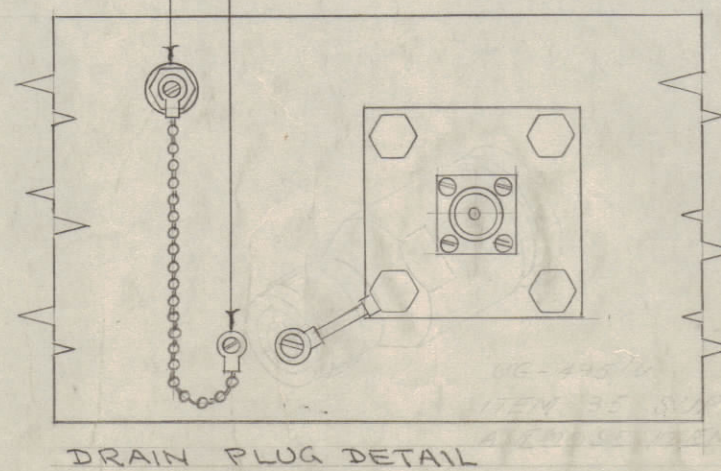
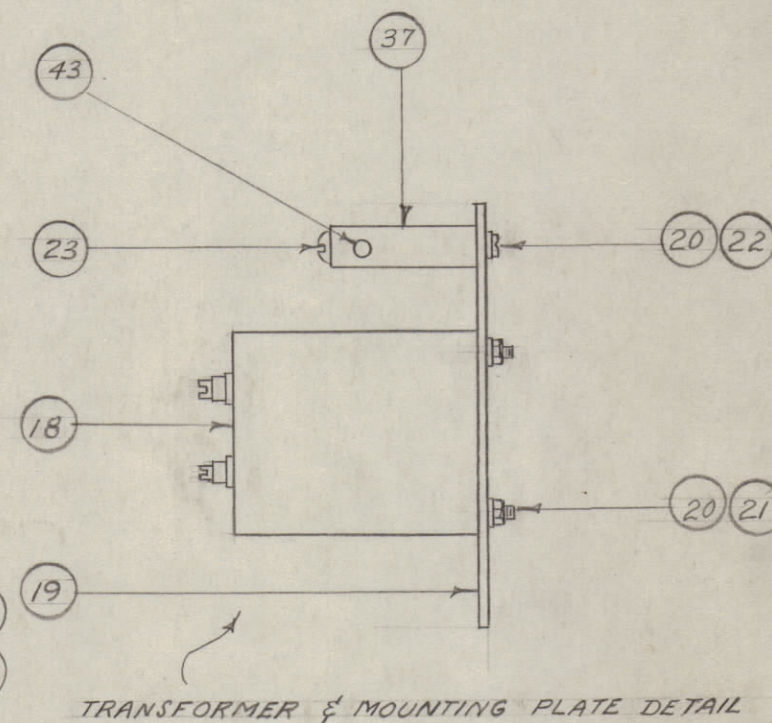
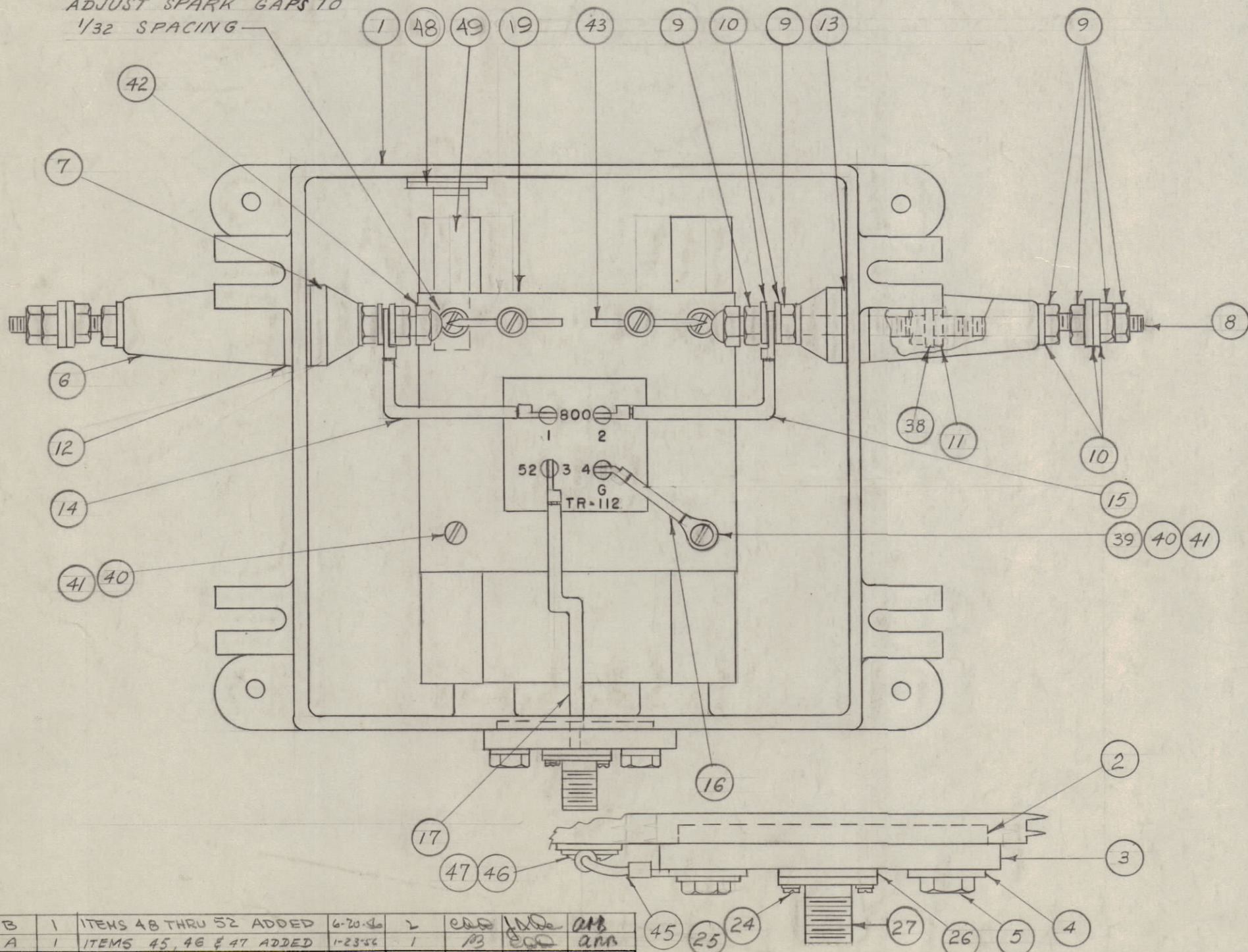


SUPERSEDED
REPLACED BY A-3080-10

CEMENT ITEM 33 TO ITEM 44 WITH ITEM 34



ADJUST SPARK GAPS TO 1/32 SPACING



RECEPTACLE & FLANGE DETAIL

B	1	ITEMS 48 THRU 52 ADDED	6-20-56	2	CD	MD	AMB
A	1	ITEMS 45, 46 & 47 ADDED	1-23-56	1	MB	EGG	AMB
ISSUE	ITEM	CHANGED FROM	DATE	CN. NO.	DRAFTS	CHECKER	ENG. APP.
		TOLERANCES		SCALE:			
ALL OTHERS		DEC. DIM. ± FRAC. DIM. ± ANGULAR DIM. ±	DRILL, PUNCH, COMMERCIAL STOCK SIZES AND MANUFACTURERS TOLERANCES ARE NOT INCLUDED.				

D	"SUPERSEDED" NOTE ADDED	6.9.64	11509	ASB	2	MMK
C	ITEM 31 DELETED WAS PX-115 ITEM 47 WAS SCBS1032SS4, 46 WAS LWS10MRC ITEM 52 WAS LWE06MRC, 51 WAS SCBS0632BC6	8-17-62	1076	EG	1	LE
ISSUE	CHANGED FROM	DATE	CN. NO.	DRAFT	CHECK	ENG

1	52	LWE06M55	WASHER, LOCK
1	51	SCBS0632SS3	SCREW, MACHINE
1	50	A-1291	DRAIN PLUG ASSY.
1	49	MS-933	HOLDER, DESSICANT
2	48	AD-101-1/6	DESSICANT
1	47	SCBS1032SS4	SCREW, MACHINE
1	46	LWS10M55	LOCKWASHER
1	45	A-1164	GROUND STRAP, CASE
1	44	PM-105	COVER
2	43	PM-103	SPARK ROD
2	42	NYC2520BCL	NUT, CAP
4	41	SCBS0832BC6	SCREW, MACH.
4	40	LWE08MRC	WASHER, LOCK
1	39	FW08MBC	WASHER, FLAT
2	38	FW25LBC	WASHER, FLAT
2	37	PM-102	POST
X	36	BS-100	SOLDER, SOFT
1	35	UG-495/U	PLUG (LOOSE ITEM)
X	34	GL-101-2	CEMENT, PLIOBOND
1	33	GA-103	GASKET, COVER
4	32	SC-102-1	SCREW, THD. CUTTING
	31	H	DELETED
1	30	LD-219	SCHEMATIC, DIAGRAM
4	29	PM-100	PIN COVER BOLT
4	28	SC-108-9	BOLT, HEX
1	27	UG-496/U	RECEPTACLE
1	26	GA-116	GASKET
4	25	SCBS0440SS6	SCREW, MACH.
4	24	LWS04M55	WASHER, LOCK
2	23	SCRS0632SC6	WASHER, SCREW
2	22	SCBS0632BC6	SCREW, MACH.

NOTE: ITEM 35 IS SUPPLIED AS A LOOSE ITEM, INSIDE CASE.

A-990 D

4	21	NTH0932BC8	NUT, HEX
6	20	LWE06MRC	LOCK, WASHER
1	19	MS-100	MOUNTING PLATE
1	18	TR-112	TRANSFORMER
1	17	A-987	CONNECTOR, COAX
1	16	A-986	CONNECTOR, GROUND
1	15	A-848	CONNECTOR, INSULATOR, (RIGHT)
1	14	A-849	CONNECTOR, INSULATOR, (LEFT)
2	13	GA-101	GASKET
2	12	GA-100	GASKET
2	11	GA-104	GASKET
16	10	FW25M55	WASHER, FLAT
12	9	NTH2520SS14	NUT, HEX
2	8	A-100	STUD, SUB ASS'Y.
2	7	NS-101	INSULATOR, INSIDE
2	6	NS-100	INSULATOR, OUTSIDE
4	5	SC-108-4	BOLT, HEX
4	4	LWS25M55	WASHER, LOCK
1	3	PM-245	FLANGE
1	2	GA-102	GASKET
1	1	PM-106	CASE

REQ. ITEM	PART NO.	DESCRIPTION	SYMBOL
THE TECHNICAL MATERIEL CORP. MAMARONECK, NEW YORK			
STOCK SIZE			
CASE & COVER ASSEMBLY			
MATERIAL WEIGHT PER PC. RAC-12			
TYPE & TEMPER		MB-4-6-55	WJC
HEAT TREAT. SPEC.		DRAWN	ELEC. DES. APP. MECH. DES. APP.
FINISH & SPEC. NO.		CHECKED	FINAL APPROVAL
		A-990 D	

RAC-12	PROJECT NO.	ASS'Y. NO.	DATE
MODEL			4-6-55
USED ON			