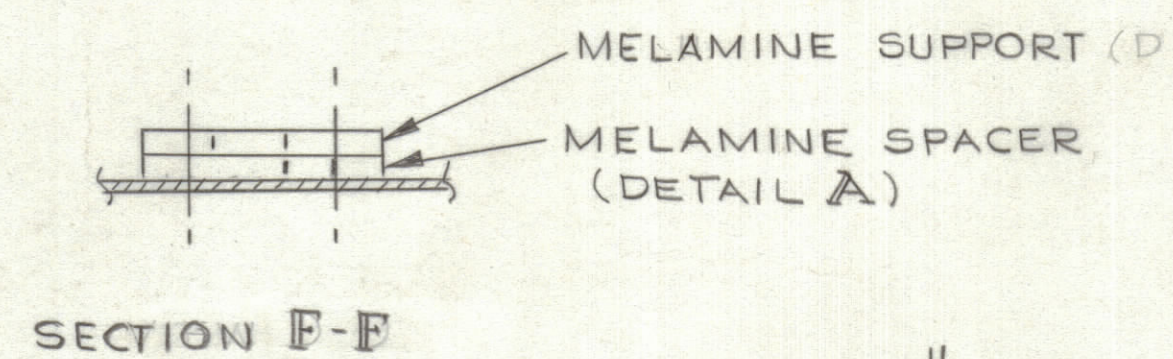


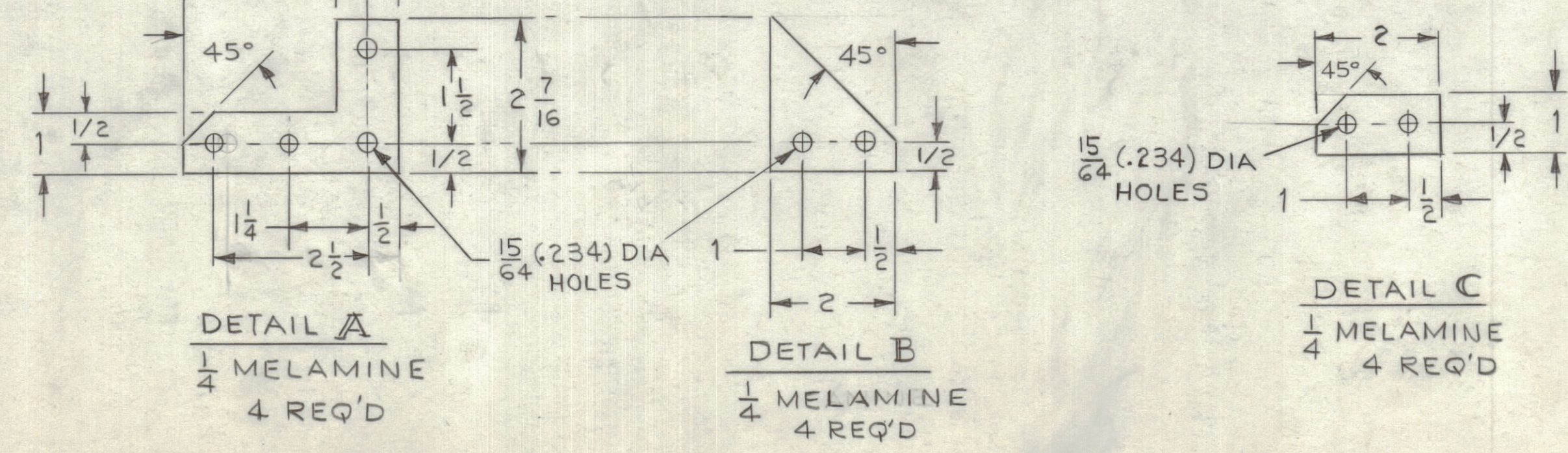
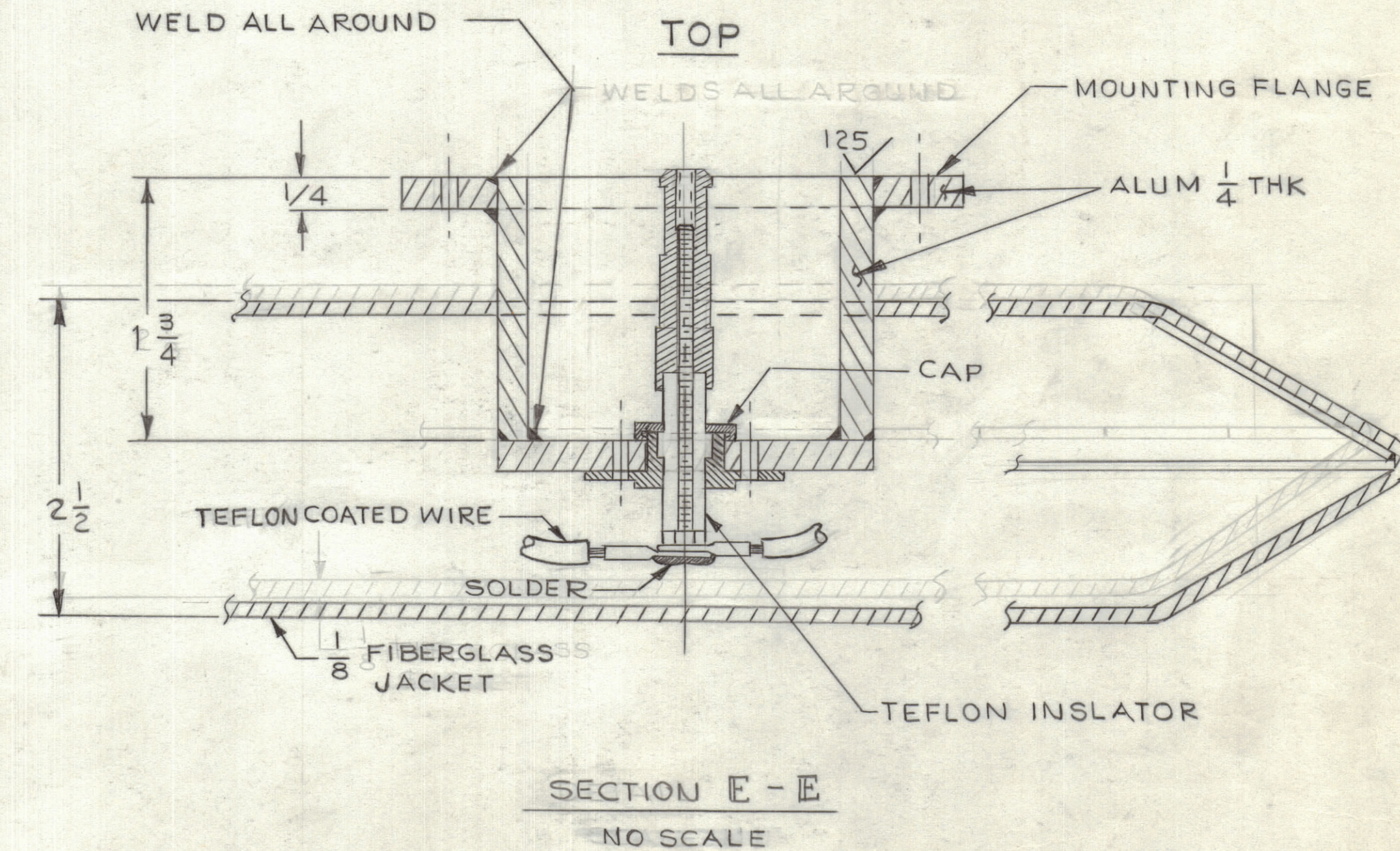
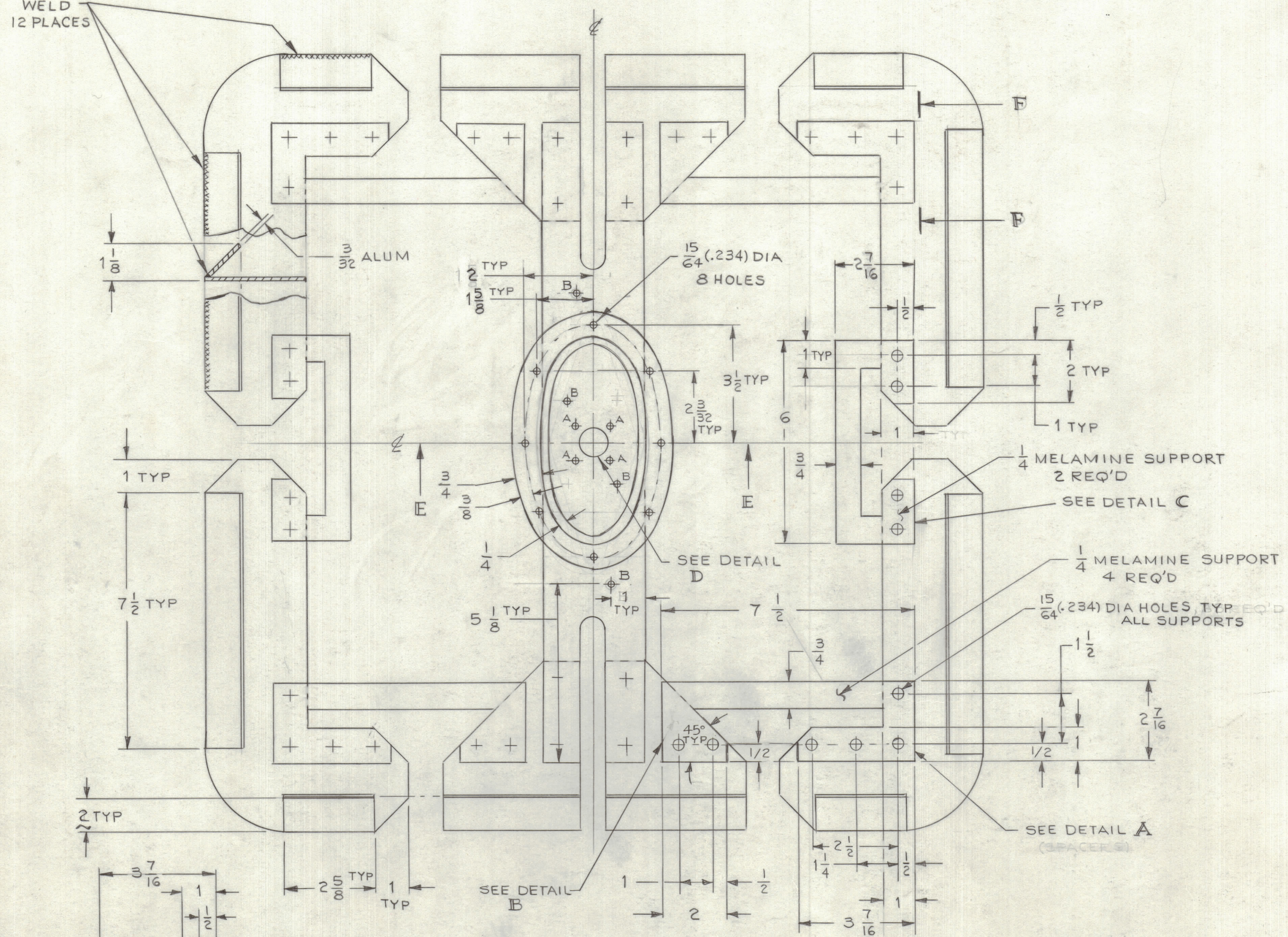
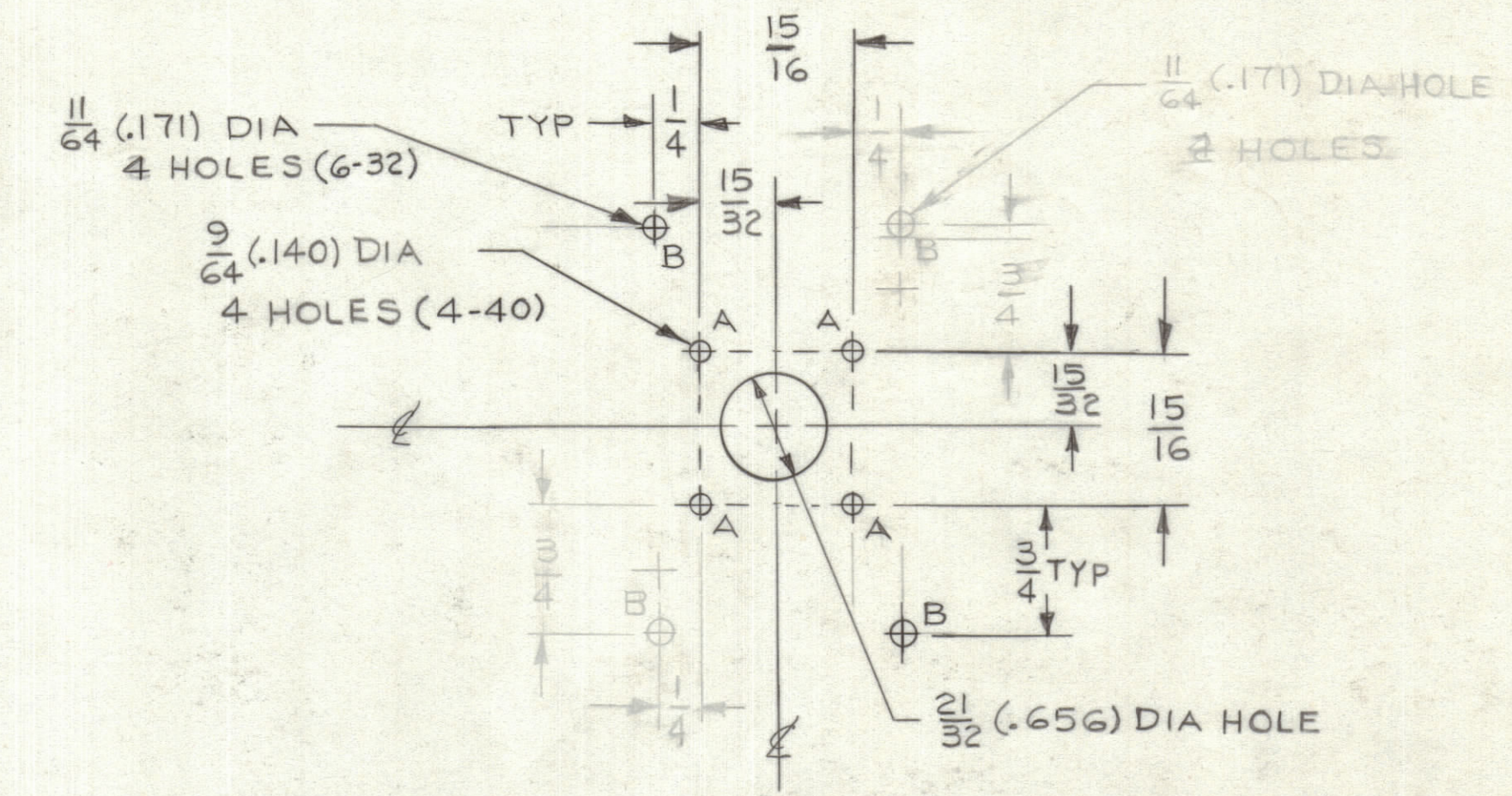
		REVISIONS					
ZONE	LTR	DESCRIPTION	DATE	E.M.N.NO	DRAFT	CHKD	APPD
	0	ORIGINAL RELEASE FOR PRODUCTION	5/26/67	4	GE		

WELD 12 PLACES



TOP VIEW

SECTION F-F



DO NOT SCALE - USE DIMENSIONS

QTY / UNIT	MODEL USED ON	ASSY NO.
APPLICATION		
CODE		
MATERIAL		
FINISH		

QTY. REQ.	ITEM	PART NO.	DESCRIPTION	SYMBOL
LIST OF MATERIAL				
FINAL APPROVAL		DATE	THE TECHNICAL MATERIEL CORP.	
MECH. DES.		5/19/69	MAMARONECK, NEW YORK	
ELECT. DES.		DATE	PANCAKE ANTENNA	
CHECKED		DATE	LOWER	
GEO. ORLANDI		12-14-67		
DRAWN		DATE		
Amiska		12-9-67		

QTY. REQ.	ITEM	PART NO.	DESCRIPTION	SYMBOL
LIST OF MATERIAL				
FINAL APPROVAL		DATE	THE TECHNICAL MATERIEL CORP.	
MECH. DES.		5/19/69	MAMARONECK, NEW YORK	
ELECT. DES.		DATE	PANCAKE ANTENNA	
CHECKED		DATE	LOWER	
GEO. ORLANDI		12-14-67		
DRAWN		DATE		
Amiska		12-9-67		

NOTICE TO PERSONS RECEIVING THIS DRAWING
THE TECHNICAL MATERIEL CORPORATION claims proprietary right in the material disclosed herein. This drawing is issued in confidence for engineering information only and may not be reproduced or used to manufacture anything shown hereon without permission from THE TECHNICAL MATERIEL CORPORATION to the user. This drawing is loaned for mutual assistance and is subject to recall at any time.