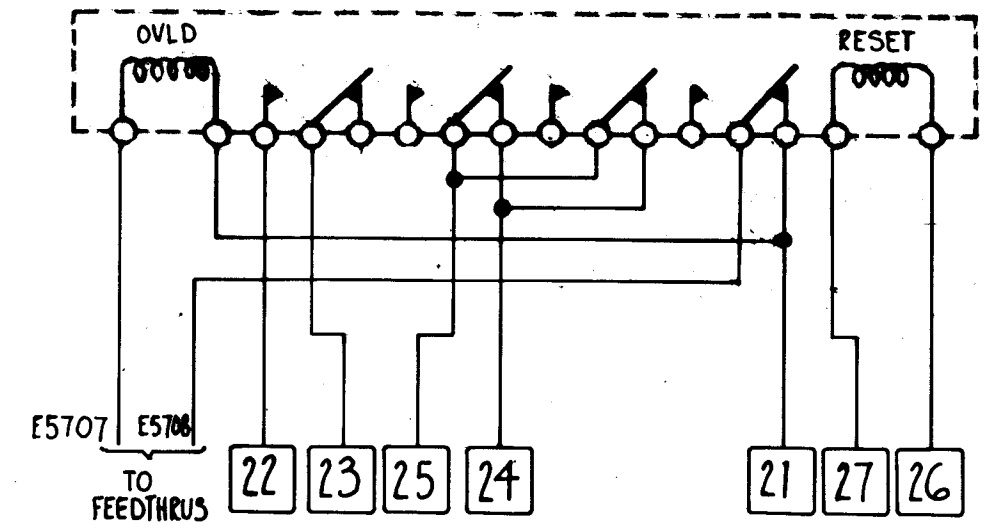
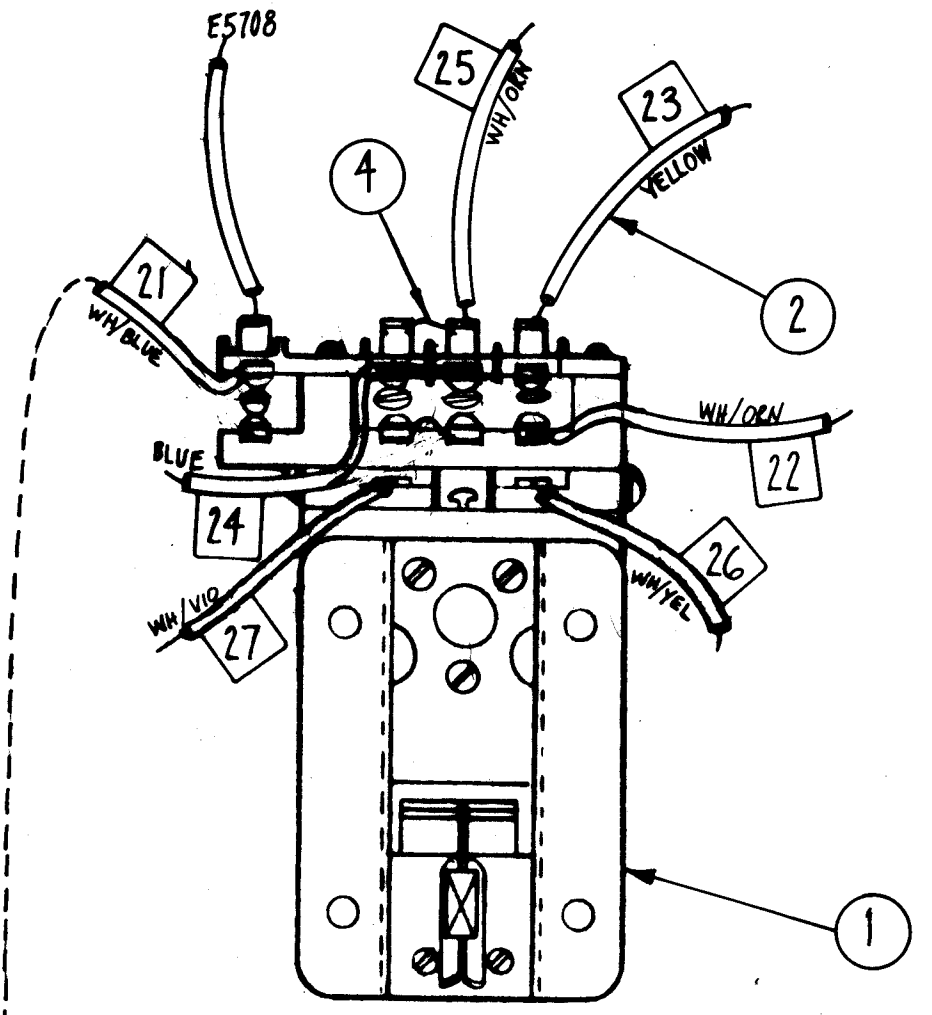
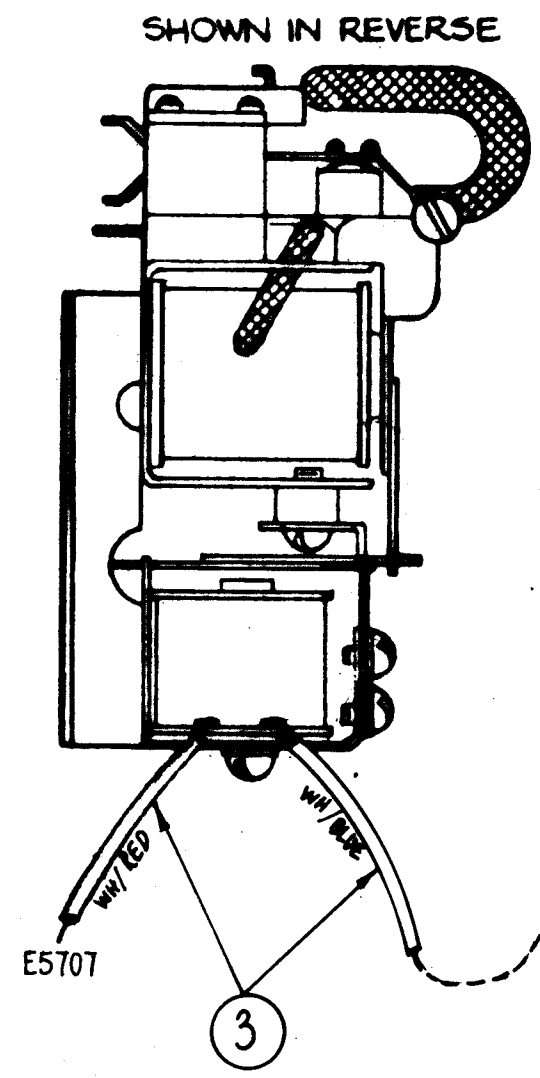


AR-148 B



B		WIRES IN HOLE FULLY SOLDERED - OPEN SET LAMP AIR	62365	14317	DMV	JCT	
0	1	ORIGINAL RELEASE FOR PROD.	4-24-64		SRG		
A	1	REDRAWN & REVISED					
ISSUE	ITEM	CHANGED FROM	DATE	CH. NO.	DRAFTS	CHECKER	ENG. APP.
TOLERANCES			SCALE:				
DEC. DIM. ±		MAXIMUM ALLOWABLE TOLERANCES HAVE BEEN DETERMINED AND ANY DEVIATIONS WILL BE CAUSE FOR REJECTION. REMOV: ALL BURRS AND SHARP EDGES					
FRAC. DIM. ±							
ANGULAR DIM. ±							
CODE							
A							

1	GPT-200K	AR-138		12-26-63
REQ. PER UNIT	MODEL	PROJECT NO.	ASSY. NO.	DATE

X	5	BS-100	SOLDER, SOFT	
X	4	WL-100-G	WIRE, BUSS #20	
1	3	CA-784	CABLE ASSY, GRID OVL RELAY B-	
1	2	CA-766	CABLE ASSY, GRID OVL RELAY	
1	1	RL-125	RELAY ARMATURE	
REQ. ITEM	PART NO.	F. BUDETTI		SYMBOL
STOCK SIZE		THE TECHNICAL MATERIEL CORP. MAMARONECK, NEW YORK		
MATERIAL		RELAY ASSY, GRID OVL (RELAY 'B')		
		W.A. FRANCO	aa	RK
TYPE & TEMPER		DRAWN		CHECKED
		JBA		SD
FINISH & SPEC. NO.		AR-148		B