

STANDARD DRAWING

AT10002

IF IT IS FOUND DESIRABLE TO CHANGE ANY TOLERANCE OR OTHER DETAIL SPECIFIED ON THIS DRAWING NOTIFY THE PURCHASER PROMPTLY.

MAXIMUM ALLOWABLE TOLERANCES HAVE BEEN DETERMINED AND DEVIATIONS WILL BE CAUSE FOR REJECTION. REMOVE ALL BURRS AND SHARP EDGES

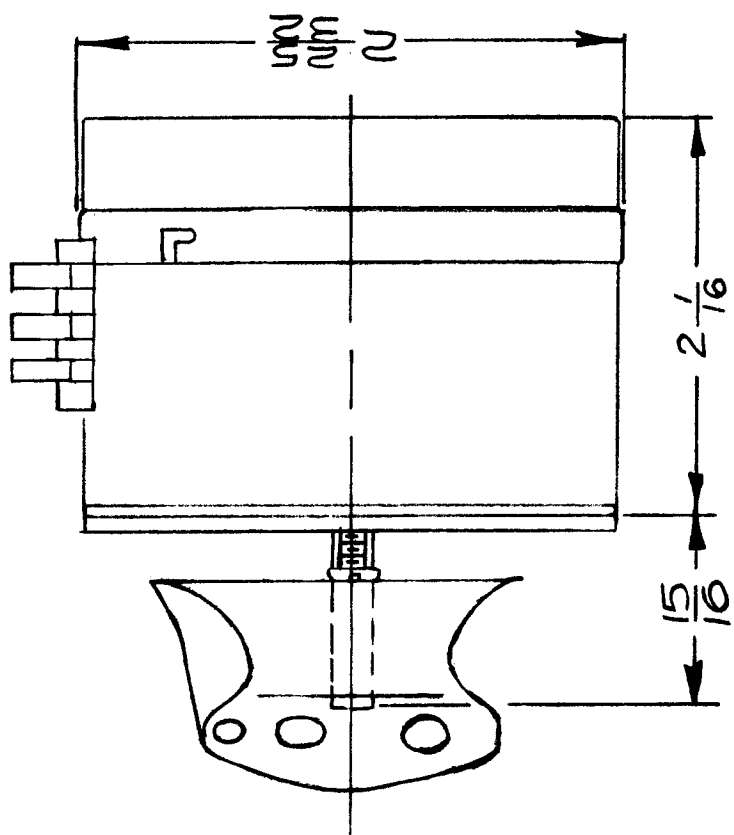
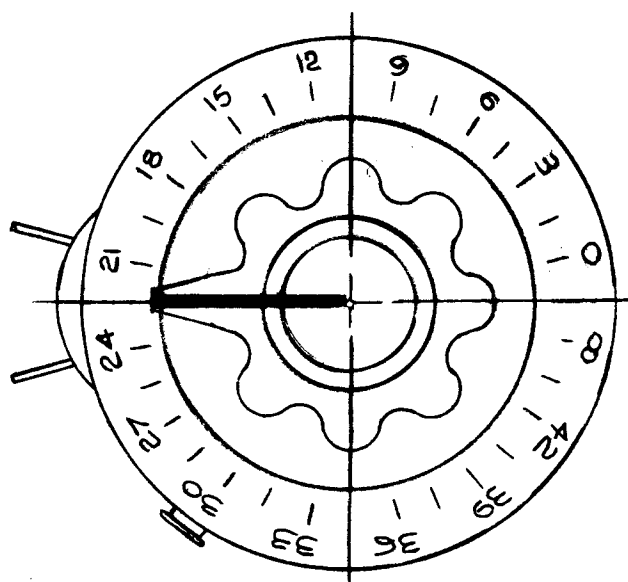
USED ON

MODEL PROJECT NO. ASSY. NO. DATE

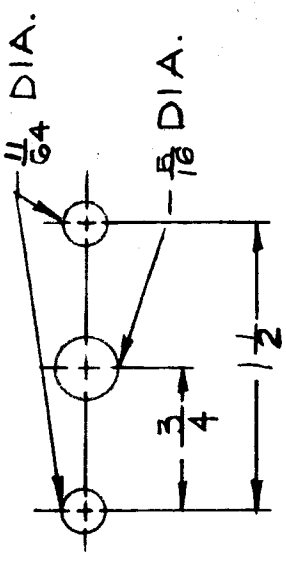
PCA-1 CE5004-B

JAN. 20/60

REF: DAVEN TYPE: CP-632-T TO BE SUPPLIED WITH DIAL & KNOB AS SHOWN.



MOUNTING HOLES



REQ. ITEM	PART NO.	DESCRIPTION	SYMBOL
		TMC (Canada) LIMITED OTTAWA	
		ATTENUATOR	
		FOR PCA-1	
		JPC	
		DRAWN	M. Kh.
		ELEC. DES. APP.	
		CHECKED	
		MECH. DES. APP.	
		FINAL APPROVAL	
			AT10002

ISSUE ITEM	CHANGED FROM	DATE	CN. NO.	DRAFTS	CHECKER	ENG. APP.
TOLERANCES						
DEC. DIM.	±					
FRAC. DIM.	± 1/64					
ANGULAR DIM.	±					
DRILL, PUNCH, COMMERCIAL STOCK SIZES AND MANUFACTURERS TOLERANCES ARE NOT INCLUDED.						