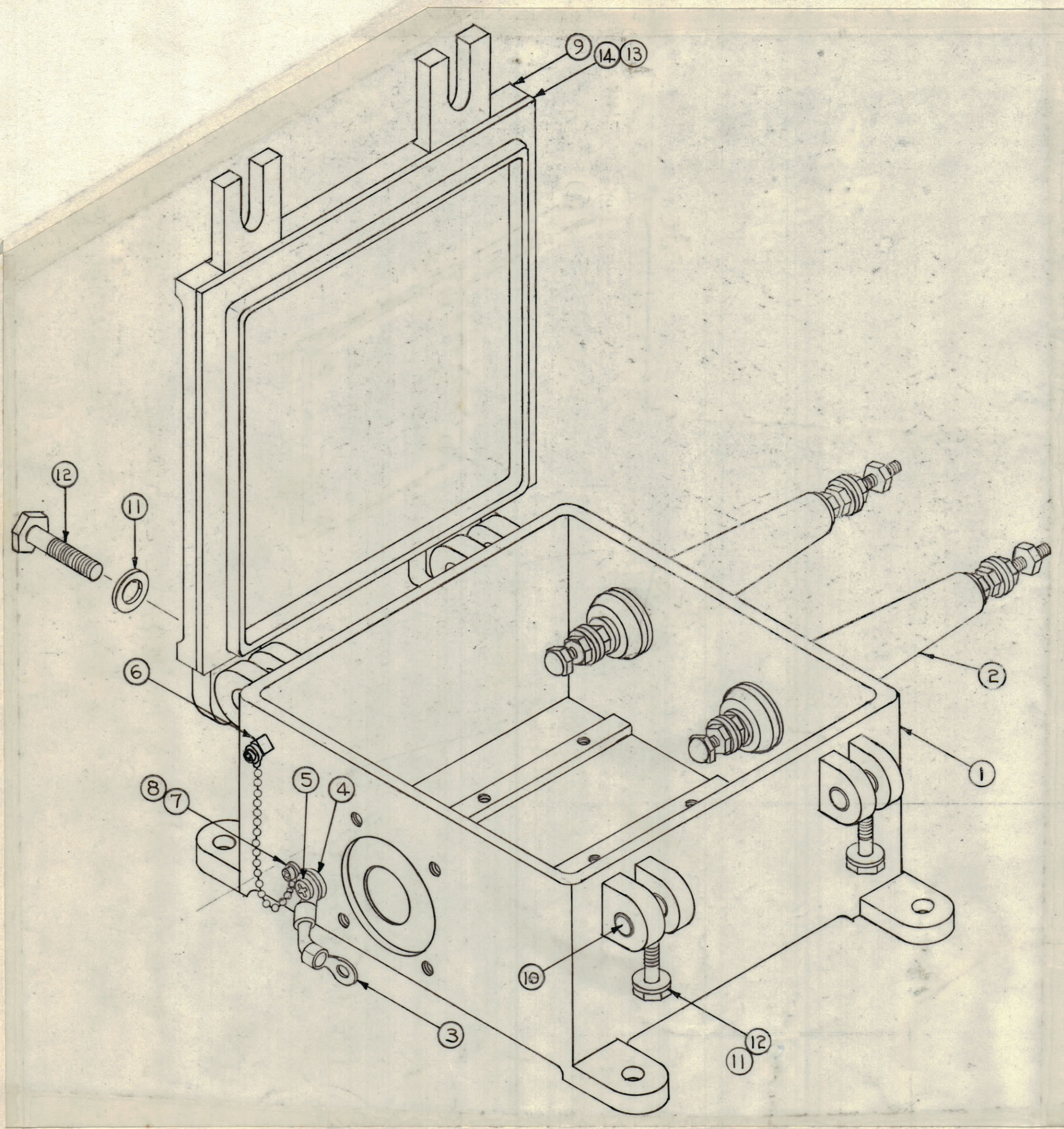


REVISIONS						
ZONE	SYM	DESCRIPTION	DATE	E.M.N. NO.	DRAFT	CHKD
-	X	EXPER. RELEASE	3/9/64	1	SP	
-	O	ORIGINAL RELEASE FOR PRODUCTION	3/16/64			



REQ'D.	ITEM	PART NUMBER	DESCRIPTION	SYMBOL
X	14	GL-101-2	CEMENT, PLIOBOND	
1	13	GA-103	GASKET, COVER	
4	12	SCHH2520SS14	BOLT, MACHINE, HEX HEAD	
4	11	FW25HSS	WASHER, FLAT	
4	10	PM-100	NUT, PLAIN, BARREL	
1	9	PM-105	COVER	
1	8	LWE06MSS	LOCKWASHER, EXTERNAL	
1	7	SCBP0632SS3	SCREW, MACHINE	
1	6	A-1291	DRAIN PLUG ASSEMBLY	
1	5	SCBP1032SS4	SCREW, MACHINE	
1	4	LWE10MSS	LOCKWASHER, EXTERNAL	
1	3	A-1164	STRAP, GROUND ASSY	
2	2	A-102	INSULATOR ASSY.	
1	1	PM-372	CASE	

LIST OF MATERIAL				
MATERIAL	THE TECHNICAL MATERIEL CORP. MAMARONECK, NEW YORK			
FINISH	TITLE CASE AND COVER ASSEMBLY			
UNLESS OTHERWISE SPECIFIED DIMENSIONS ARE IN INCHES AND INCLUDE CHEMICALLY APPLIED OR PLATED FINISHES	DRAWN <i>S. Swan</i>	DATE 3-10-64	FINAL APPROVAL <i>RC</i>	DATE
DECIMALS X ± .05 .XX ± .01 .XXX ± .005	CHECKED <i>HQ</i>	DATE 3/11/64	AX-480-0	
TOLERANCES	ELECT. DES.	DATE 3/16/64	SHEET	REV. LTR.
FRACTIONS ± 1/64 ANGLES ± 0° 30'	MECH. DES. <i>MM</i>			

1	RAC-7A	A-3490-1
1	RAC-44	A-3490-2
QTY./UNIT	MODEL USED ON	ASS'Y. NO.
SCALE	CODE A	

NOTES

THE CONTENTS OF THIS DRAWING ARE THE EXCLUSIVE PROPERTY OF THE TECHNICAL MATERIEL CORP. ITS UNAUTHORIZED USE OR REPRODUCTION IN WHOLE OR IN PART IS STRICTLY FORBIDDEN.

AX-480-0