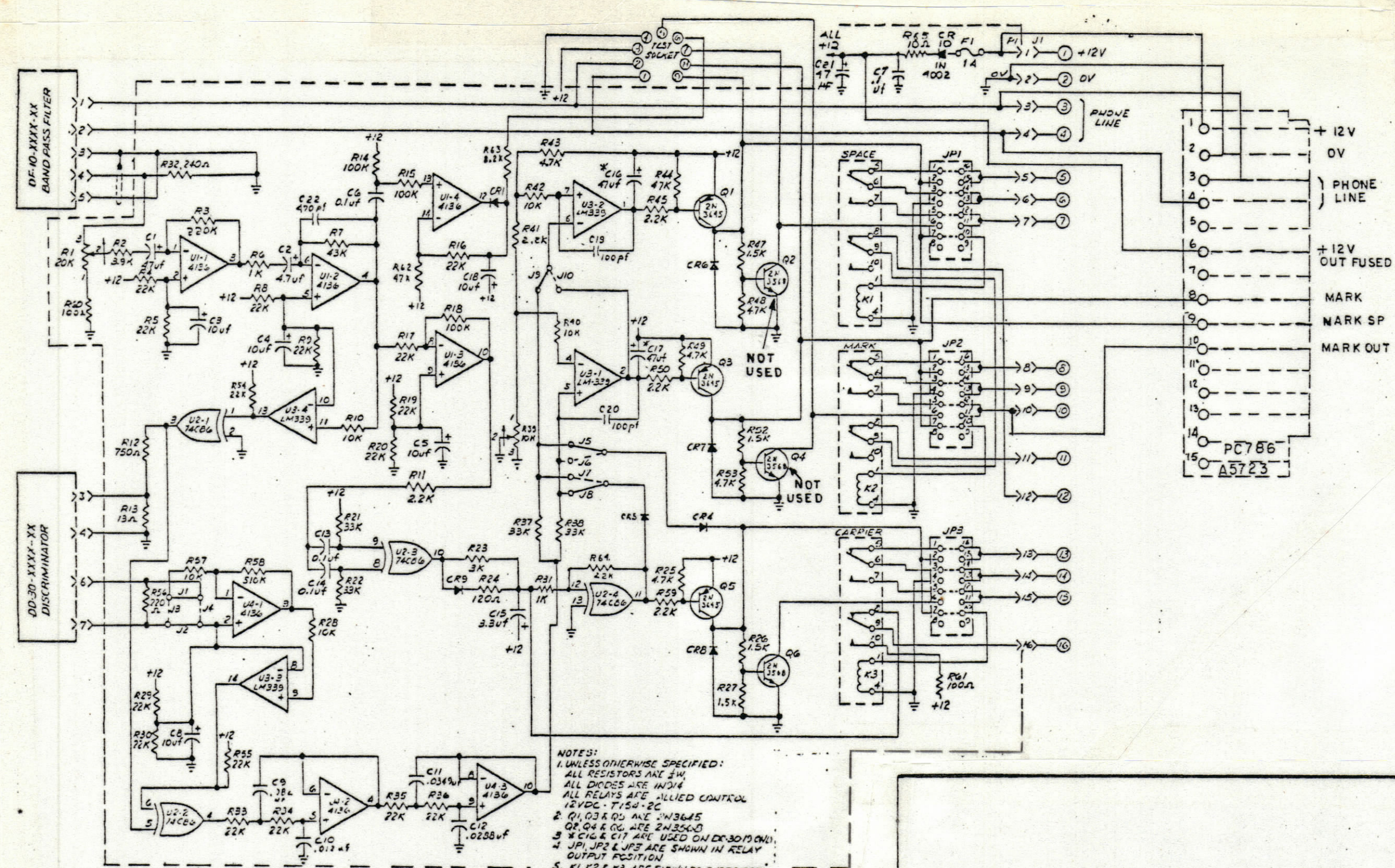
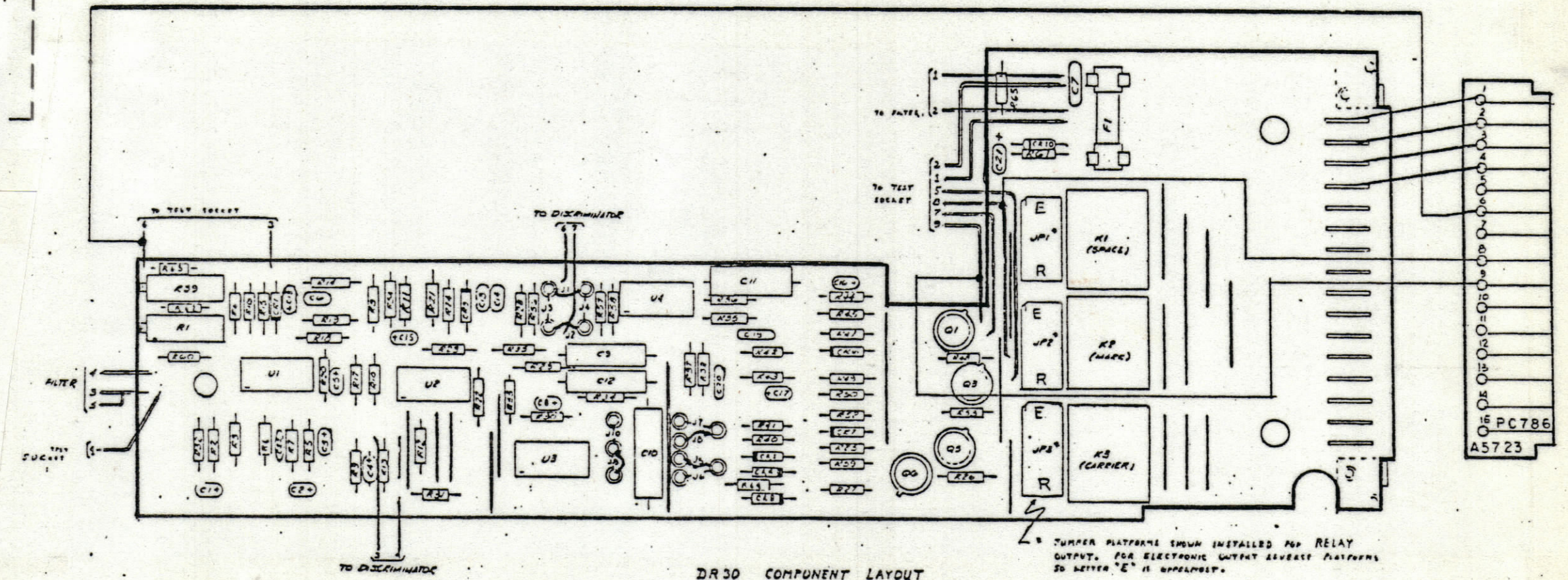


| REVISIONS | | | | | | |
|-----------|-----|------------------|--------|----------|-------|-----------|
| ZONE | LTR | DESCRIPTION | DATE | E.M.N.NO | DRAFT | CHKD APPD |
| | | ORIGINAL RELEASE | 7-9-80 | | dw | |



- AX5223
(PROGRAMER)
Z102- 425HZ
Z104- 595HZ
- AX5224
(DECODER)
Z105- 765HZ
Z107- 425HZ
Z109- 595HZ

NOTES:
1. UNLESS OTHERWISE SPECIFIED:
ALL RESISTORS ARE 1/4"
ALL DIODES ARE IN14
ALL RELAYS ARE ALLIED CONTROL
12VDC - T154-2C
2. Q1, Q2 & Q3 ARE 2N3645
Q4, Q5 & Q6 ARE 2N3640
3. C1 & C2 ARE USED ON DD-30 ONLY
4. J1, J2 & J3 ARE SHOWN IN RELAY
OUTPUT POSITION
5. K1, K2 & K3 ARE SHOWN DE-ENERGIZED.



| REF. DAQ ELECTRONICS INC DR30 FSK | | | | QTY. REQ. | ITEM | PART NO. | DESCRIPTION | SYMBOL |
|---|-----|----------------------|-----------|----------------|------|--|-------------|--------|
| AX5223 | 1 | AX790-0425 (PROG) | BMA539 | | | | | |
| AX5223 | 1 | AX790-0595 (PROG) | BMA539 | | | | | |
| AX5224 | 1 | AX790-0765 (DECODER) | BMA540 | | | | | |
| AX5224 | 1 | AX790-0425 (DECODER) | BMA540 | | | | | |
| AX5224 | 1 | AX790-0595 (DECODER) | BMA540 | | | | | |
| | QTY | MODEL USED ON | ASS'Y NO. | | | | | |
| APPLICATION | | | | | | | | |
| CODE | | | | | | | | |
| MATERIAL | | | | | | | | |
| FINISH | | | | | | | | |
| NOTICE TO PERSONS RECEIVING THIS DRAWING | | | | | | | | |
| THE TECHNICAL MATERIEL CORPORATION claims proprietary right in the material disclosed herein. This drawing is issued in confidence for engineering information only and may not be reproduced or used to manufacture anything shown herein without permission from THE TECHNICAL MATERIEL CORPORATION to the user. This drawing is loaned for mutual assistance and is subject to recall at any time. | | | | | | | | |
| | | | | FINAL APPROVAL | DATE | THE TECHNICAL MATERIEL CORP. MAMARONECK, NEW YORK | | |
| | | | | MECH. DES. | DATE | | | |
| | | | | ELECT. DES. | DATE | | | |
| | | | | CHECKED | DATE | | | |
| | | | | DRAWN | DATE | FSK TONE RECEIVER AX790-() | | |
| | | | | | DATE | | | |
| SIZE | | CODE IDENT. NO. | DWG NO. | ISSUE | | | | |
| C | | 82679 | AX790 | | | | | |
| SCALE | | SHEET | | OF | | | | |