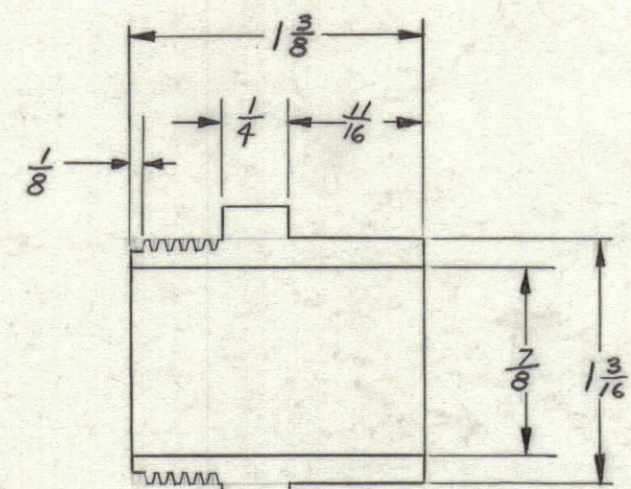
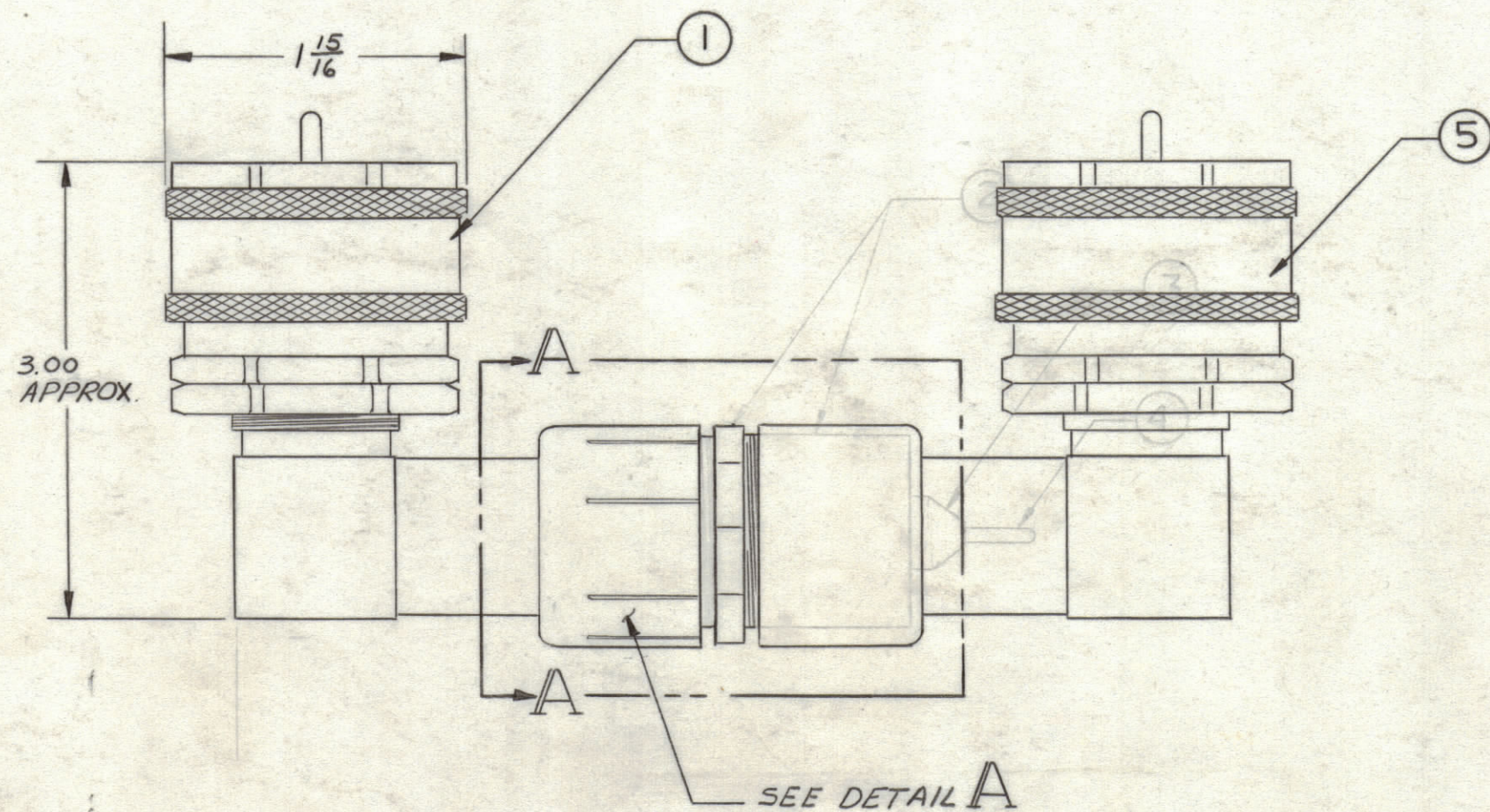
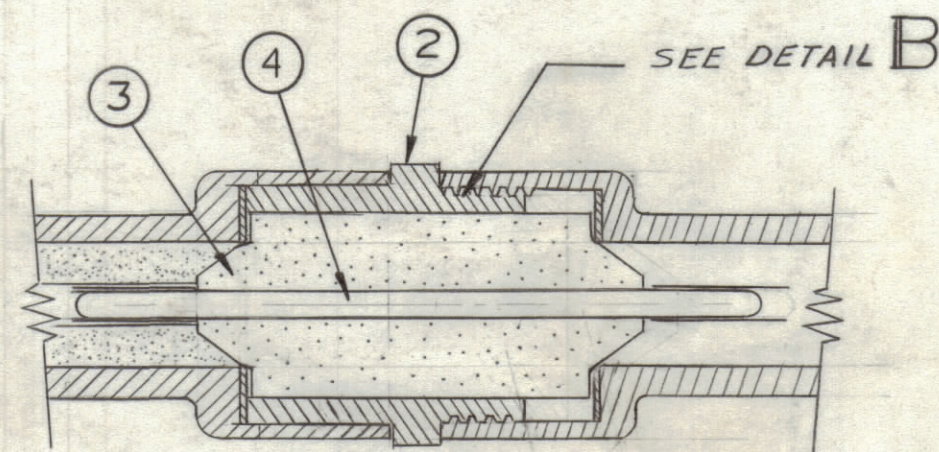


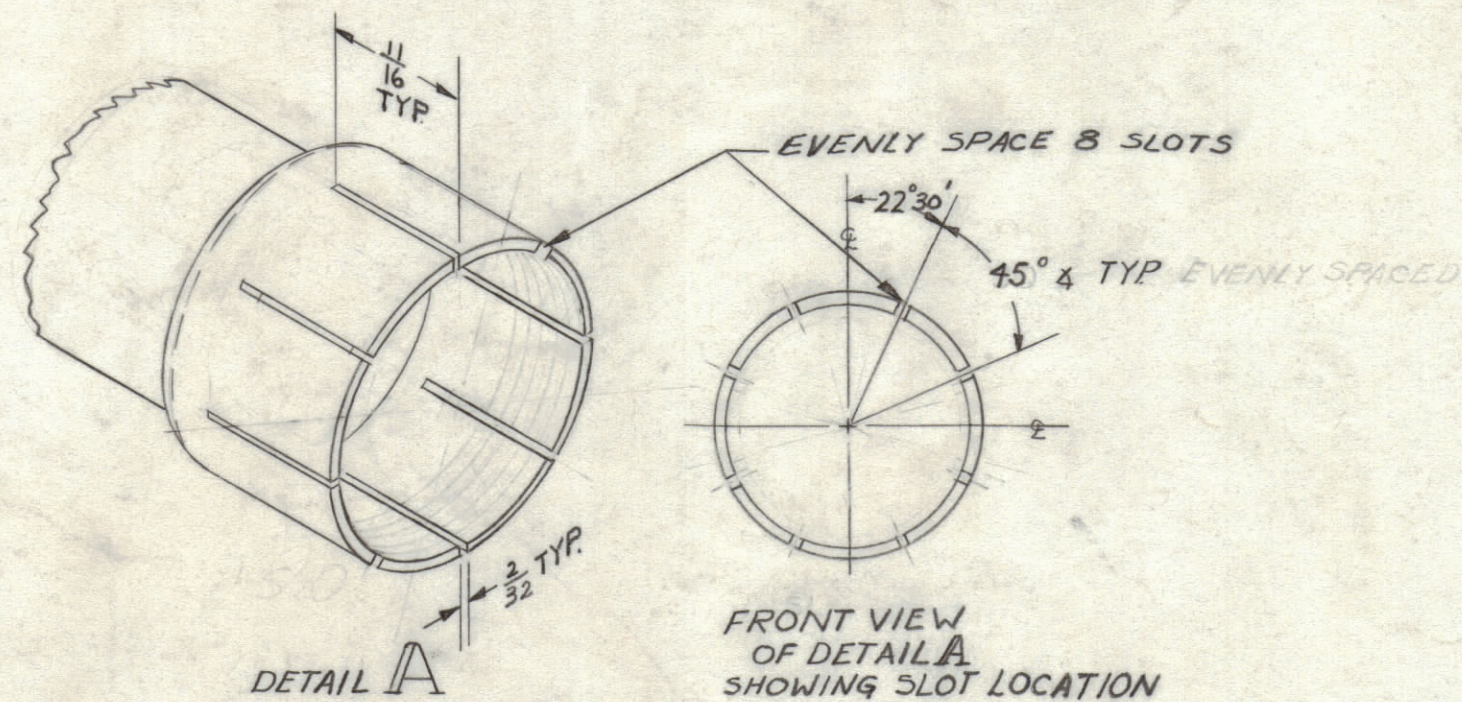
REVISIONS						
ZONE	LTR	DESCRIPTION	DATE	E.M.N.NO	DRAFT	CHKD APPD
	Ø	ORIGINAL RELEASE FOR PRODUCTION	8/20/70		RG	



DETAIL B
MODIFY PL-141 PART TO THE ABOVE DIMENSIONS



SECTION A



QTY. REQ.	ITEM	PART NO.	DESCRIPTION	SYMBOL
1	5	PL-141	ADAPTOR ASSY, RIGHT ANGLE	
1	4	MS8223	CONTACT FINGER	
1	3	PX8005	TEFLON INSULATOR	
1	2	PL-141	MODIFY PART FROM PL-141	
1	1	PL-141	MAKE FROM PL-141	

LIST OF MATERIAL

UNLESS OTHERWISE SPECIFIED DIMENSIONS ARE IN INCHES AND INCLUDE CHEMICALLY APPLIED OR PLATED FINISHES	FINAL APPROVAL <i>Lu. Palamidi</i>	DATE 8/19/70
TOLERANCES ON	MECH. DES.	DATE
DECIMALS .X ± .05	ELECT. DES.	DATE
FRACTIONS ± 1/64	CHECKED	DATE
ANGLES ± 0° -30'	DRAWN C. Grob	DATE 4/6/68

THE TECHNICAL MATERIEL CORP.
MAMARONECK, NEW YORK

ADAPTOR ASSY, RIGHT ANGLE

RF JACK

QTY / UNIT	UNIT 12 A	ASS'Y NO.
	MODEL USED ON	
	APPLICATION	
	CODE	

NOTICE TO PERSONS RECEIVING THIS DRAWING
THE TECHNICAL MATERIEL CORPORATION claims proprietary right in the material disclosed herein. This drawing is issued in confidence for engineering information only and may not be reproduced or used to manufacture anything shown hereon without permission from THE TECHNICAL MATERIEL CORPORATION to the user. This drawing is loaned for mutual assistance and is subject to recall at any time.

SIZE	CODE IDENT. NO.	DWG NO.	ISSUE
C	82679	AX8055	Ø
SCALE			SHEET 1 OF 1