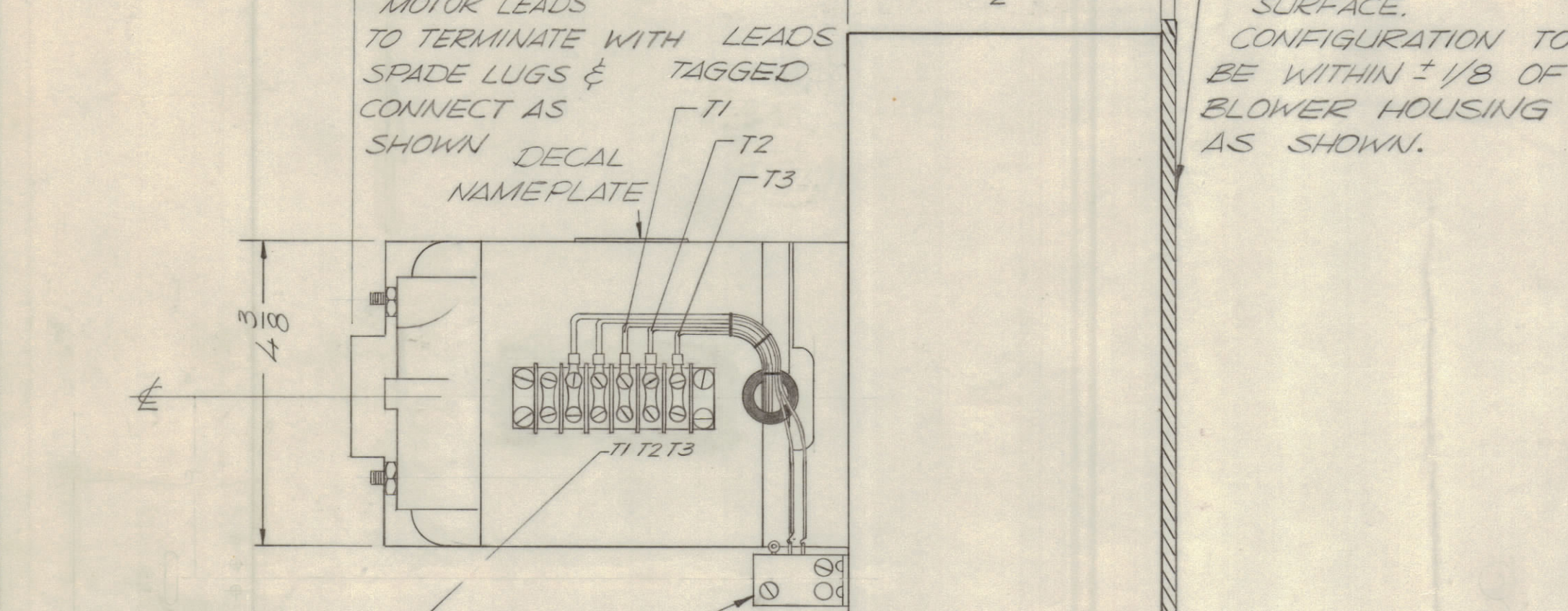
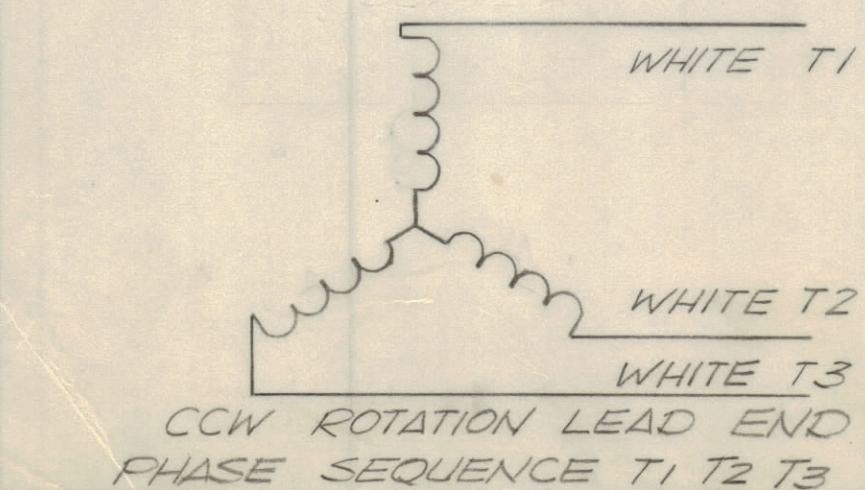
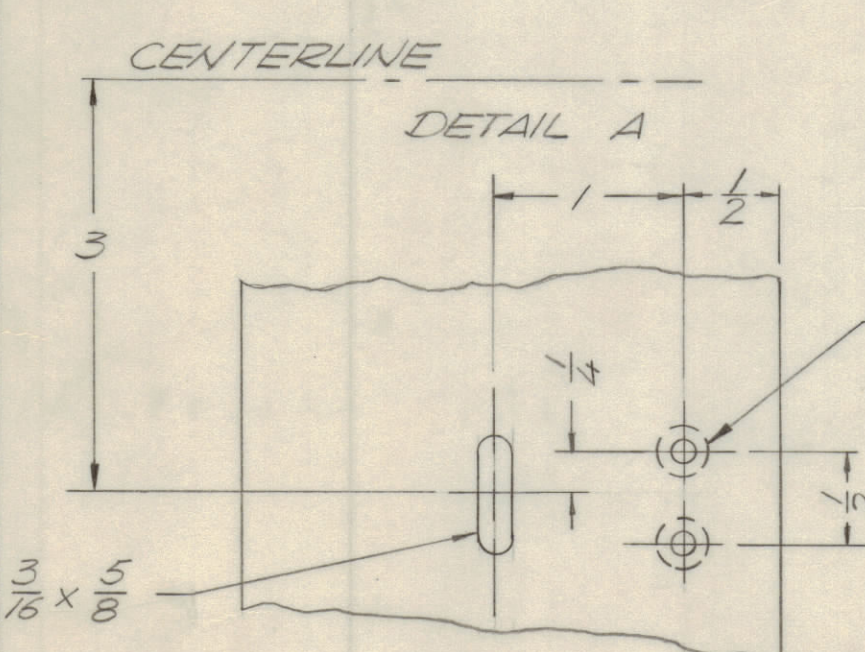


REVISIONS							
E.M.N.O.	DRAFT	CHKD	ZONE	LTR	DESCRIPTION	DATE	APPROVED
	GE			X	EXP RELEASE	11-4-69	
	W			X	ORIGINAL RELEASE FOR PRODUCTION	3/19/70	



1/8 HIGH CHARACTERS SWITCH SHOWN STAMPED WITH WHITE INK AND COVERED WITH FUNGUS RESISTANT VARNISH

SWITCH MOUNTED. FOR MTG. HOLES SEE DETAIL A SWITCH ADDED BY TMC



NOTES ~ FINISH

MOTOR: BLACK ANODIZE

BLOWER HSG: SEMI GLOSS BLACK ENAMEL

WHEEL: CAD. PLATE BRONZE IRIDITE

SCREEN & FRAME ASSY: COPPER FLASHED

INLET RING: COPPER FLASHED

QTY / UNIT	MODEL USED ON	ASS'Y NO.
1	PALA 10 K	
APPLICATION		
	CODE	

NOTICE TO PERSONS RECEIVING THIS DRAWING

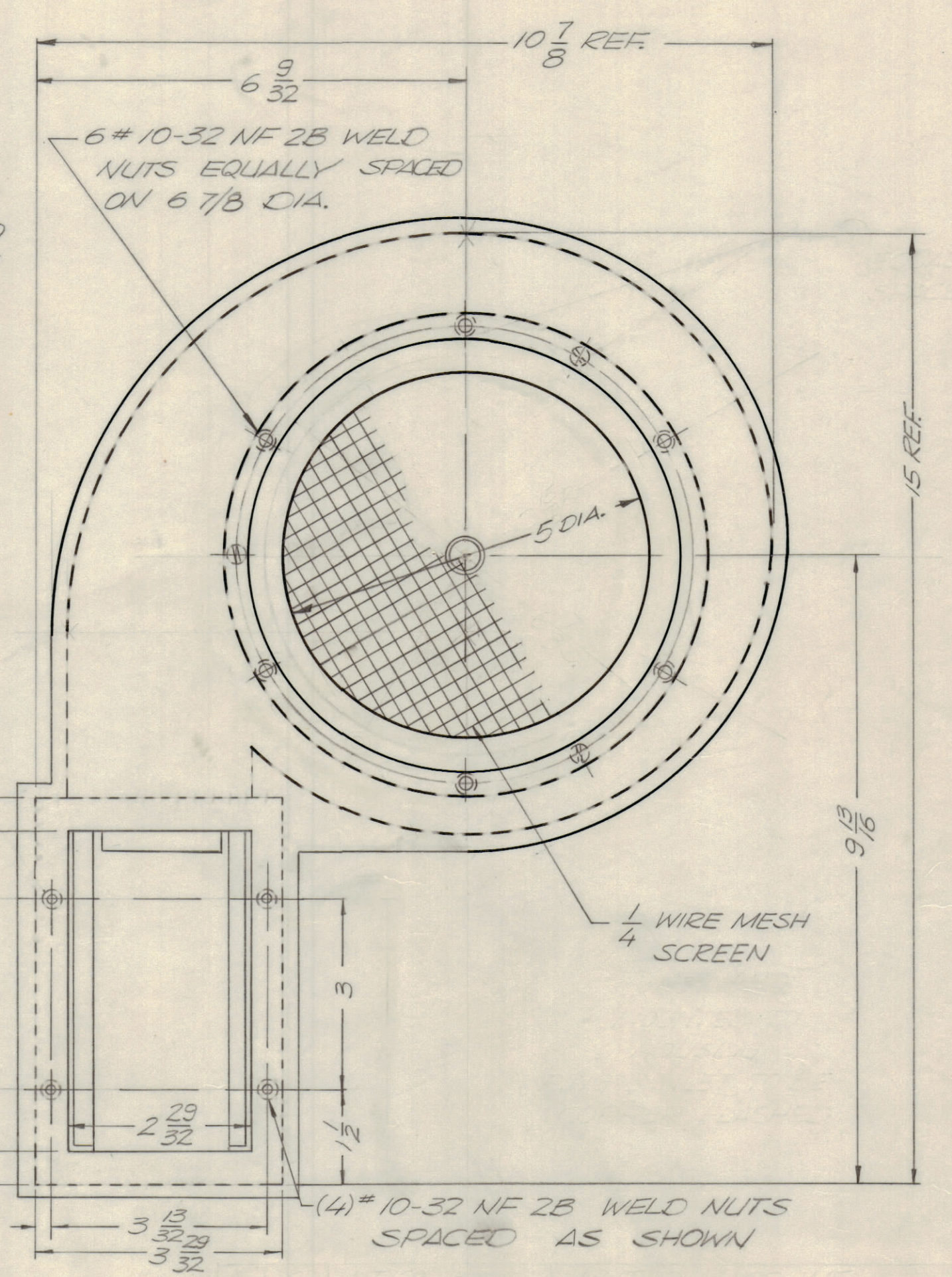
THE TECHNICAL MATERIEL CORPORATION claims proprietary right in the material disclosed hereon. This drawing is issued in confidence for engineering information only and may not be reproduced or used to manufacture anything shown hereon without permission from THE TECHNICAL MATERIEL CORPORATION to the user. This drawing is loaned for mutual assistance and is subject to recall at any time.

RATING: 208/230V
50/60 HZ 3PH, 3.8/2.0A
2800/3350 R.P.M.
CONT. DUTY

TOLERANCES ON	
DECIMALS	FRACTIONS
.X ± .05	± 1/64
.XX ± .01	ANGLES
.XXX ± .005	± 0° -30'

MATERIAL

FINISH AS NOTED



QTY. REQ.	ITEM	PART NO.	DESCRIPTION	SYMBOL
F. BUDETTI LIST OF MATERIAL				
FINAL APPROVAL		DATE	THE TECHNICAL MATERIEL CORP. MAMARONECK, NEW YORK	
MECH. DES.		DATE		
ELECT. DES.		DATE		
CHECKED		DATE		
DRAWN		DATE	FAN CENT 3 PH	
SIZE	CODE IDENT NO.	DWG NO.	ISSUE	
C	82679	BL 132	Ø	
SCALE		SHEET		OF