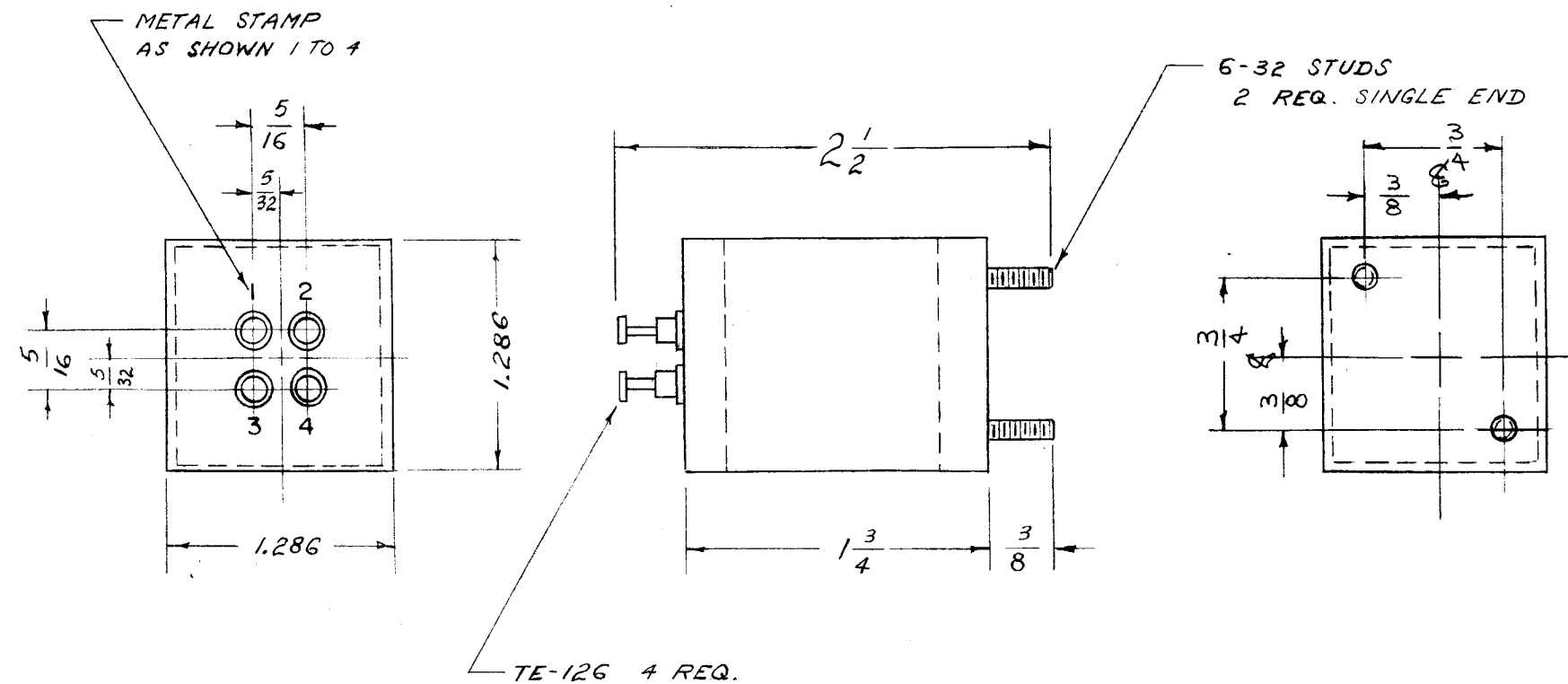


IF IT IS FOUND DESIRABLE TO CHANGE ANY TOLERANCE OR OTHER DETAIL SPECIFIED ON THIS DRAWING NOTIFY THE PURCHASER PROMPTLY.

MAXIMUM ALLOWABLE TOLERANCES HAVE BEEN DETERMINED AND DEVIATIONS WILL BE CAUSE FOR REJECTION. REMOVE ALL BURRS AND SHARP EDGES

BX-138 A



DEMENSIONS FOR REF. ONLY.

NOTICE TO PERSONS RECEIVING THIS DRAWING

THE TECHNICAL MATERIEL CORPORATION claims proprietary right in the material disclosed hereon. This drawing is issued in confidence for engineering information only and may not be reproduced or used to manufacture anything shown hereon without permission from THE TECHNICAL MATERIEL CORPORATION to the user. This drawing is loaned for mutual assistance and is subject to recall at any time.

Property of:
THE TECHNICAL MATERIEL CORPORATION
 MAMARONECK, NEW YORK

REF. TMC# BX-100-35 (HELDOR MFG. CO. 102-AK MODIFIED.)

REQ.	ITEM	PART NO.	DESCRIPTION	SYMBOL
		.019 - .025	THE TECHNICAL MATERIEL CORP. MAMARONECK, NEW YORK	
		STOCK SIZE		
	STEEL	#	CASE, TRANSFORMER	
	MATERIAL	WEIGHT PER PC.	TR-113	
	TYPE & TEMPER		P.B. 4-14-55	WJ
			DRAWN	ELEC. DES. APP.
	HEAT TREAT. SPEC.		JAD	CPB
	FINISH & SPEC. NO.		HOT-TINNED	CHECKED
			FINAL APPROVAL	
			BX-138	A

ISSUE	ITEM	CHANGED FROM	DATE	CN. NO.	DRAFTS	CHECKER	ENG. APP.
A	1	FINISH WAS ELECTRO TIN	8/31/55	1	CSB	JAD	WJ

TOLERANCES		SCALE:
ALL OTHERS	DEC. DIM. ± FRAC. DIM. ± ANGULAR DIM. ±	DRILL, PUNCH, COMMERCIAL STOCK SIZES AND MANUFACTURERS TOLERANCES ARE NOT INCLUDED.

REQ. PER UNIT	MODEL	PROJECT NO.	ASS'Y. NO.	DATE
1	TR-113		A-999	4-14-55

USED ON