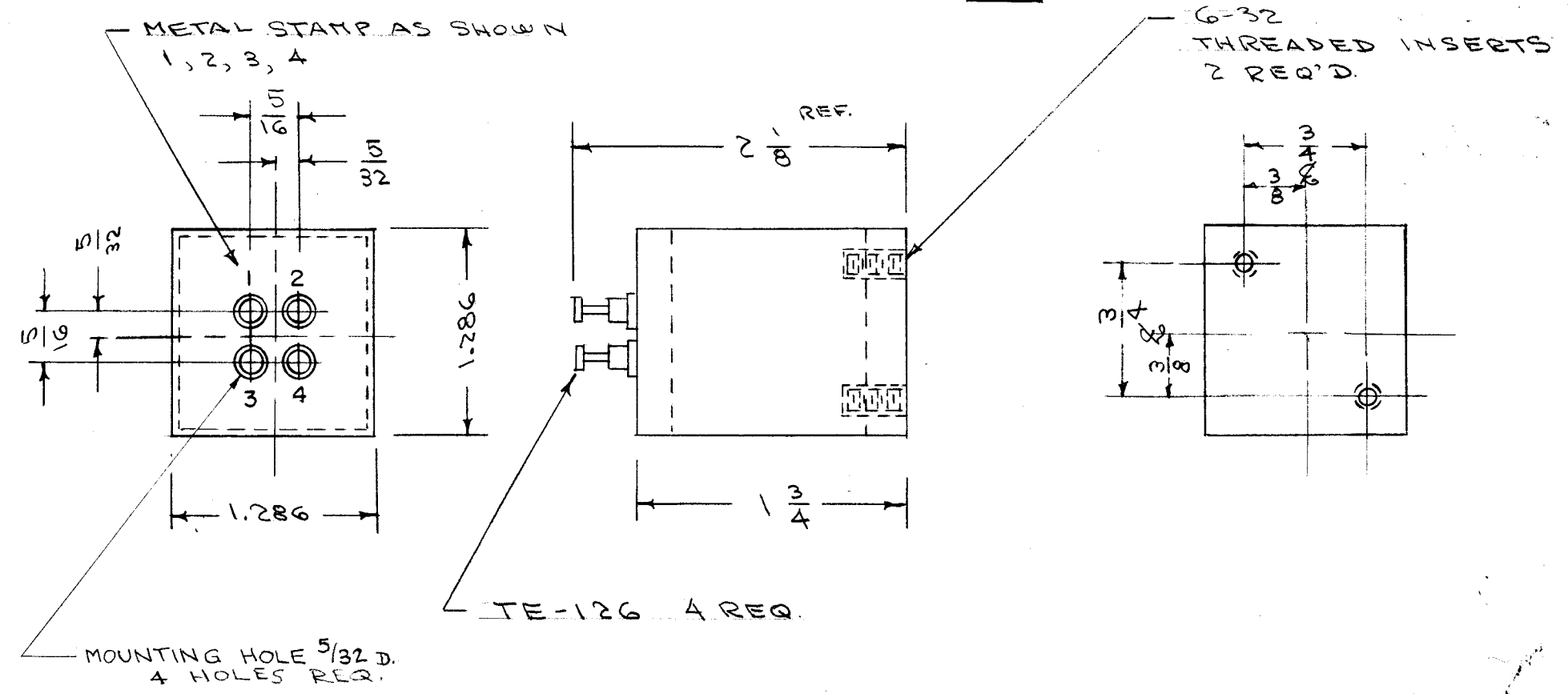


IF IT IS FOUND DESIRABLE TO CHANGE ANY TOLERANCE OR OTHER DETAIL SPECIFIED ON THIS DRAWING NOTIFY THE PURCHASER PROMPTLY.

MAXIMUM ALLOWABLE TOLERANCES HAVE BEEN DETERMINED AND DEVIATIONS WILL BE CAUSE FOR REJECTION. REMOVE ALL BURRS AND SHARP EDGES

BX-140 A



NOTICE TO PERSONS RECEIVING THIS DRAWING

THE TECHNICAL MATERIEL CORPORATION claims proprietary right in the material disclosed hereon. This drawing is issued in confidence for engineering information only and may not be reproduced or used to manufacture anything shown hereon without permission from THE TECHNICAL MATERIEL CORPORATION to the user. This drawing is loaned for mutual assistance and is subject to recall at any time.

Property of:  
THE TECHNICAL MATERIEL CORPORATION  
MAMARONECK, NEW YORK

REF: HELDOR MFG. CO. (AK)

REQ.	ITEM	PART NO.	DESCRIPTION	SYMBOL
		.019 - .025	THE TECHNICAL MATERIEL CORP. MAMARONECK, NEW YORK	
		STEEL	CASE, TRANSFORMER	
			TR-124-127	
			CD 8/9/55	
			DRAWN	MECH. DES. APP.
			CHECKED	FINAL APPROVAL
			HOT TINNED	
			FINISH & SPEC. NO.	

ISSUE	ITEM	CHANGED FROM	DATE	CN. NO.	DRAFTS	CHECKER	ENG. APP.
A	1	MOUNTING HOLE DIM. ADDED	9-20-55	1	P/B	JAW	WLL

REQ. PER UNIT	MODEL	PROJECT NO.	ASSY. NO.	DATE
1	TR-127		A-1112	6-3-55
1	TR-124		A-999	8/9/55

BX-140 A