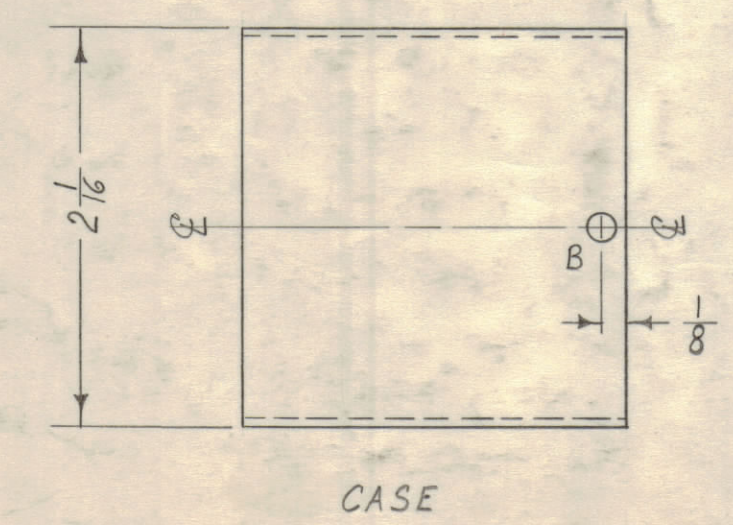
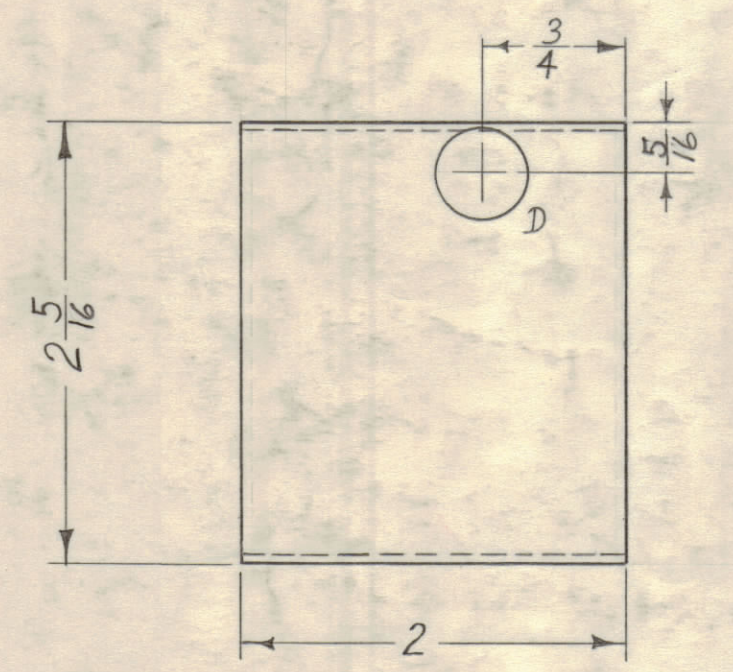
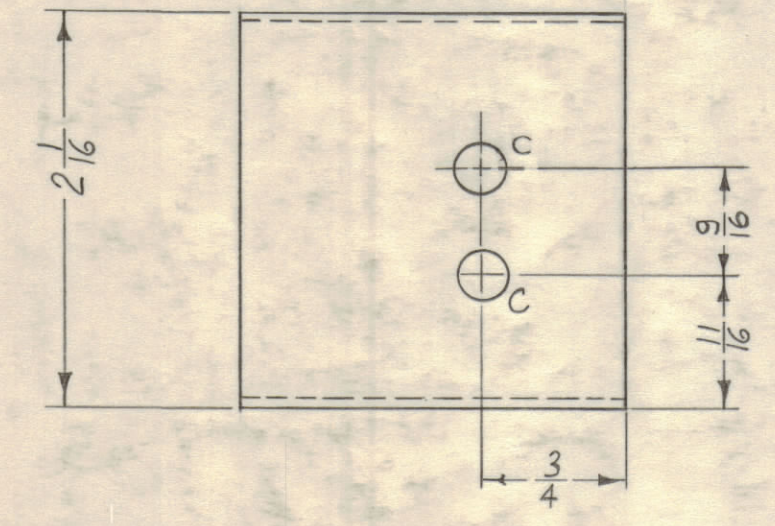
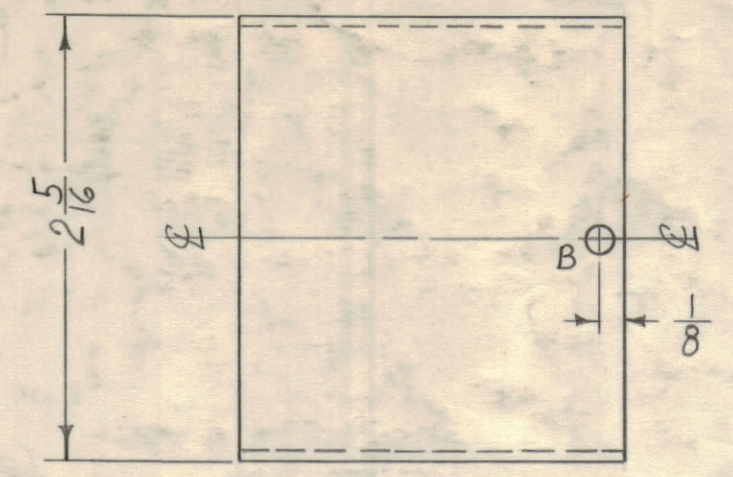
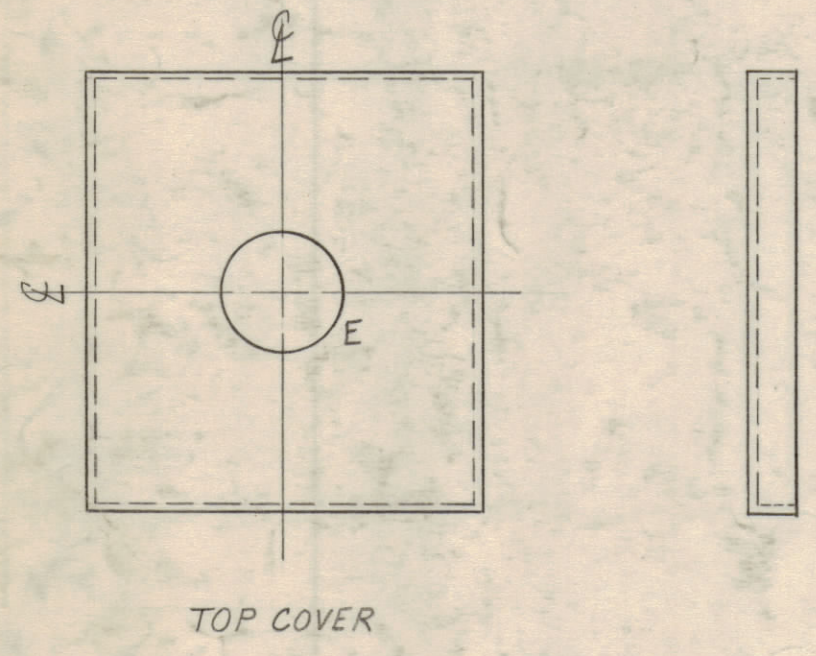
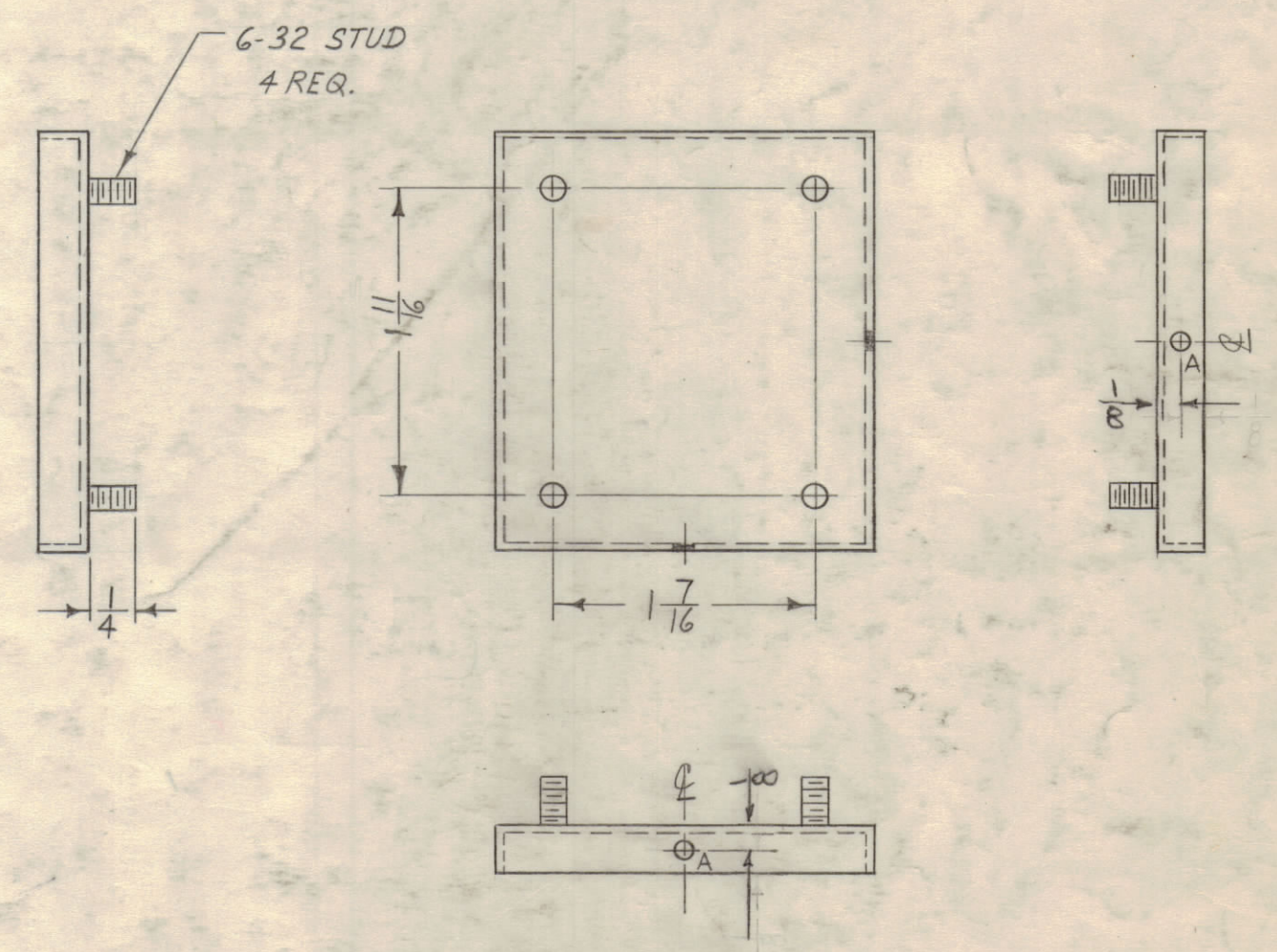


NOTICE TO PERSONS RECEIVING THIS DRAWING  
 THE TECHNICAL MATERIEL CORPORATION claims proprietary right in the material disclosed hereon. This drawing is issued in confidence for engineering information only and may not be reproduced or used to manufacture anything shown hereon without permission from THE TECHNICAL MATERIEL CORPORATION to the user. This drawing is loaned for mutual assistance and is subject to recall at any time.

Property of:  
 THE TECHNICAL MATERIEL CORPORATION  
 MAMARONECK, NEW YORK



- A - .086 DIA. 2 REQ.
- B - 9/24 DIA. 2 "
- C - 1/4 DIA. 2 "
- D - 15/32 DIA. 1 "
- E - 5/8 DIA. 1 "



NOTE: SOLDER TOP COVER TO CASE BEFORE PAINTING.  
 FINAL FINISH  
 S197-BLACK SEMI-GLOSS BAKING ENAMEL

C	1	ONE "C" HOLE ADDED	5.14.64	11401	NTB	@	
B	1	FINISH WAS S174- BLUE-GRAY SEM-GLOSS ENAMEL	75-63	9402			
A	1	"D" HOLE RELOCATED (5/16 was 1/4)	11/27/60	3513	PV		
		REDRAWN & REDESIGNED	9-22-60				
ISSUE ZONE		DESCRIPTION	DATE	CH. NO.	DRAFTS	CHECKER	ENG. APP.
TOLERANCES			SCALE: FULL				
DEC. DIM. ±			MAXIMUM ALLOWABLE TOLERANCES HAVE BEEN DETERMINED AND ANY DEVIATIONS WILL BE CAUSE FOR REJECTION.				
FRAC. DIM. ± 1/64			REMOVE ALL BURRS AND SHARP EDGES				
ANGULAR DIM. ±							

REQ PER UNIT	MODEL	SECTION	ASSY. NO.	DATE
1	GPT-40K			9-22-60

REQ. ITEM	PART NO.	DESCRIPTION	SYMBOL
THE TECHNICAL MATERIEL CORP. MAMARONECK, NEW YORK			
STOCK SIZE		CAN, BLOWER AIR SWITCH	
STEEL			
MATERIAL			
TYPE & TEMPER			
HEAT TREAT. SPEC.		FINAL APPROVAL	
HOT TINNED DIP		BX-190	
FINISH & SPEC. NO.			