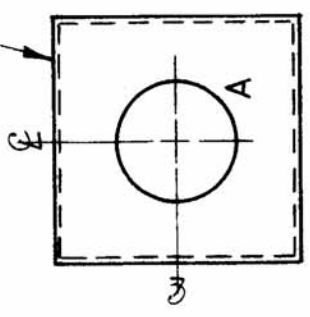


A - 5/8 DIA 2 HOLES

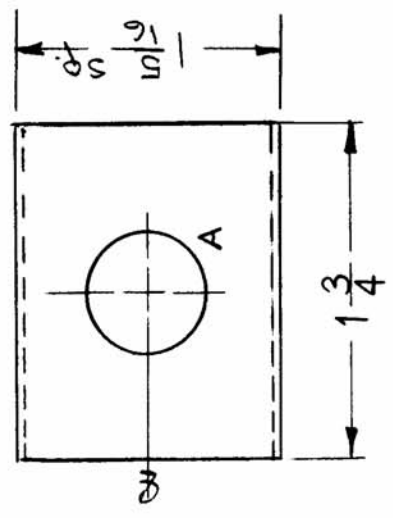
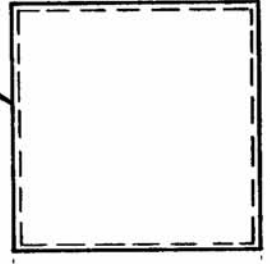
USED ON BX-193

REQ. PER UNIT	MODEL	ASSY. NO.	DATE
1	RBT-4		6-26-61

TOP COVER



BOTTOM COVER



NOTE~
NO STUDS ON TOP OR
BOTTOM COVERS.

REF: TMC # BX-100-3

REQ. ITEM	PART NO.	DESCRIPTION	SYMBOL
	.019-.025	THE TECHNICAL MATERIEL CORP.	
	STOCK SIZE	MAMARONECK, NEW YORK	
	STEEL	CASE TRANSFORMER	
	MATERIAL		
	TYPE & TEMPER	DRAWN	CHECKED
	HOT TINNED	<i>M.A.F.</i>	<i>J.S.</i>
	HEAT TREAT. SPEC.		FINAL APPROVAL
	FINISH & SPEC. NO.		BX-193
ISSUE ITEM	CHANGED FROM		
TOLERANCES			
SCALE: FULL (Do Not Scale)			
MAXIMUM ALLOWABLE TOLERANCES HAVE BEEN DETERMINED AND ANY DEVIATIONS WILL BE CAUSE FOR REJECTION. REMOVE ALL BURRS AND SHARP EDGES			
DEC. DIM. ±			
FRAC. DIM. ±	1/64		
ANGULAR DIM. ±			