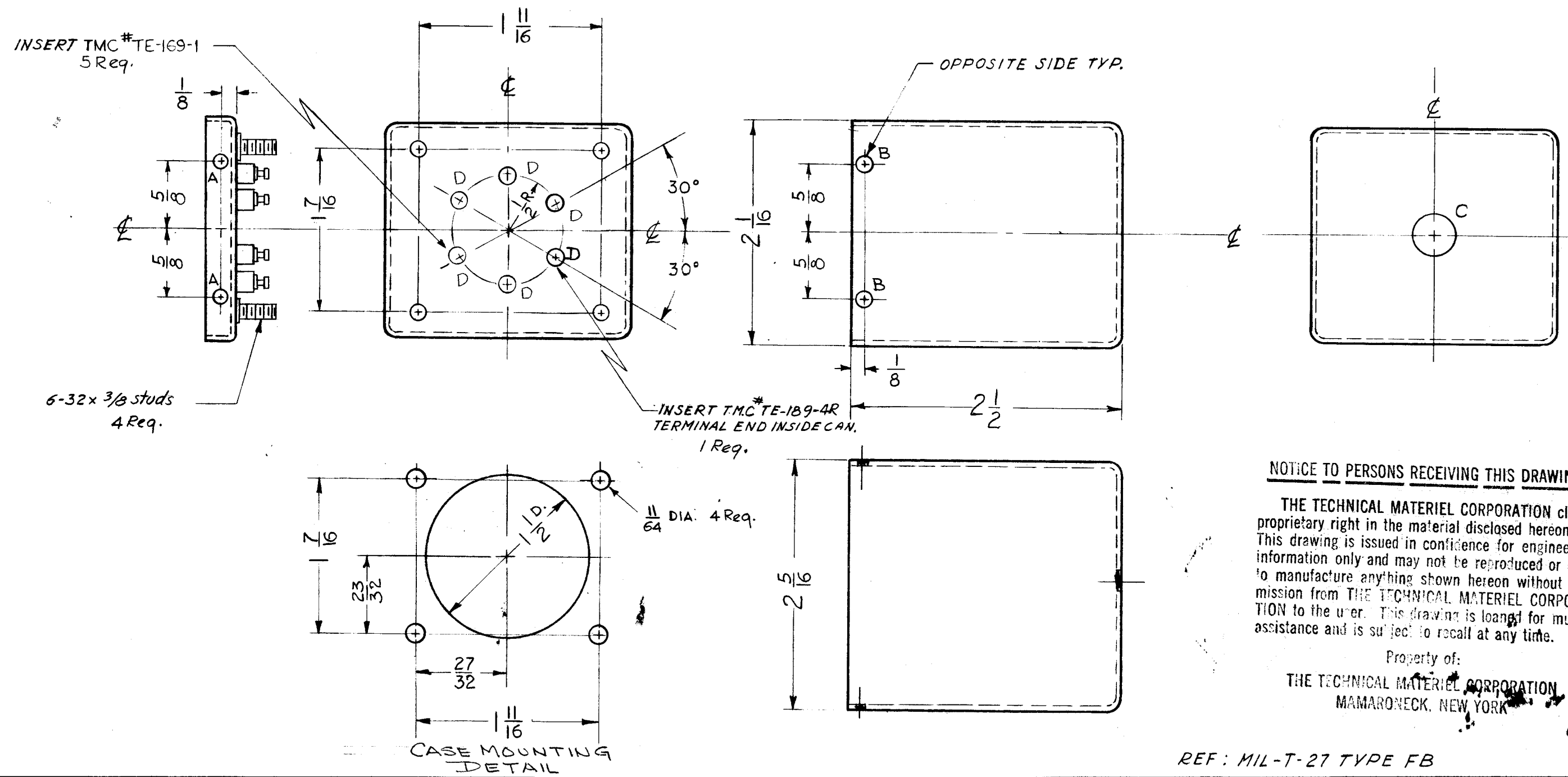


BX-194

- A - * 44 Dr. (.086) DIA. 4 Req.
- B - 9/64 DIA. 4 Req.
- C - 3/8 DIA. 1 Req.
- D - * 20 Dr. (.159) DIA. 6 Req.



NOTICE TO PERSONS RECEIVING THIS DRAWING

THE TECHNICAL MATERIEL CORPORATION claims proprietary right in the material disclosed hereon. This drawing is issued in confidence for engineering information only and may not be reproduced or used to manufacture anything shown hereon without permission from THE TECHNICAL MATERIEL CORPORATION to the user. This drawing is loaned for mutual assistance and is subject to recall at any time.

Property of:
THE TECHNICAL MATERIEL CORPORATION
MAMARONECK, NEW YORK

REF: MIL-T-27 TYPE FB

SYM	DESCRIPTION	DATE	CH. NO.	DRAFTS	CHECKER	ENG. APP.

UNLESS OTHERWISE SPECIFIED:
DIMENSIONS ARE IN INCHES
TOLERANCES ON FRACTIONS ± 1/64 DECIMALS ± .005 ANGLES ± 1/2°

SCALE:
MAXIMUM ALLOWABLE TOLERANCES HAVE BEEN DETERMINED AND ANY DEVIATIONS WILL BE CAUSE FOR REJECTION.
REMOVE ALL BURRS AND SHARP EDGES

REQ. PER UNIT	MODEL	SECTION	ASS'Y. NO.	DATE
1	AFC-1B	NW-102	A-3037	8 15-61
USED ON				

REQ.	ITEM	PART NO.	DESCRIPTION		SYMBOL
		ff	THE TECHNICAL MATERIEL CORP. MAMARONECK, NEW YORK		
		STEEL	CASE & COVER		
		MATERIAL			
		TYPE & TEMPER	HEAT TREAT. SPEC.	DRAWN	CHECKER
		HOT TINNED		G.D.L.	R. H. 20
		FINISH & SPEC. NO.	ELEC. DES. APP.	MECH. DES. APP.	FINAL APPROVAL
					BX-194