

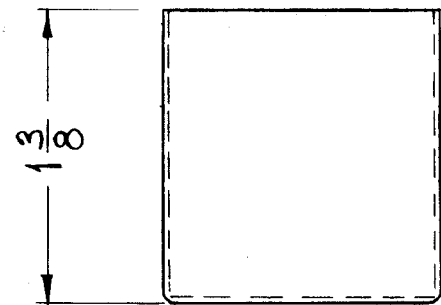
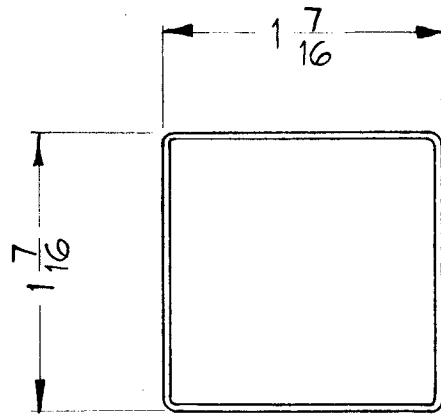
BX-198 D

**NOTICE TO PERSONS RECEIVING THIS DRAWING**

THE TECHNICAL MATERIEL CORPORATION claims proprietary right in the material disclosed hereon. This drawing is issued in confidence for engineering information only and may not be reproduced or used to manufacture anything shown hereon without permission from THE TECHNICAL MATERIEL CORPORATION to the user. This drawing is loaned for mutual assistance and is subject to recall at any time.

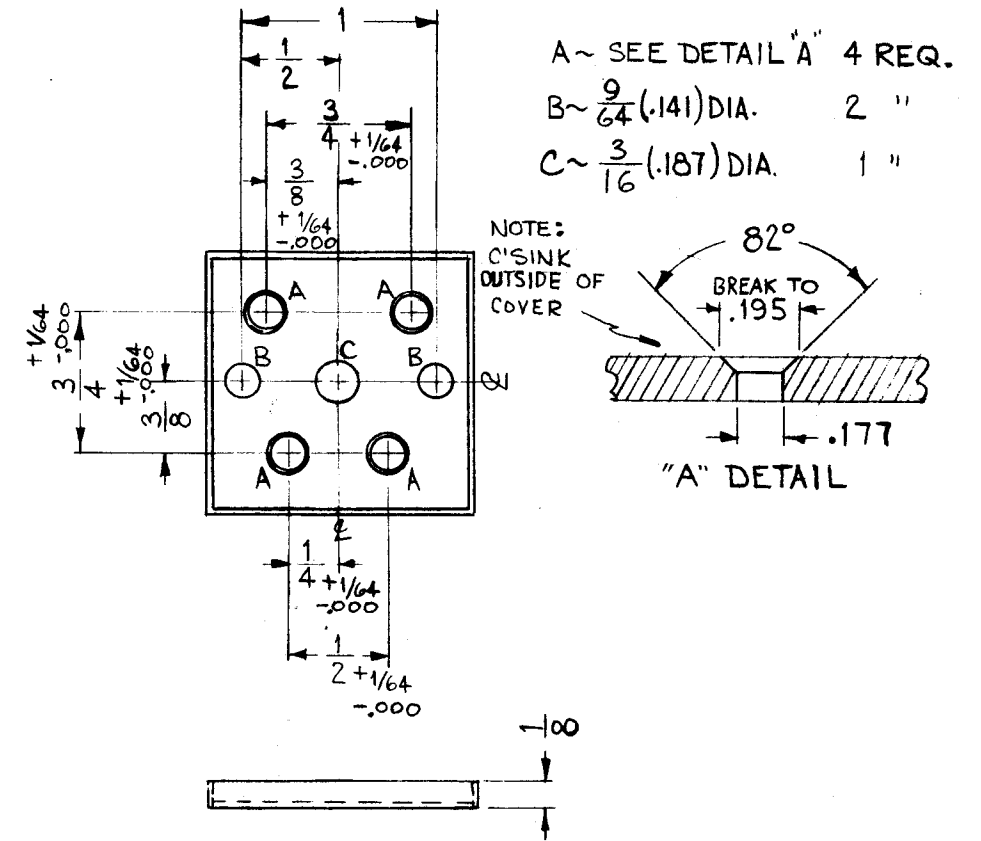
Property of:

THE TECHNICAL MATERIEL CORPORATION  
MAMARONECK, NEW YORK



— CASE —

(CAT NR: HU-568-4)



— COVER, BOTTOM —

(CAT NR: HU-182C-4 MODIFIED AS SHOWN).

SYM	DESCRIPTION	DATE	CH. NO.	DRAFTS	CHECKER	ENG. APP.
D	C'SINK WAS ON INSIDE OF COVER	5-20-63	9098	[Signature]	[Signature]	[Signature]
C	C'SINK NOTE ADDED	10-25-62	7545	[Signature]	[Signature]	[Signature]
B	INSIDE COVER WAS TOP, 9/64 WAS 11/64	1-9-62	6235	SRG	[Signature]	[Signature]
A	.177 DIM. WAS .173 ON A DETAIL, PICTURE CLARIFIED	12-6-61	6003	E.G.	[Signature]	[Signature]

UNLESS OTHERWISE SPECIFIED:		SCALE: S 401-28	
DIMENSIONS ARE IN INCHES		MAXIMUM ALLOWABLE TOLERANCES HAVE BEEN DETERMINED AND ANY DEVIATIONS WILL BE CAUSE FOR REJECTION.	
TOLERANCES ON FRACTIONS ± 1/64 DECIMALS ± .005 ANGLES ± 1/2°		REMOVE ALL BURRS AND SHARP EDGES	

REQ. PER UNIT	2	MODEL	AFC-2	SECTION		ASS'Y. NO.		DATE	11-20-61
USED ON									

REQ. ITEM	PART NO.	DESCRIPTION	SYMBOL
.019		THE TECHNICAL MATERIEL CORP. MAMARONECK, NEW YORK	
STEEL		CASE & COVER	
MATERIAL			
TYPE & TEMPER		HEAT TREAT. SPEC.	
DRAWN		CHECKER	FINAL APPROVAL
FINISH & SPEC. NO.		ELEC. DES. APP.	MECH. DES. APP.

BX-198 D