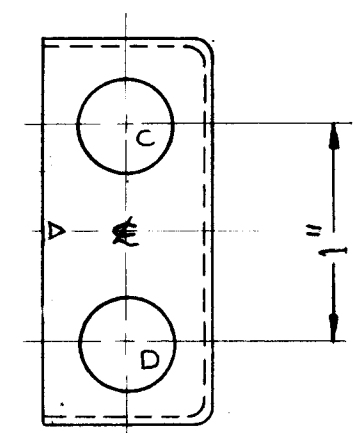
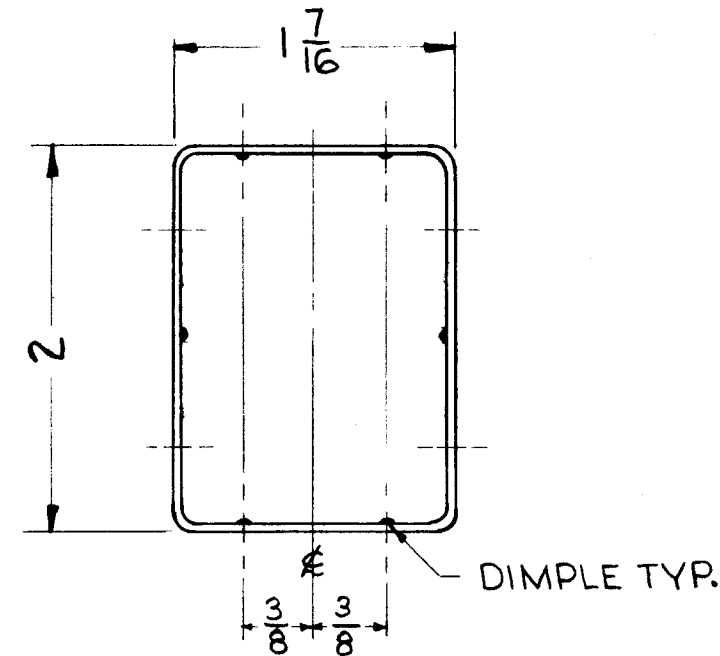
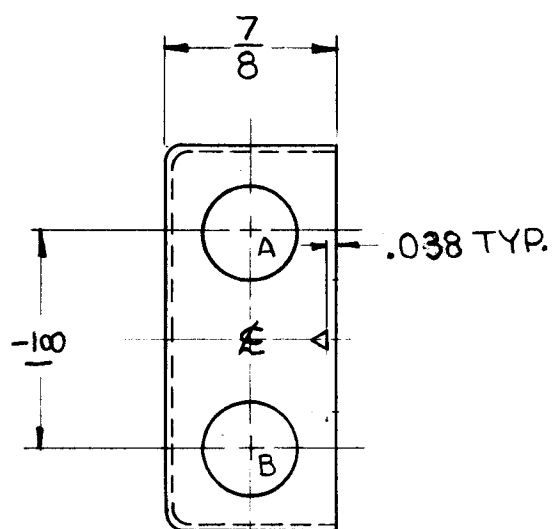
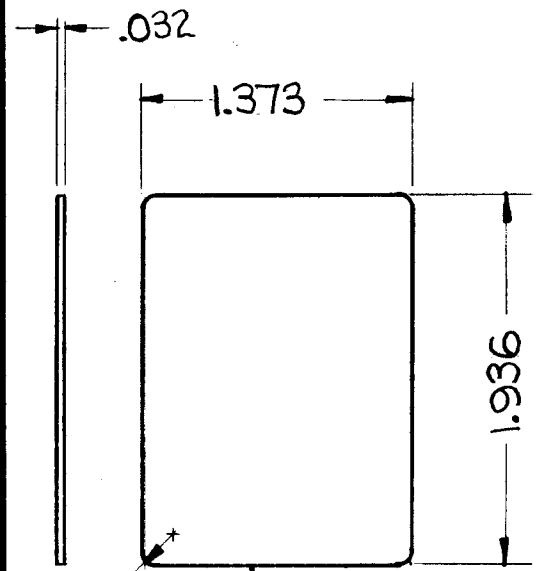


TMC PT. NO	A-DIA.	B-DIA.	C-DIA.	D-DIA.
BX 200-1	.437	.437	.531	.531
BX 200-2	.531	.531	.531	.531
BX 200-3	.505	.505	.531	.531
BX 200-4				

REVISIONS						
SYM	DESCRIPTION	DATE	E.M.N. NO.	DRAFT	CHKD	APPD
A	1" DIM. ON RIGHT HAND VIEW WAS 1 1/8"	5-31-62	6772	V.R.R.		
B	DELETED 2 NOTCHES & MOVED EXISTING ONES TO CENTER, PART # (HU-294-2C)	7-25-62	6976	SRG		
C	REVISED CHART & U/O COLUMNS	4-11-66	16087	NLA		
D	P/N CHART ALL .515 DIA. WERE .500	4-16-68	18872	HY.		
E	P/N CHART ALL .531 WERE .515	12-14-85		RAW		
F	ADD BX 200-3	5-9-86		RAW		

BX 200



COVER MUST FIT INSIDE CAN (HU-358-2).

NOTICE TO PERSONS RECEIVING THIS DRAWING

THE TECHNICAL MATERIEL CORPORATION claims proprietary right in the material disclosed hereon. This drawing is issued in confidence for engineering information only and may not be reproduced or used to manufacture anything shown hereon without permission from THE TECHNICAL MATERIEL CORPORATION to the user. This drawing is loaned for mutual assistance and is subject to recall at any time.

Property of:
 THE TECHNICAL MATERIEL CORPORATION
 MAMARONECK, NEW YORK

NOTE:
 ALL RADII $\frac{3}{32}$
 REMOVE ALL FOREIGN MATTER FROM CAN AND COVER, SURFACE MUST BE CLEAN.

Q'TY./UNIT	MODEL USED ON	TMC PART NO.
1	SW-587	BX 200-3
1	SW-422	BX 200-1
1	SW-318	BX 200-2
1	SW-312	BX 200-2
1	SW-311	BX 200-1
1	SW-310	BX 200-2
1	SW-309	BX 200-2

SCALE DO NOT SCALE CODE S-401-28 PART NO. HU-358-2

THE CONTENTS OF THIS DRAWING ARE THE EXCLUSIVE PROPERTY OF THE TECHNICAL MATERIEL CORP. ITS UNAUTHORIZED USE OR REPRODUCTION IN WHOLE OR IN PART IS STRICTLY FORBIDDEN.

REQ'D.	ITEM	PART NUMBER	DESCRIPTION	SYMBOL
		PRITCHARD		
LIST OF MATERIAL				
MATERIAL			THE TECHNICAL MATERIEL CORP. MAMARONECK, NEW YORK	
.032 BRASS				
FINISH			TITLE CASE AND COVER QDM SERIES	
BRIGHT DIP				
UNLESS OTHERWISE SPECIFIED DIMENSIONS ARE IN INCHES AND INCLUDE CHEMICALLY APPLIED OR PLATED FINISHES			DRAWN R. Lurchin CHECKER J.W. ELECT. DES. MECH. DES.	DATE 5-21-62 DATE 5/25/62 DATE DATE 3/25/62
DECIMALS .X ± .05 .XX ± .01 .XXX ± .005			TOLERANCES ± 1/64 ANGLES ± 0° 30'	
			DATE 5-21-62 DATE 5/25/62 DATE DATE 3/25/62 SHEET BX 200 E	

NOTES