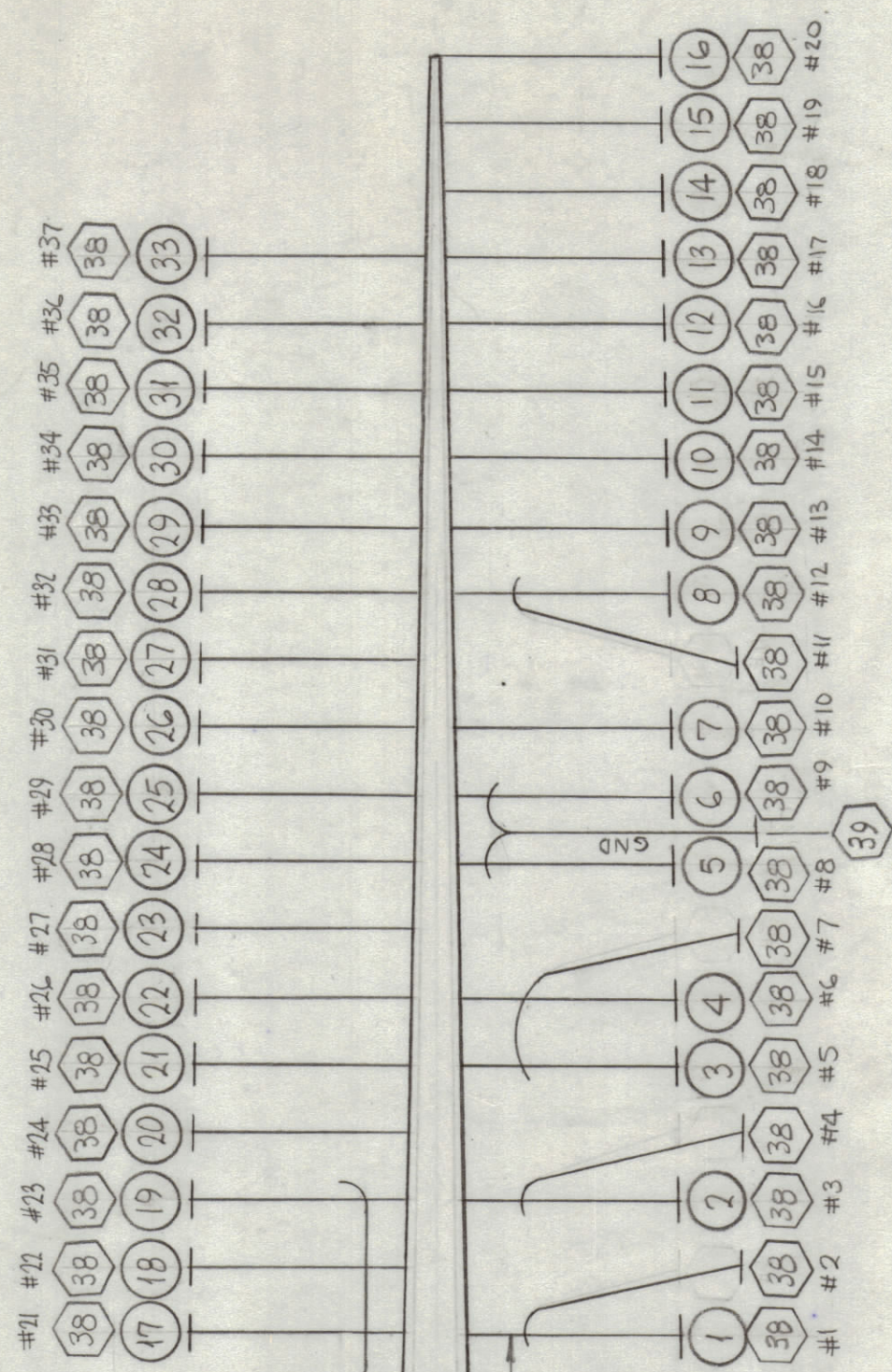


REVISIONS					
ZONE	SYM	DESCRIPTION	DATE	E.M.N. NO.	APPD
	Ø	ORIGINAL RELEASE FOR PRODUCTION	9/3/67	Ø	CV

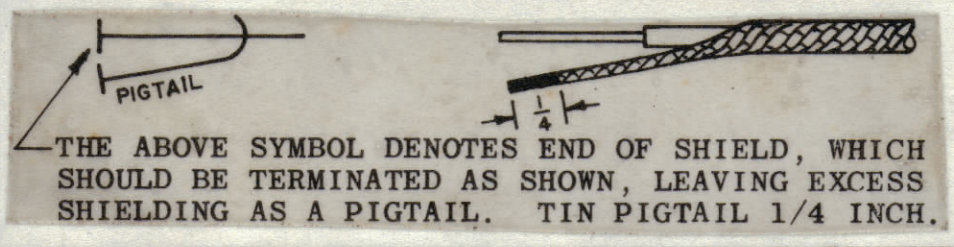
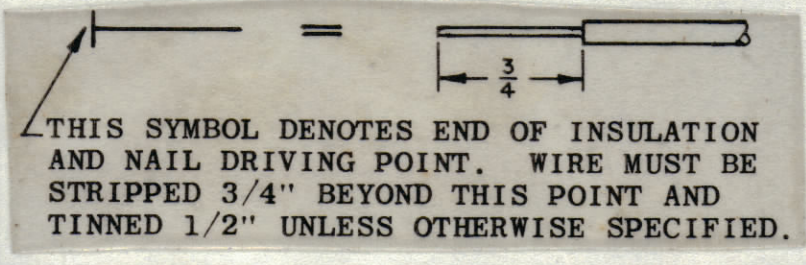


SYMBOL - DENOTES

○ = ITEM NO'S

△ = PIN NO'S

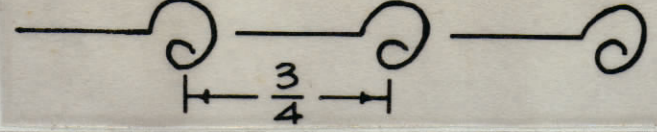
⬡ = LUG NO'S



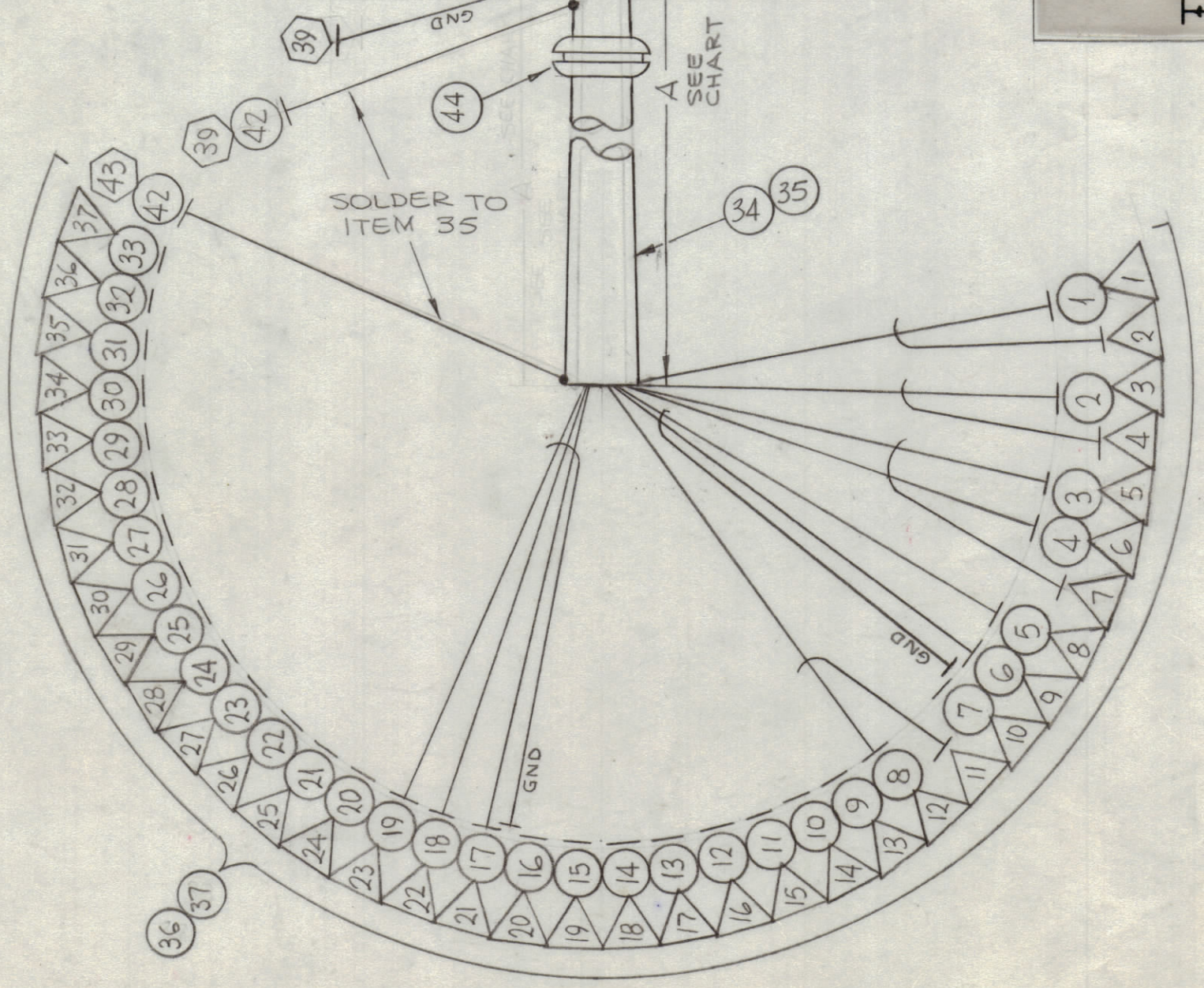
UNLESS OTHERWISE SPECIFIED WIRES SHOULD BE PLACED IN CABLE IN NUMERICAL SEQUENCE AS THEY APPEAR IN ITEM COLUMN BY CATEGORY.

1. ALL R.F. CABLES
2. ALL SHIELDED CABLES
3. ALL OTHERS

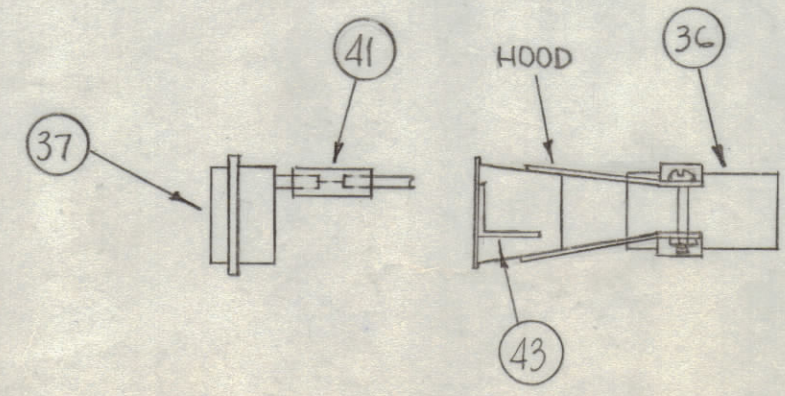
SPACE LACING APPROXIMATELY 3/4" APART.



REQ'D.	ITEM	PART NUMBER	DESCRIPTION	SYMBOL
X	45	CD101-1M7	CORD, NYLON, LACING	
1	44	SEE CHART	GROMMET RUBBER	
1	43	TE149-120	LUG, SOLDER	
X	42	MWC22(7)U0	WIRE ELECT, INS.	
X	41	PX830-16-1	INS, SLVG SHRINK	
X	40	BS100	SOLDER TIN ALLOY	
3	39	TE156-32947	SOLDERLESS TERMINAL	
37	38	SEE CHART	LUG, SPADE	
i	37	SEE CHART	CON, PLUG & RECEPT.	
i	36	MS3420-6A	BUSHING RUBBER	
X	35	WL103-6	BRD, WIRE, FLAT	
X	34	PX100-1-500	INS, SLEEVING	
	33	MWC24(7) U90	WIRE ELECT INS.	
	32	U8		
	31	U6		
	30	U4		
	29	U2		
	28	U0		
	27	U97		
	26	U96		
	25	U94		
	24	U92		
	23	U90		
	22	U9		
	21	U7		
	20	U5		
	19	SJ4		
	18	SJ2		
	17	SJ1		
	16	U93		
	15	U92		
	14	U91		
	13	U9		
	12	U7		
	11	U5		
	10	U3		
	9	U1		
	8	SJ98		
	7	U95		
	6	SJ93		
	5	SJ91		
	4	SJ8		
	3	SJ6		
	2	SJ3		
	1	MWC24(7) SJ0	WIRE ELECT, INS.	



TMC P/N	A DIM.	ITEM 37	ITEM 38	ITEM 44
CA1179-1	10"	JJ310-3H	TE120-2	NONE
CA1179-2	80"	JJ313-3H	NONE	EY102-B



Q'TY./UNIT	MODEL USED ON	ASS'Y. NO.
1	TST-10K	A4369

THE CONTENTS OF THIS DRAWING ARE THE EXCLUSIVE PROPERTY OF THE TECHNICAL MATERIEL CORP. ITS UNAUTHORIZED USE OR REPRODUCTION IN WHOLE OR IN PART IS STRICTLY FORBIDDEN.

F. BUDETTI LIST OF MATERIAL			
MATERIAL		THE TECHNICAL MATERIEL CORP. MAMARONECK, NEW YORK	
FINISH		TITLE: CABLE, JUNCTION	
UNLESS OTHERWISE SPECIFIED DIMENSIONS ARE IN INCHES AND INCLUDE CHEMICALLY APPLIED OR PLATED FINISHES		DRAWN: [Signature]	DATE: 10-11-65
DECIMALS: .X ± .05, .XX ± .01, .XXX ± .005		CHECKED: [Signature]	DATE: [Blank]
FRACTIONS: ± 1/64, ANGLES: ± 0° 30'		ELECT. DES. [Signature]	DATE: [Blank]
TOLERANCES		MECH. DES. [Signature]	DATE: [Blank]
SHEET		FINAL APPROVAL: [Signature] DATE: 5/5/67	
REV. LTR.		CA1179	

NOTES

CA1179