

THIS SYMBOL DENOTES END OF INSULATION AND NAIL DRIVING POINT. WIRE MUST BE STRIPPED 3/4" BEYOND THIS POINT AND TINNED 1/2" UNLESS OTHERWISE SPECIFIED.

THIS SYMBOL INDICATES END OF SHIELDING.

UNLESS OTHERWISE SPECIFIED, WIRES SHOULD BE PLACED IN CABLE IN NUMERICAL SEQUENCE AS THEY APPEAR IN ITEM COLUMN BY CATEGORY.

1. ALL R.F. CABLES
2. ALL SHIELDED CABLES
3. ALL OTHERS

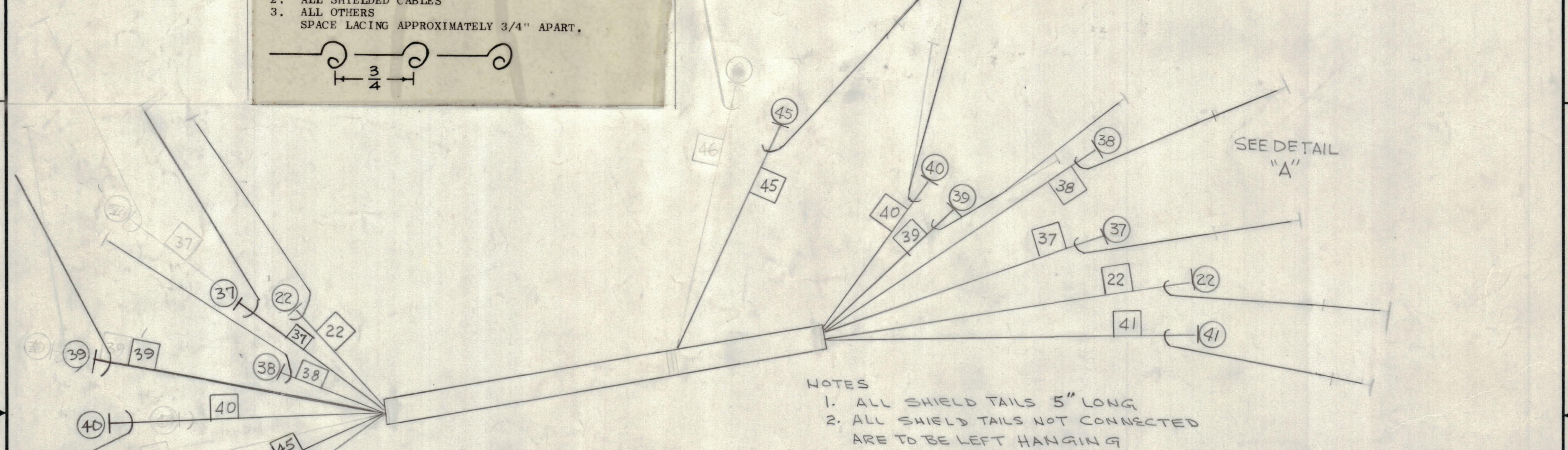
SPACE LACING APPROXIMATELY 3/4" APART.

SYMBOL DENOTES

○ = ITEM No's

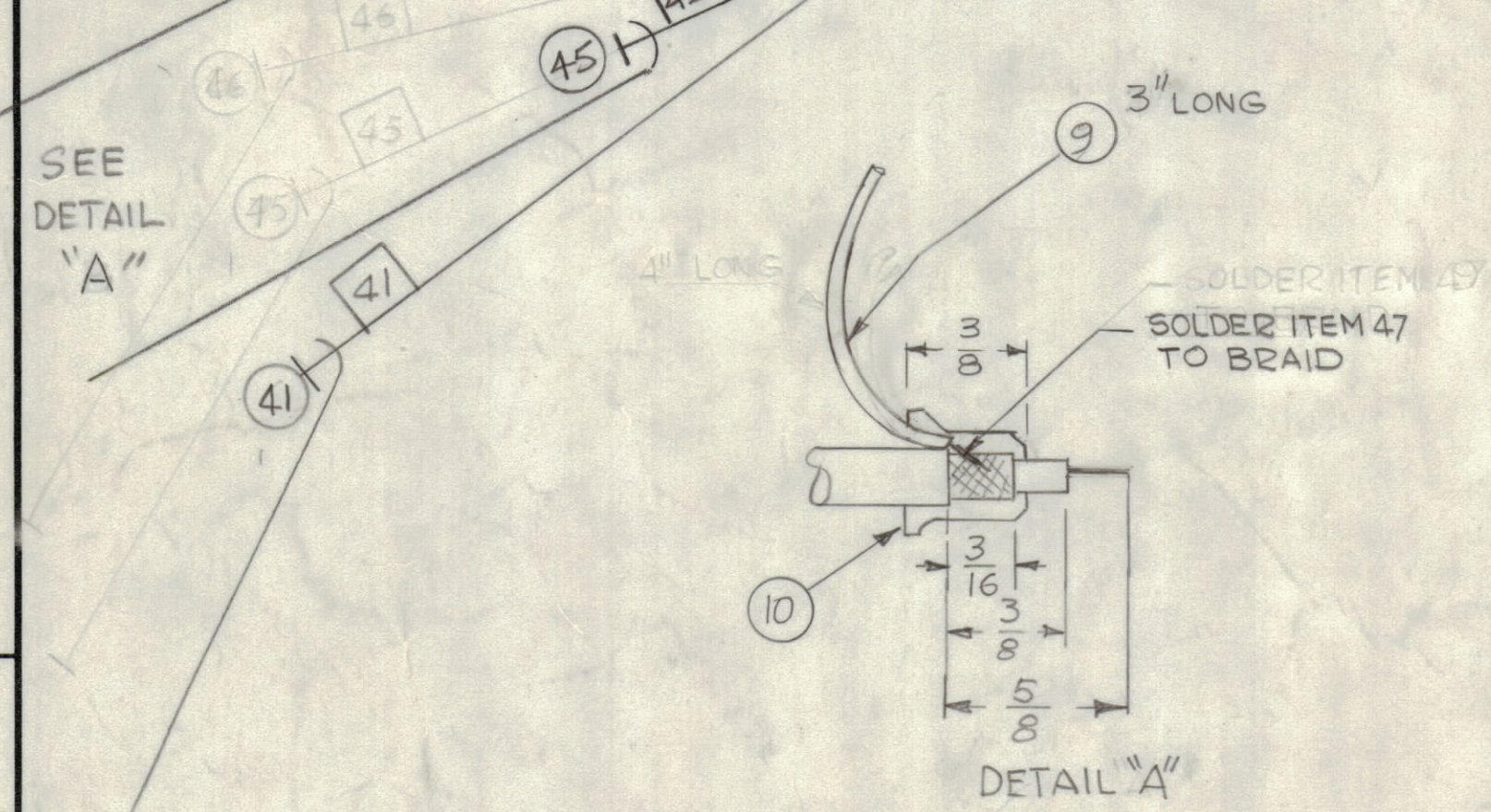
□ 22 = TAGS - DENOTES WIRE NO

REVISIONS						
ZONE	LTR	DESCRIPTION	DATE	E.M.N.NO	DRAFT	CHKD APPD
	X	EXP. RELEASE	7-10-68		GDL	
	X1	COMPLETELY REVISED	7-16-68	X1	JA	
	Ø	ORIGINAL RELEASE TO PROD	7/16/68			



NOTES

1. ALL SHIELD TAILS 5" LONG
2. ALL SHIELD TAILS NOT CONNECTED ARE TO BE LEFT HANGING



NOTE:

ITEMS 1 THRU 21 INCLUSIVE ARE ON CA1430-

ITEMS 23 THRU 36 INCLUSIVE ARE ON CA1430-

X	51	BS 100	SOLDER, TIN ALLOY
X	50	CD101-1MW	CORD, NYLON LACING
16	49	LA 101	BAND MARKER CBL (22, 37, 38, 39, 40, 41, 45)
X	48	PX 830-12-1	INSULATION, SLVG, SHRINK
	47	LWC26(7)00	WIRE ELEC, INS.
	46	DELETED	R105 ARM
	45	RG 174/U	R105, SH TO GRD
	41		S102C FRONT, PIN 2
	40		R104 ARM, SH GRD
	39		R104, SH GRD
	38		R103 ARM, SH GRD
	37		R103 SH GRD
	22	RG 174/U	S102C FRONT, PIN 8

QTY. REQ.	ITEM	PART NO.	FROM	DESCRIPTION	TO	SYMBOL
O. POSE LIST OF MATERIAL						
UNLESS OTHERWISE SPECIFIED DIMENSIONS ARE IN INCHES AND INCLUDE CHEMICALLY APPLIED OR PLATED FINISHES			THE TECHNICAL MATERIEL CORP. MAMARONECK, NEW YORK			
TOLERANCES ON			CABLE PANEL			
DECIMALS .X ± .05 .XX ± .01 .XXX ± .005			SCALE 1:1			
FRACTIONS ± 1/64 ANGLES ± 0°-30'			CODE IDENT. NO. DWG NO. ISSUE			
MATERIAL			C 82679 CA1432			
FINISH			SHEET OF			

1	SME-6	
QTY / UNIT	MODEL USED ON	ASS'Y NO.
APPLICATION		
CODE A	S401-451	
NOTICE TO PERSONS RECEIVING THIS DRAWING		
THE TECHNICAL MATERIEL CORPORATION claims proprietary right in the material disclosed hereon. This drawing is issued in confidence for engineering information only and may not be reproduced or used to manufacture anything shown hereon without permission from THE TECHNICAL MATERIEL CORPORATION to the user. This drawing is loaned for mutual assistance and is subject to recall at any time.		

CA1432

B

A