

IF IT IS FOUND DESIRABLE TO CHANGE ANY TOLERANCE OR OTHER DETAIL SPECIFIED ON THIS DRAWING NOTIFY THE PURCHASER PROMPTLY.

MAXIMUM ALLOWABLE TOLERANCES HAVE BEEN DETERMINED AND DEVIATIONS WILL BE CAUSE FOR REJECTION. REMOVE ALL BURRS AND SHARP EDGES.

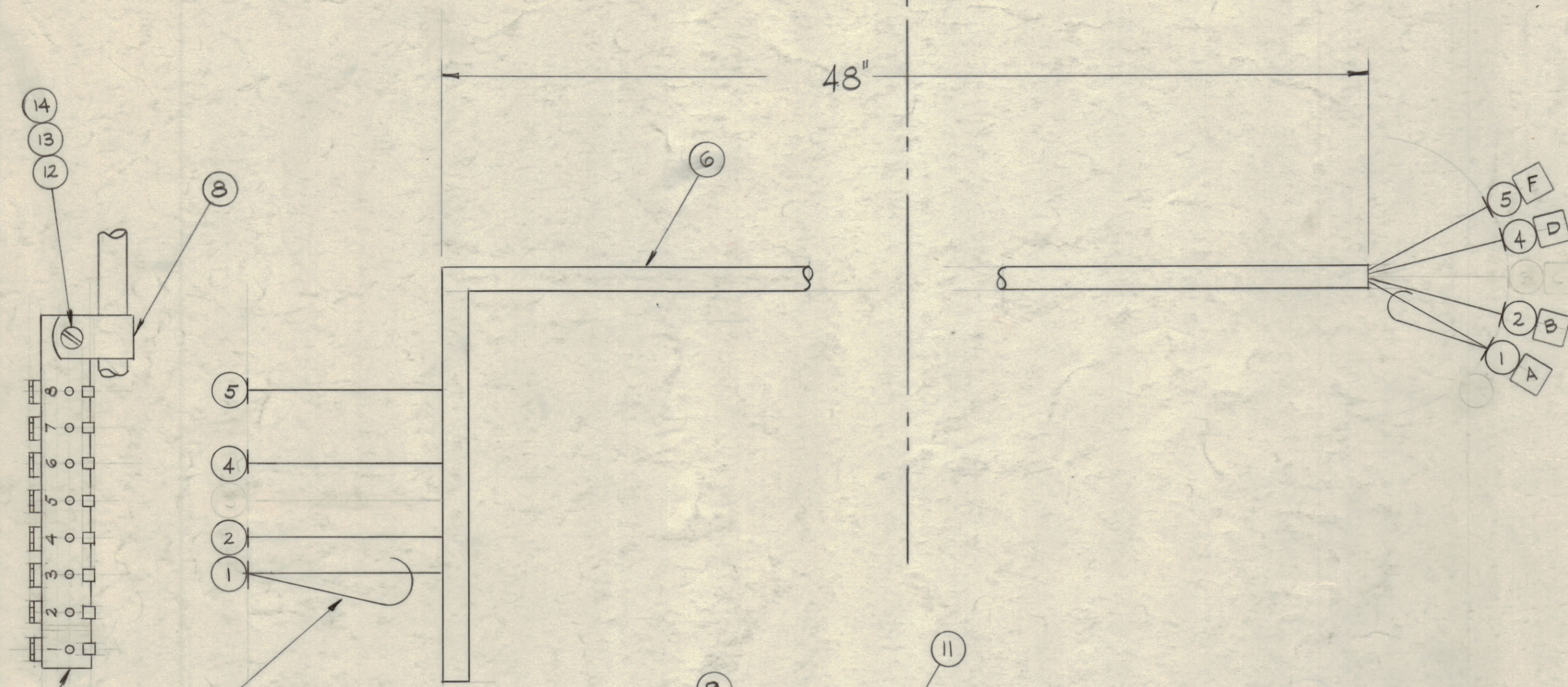
NOTE

CUT PAPER ON THIS LINE AND LENGTHEN TO 48"

NOTICE TO PERSONS RECEIVING THIS DRAWING

THE TECHNICAL MATERIEL CORPORATION claims proprietary right in the material disclosed hereon. This drawing is issued in confidence for engineering information only and may not be reproduced or used to manufacture anything shown hereon without permission from THE TECHNICAL MATERIEL CORPORATION to the user. This drawing is loaned for mutual assistance and is subject to recall at any time.

Property of:
THE TECHNICAL MATERIEL CORPORATION
MAMARONECK, NEW YORK

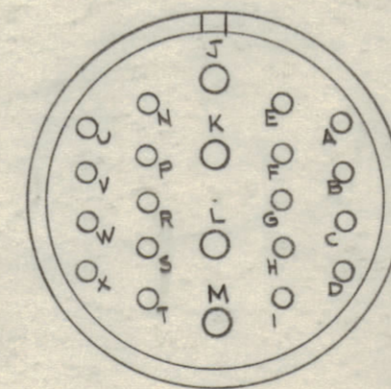
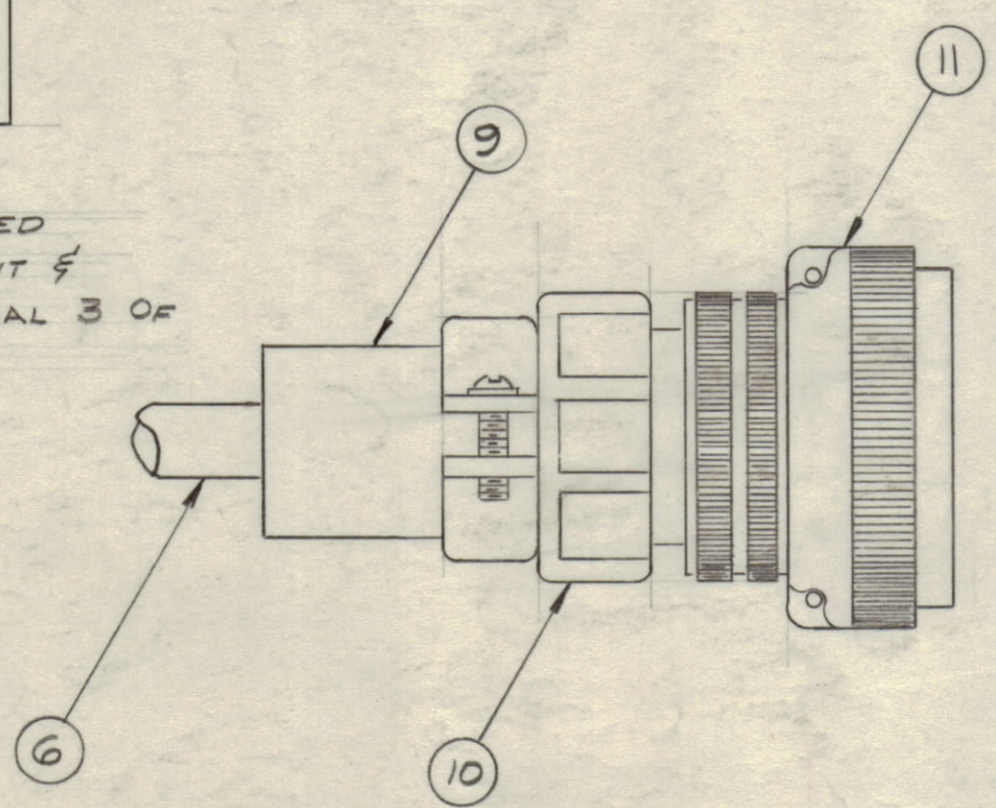


TERMINATE SHIELDS OF ITEMS 1, 2, 3, 4, 5 AT PIN A

CA 508 B

NOTE:

STRIP ALL SHIELDED LEADS AT THIS POINT & SOLDER TO TERMINAL 3 OF ITEM 7.



1	14	NTH0632BNS	NUT, HEX	
1	13	LWEO6MRN	LOCKWASHER, EXT. TOOTH	
1	12	SCB50632BNS	SCREW, MACHINE	
1	11	MS3106B2811P	CONNECTOR, PLUG	D609
1	10	MS3057-16	CABLE, CLAMP	
X	9	MS3420-16A	SLEEVING, RUBBER	
1	8	CU-102-5	CLAMP "G" TYPE	
1	7	TM-105-8AR	FANNING STRIP, BARRIER TYPE	E606
X	6	PX-100-1,250	INSULATION, SLEEVING	BLACK
	5	MWC22(7)S1	CABLE INSULATED, SHIELDED	BROWN
	4	MWC22(7)S2	CABLE, INSULATED, SHIELDED	RED
#	3	DELETED	"	"
	2	MWC22(7)S4	CABLE, INSULATED, SHIELDED	YELLOW
	1	MWC22(7)S5	CABLE INSULATED, SHIELDED	GREEN

REQ. ITEM	PART NO.	DESCRIPTION	SYMBOL
THE TECHNICAL MATERIEL CORP. MAMARONECK, NEW YORK			
STOCK SIZE		XFK-INTERCONNECT CABLE	
MATERIAL		SBT-1K C & D	
TYPE & TEMPER		TERMINAL	P.A.
		DRAWN	ELEC. DES. APP.
		CHECKED	MECH. DES. APP.
		FINAL APPROVAL	
		CA-508 B	
FINISH & SPEC. NO.			

B	4	Item 7 E606 Added, #11 P609 Added	2-23-61	4223	RU	SCB	RK
	3	Item 11 was MS3106A2811P					
	2	Item 12 was NTH0632BCB					
	1	Item 14 was NTH0632BCB					
A	1	ITEM 3 DELETED WAS MWC 22 (7) S3	1-31-61	4083	MAF	SCB	RK
ISSUE	ITEM	CHANGED FROM	DATE	CH. NO.	DRAFTS	CHECKER	ENG. APP.
TOLERANCES		SCALE:					
ALL OTHERS	DEC. DIM. ± FRAC. DIM. ± ANGULAR DIM. ±	DRILL, PUNCH, COMMERCIAL STOCK SIZES AND MANUFACTURERS TOLERANCES ARE NOT INCLUDED.					

1	SBT-1K C			12-12-59
1	SBT-1K D			12-12-59
REQ. PER UNIT	MODEL	PROJECT NO.	ASSY. NO.	DATE
USED ON				