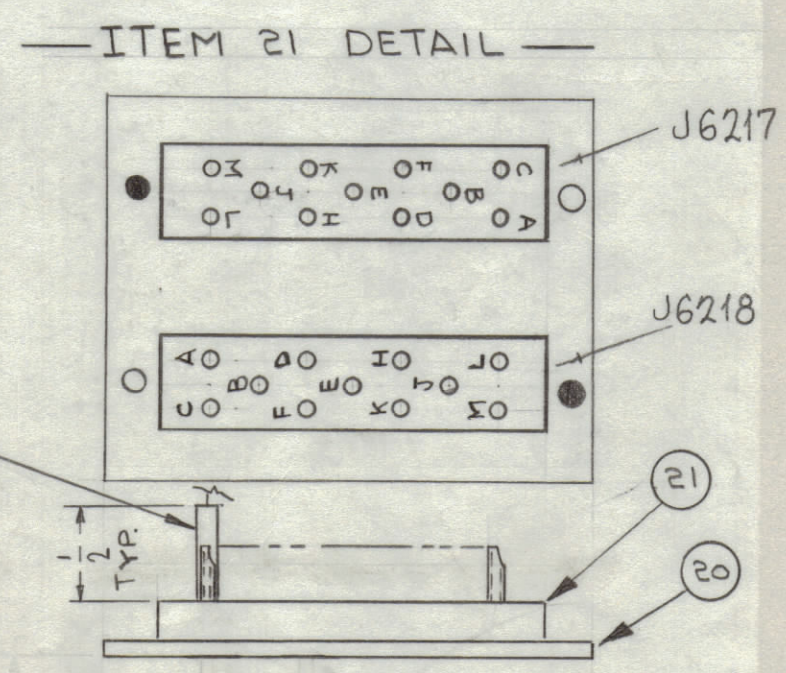
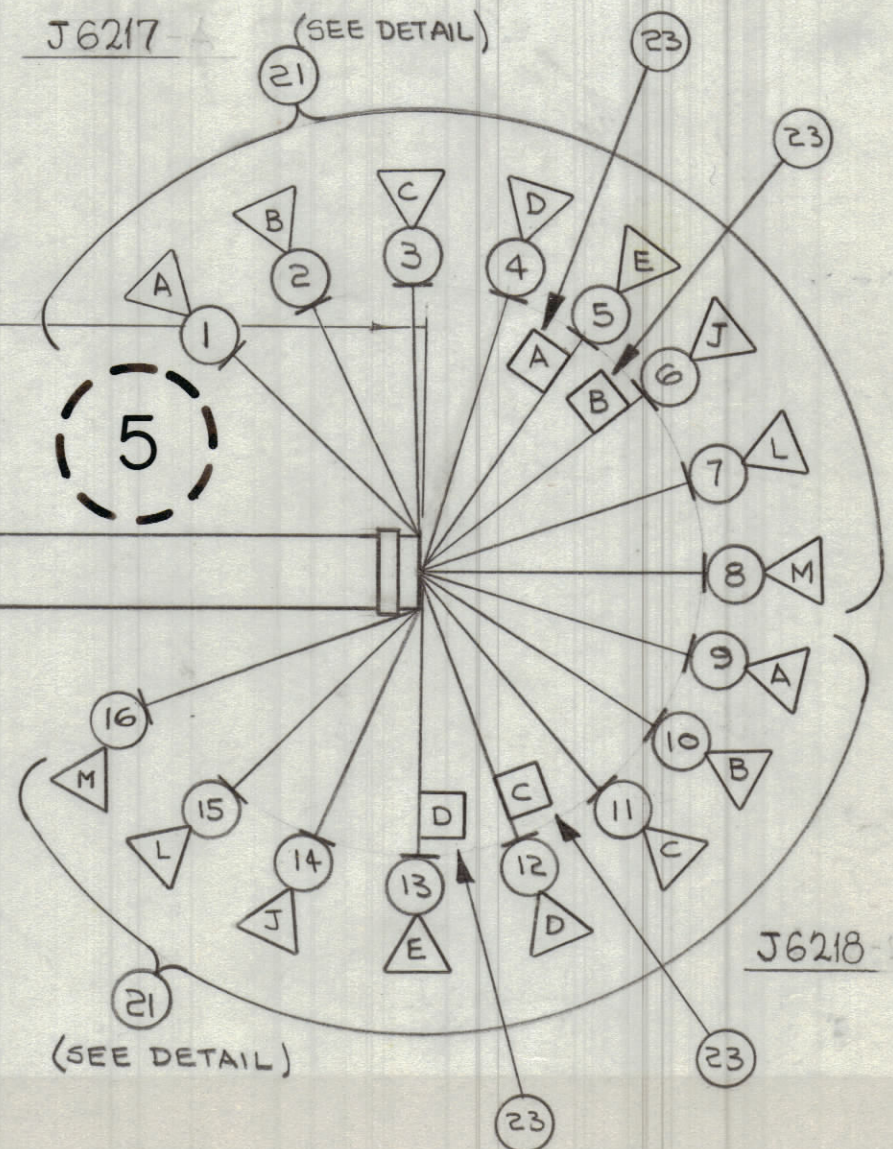
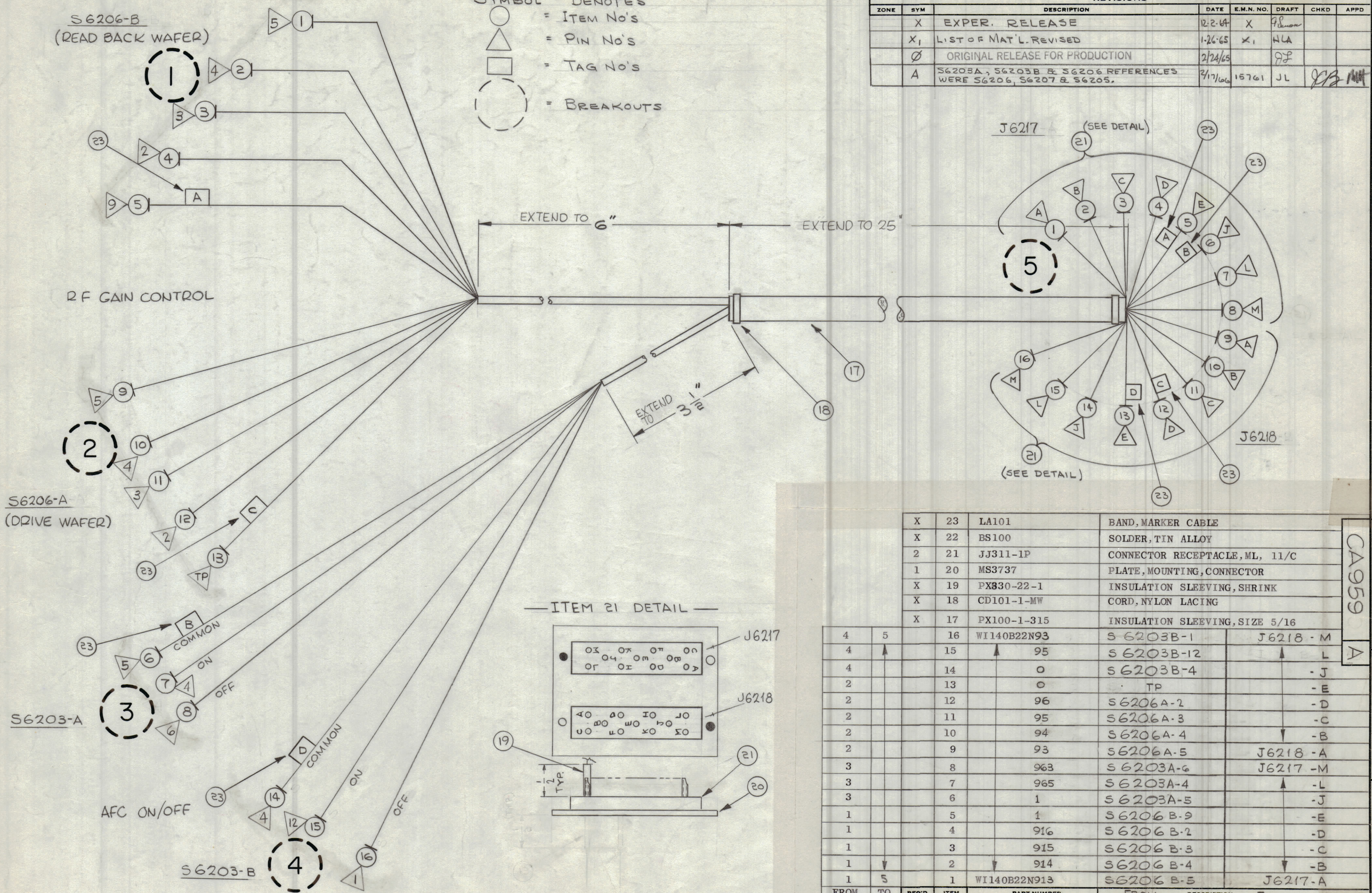


REVISIONS						
ZONE	SYM	DESCRIPTION	DATE	E.M.N. NO.	DRAFT	CHKD
X		EXPER. RELEASE	12-2-64	X	FL	
X <sub>1</sub>		LIST OF MAT'L. REVISED	1-26-65	X <sub>1</sub>	NLA	
Ø		ORIGINAL RELEASE FOR PRODUCTION	2/24/65		JP	
A		S6203A, S6203B & S6206 REFERENCES WERE S6206, S6207 & S6205.	2/17/66	15761	JL	JPB

SYMBOL DENOTES  
 ○ = ITEM No's  
 △ = PIN No's  
 □ = TAG No's  
 ○ (dashed) = BREAKOUTS



FROM	TO	REQ'D.	ITEM	PART NUMBER	FROM	DESCRIPTION	TO
X	23		LA101			BAND, MARKER CABLE	
X	22		BS100			SOLDER, TIN ALLOY	
2	21		JJ311-1P			CONNECTOR RECEPTACLE, ML, 11/C	
1	20		MS3737			PLATE, MOUNTING, CONNECTOR	
X	19		PX330-22-1			INSULATION SLEEVING, SHRINK	
X	18		CD101-1-MW			CORD, NYLON LACING	
X	17		PX100-1-315			INSULATION SLEEVING, SIZE 5/16	
4	5		16	WI140B22N93		S 6203B-1	J6218 - M
4	↑		15	95		S 6203B-12	↑ L
4	↑		14	0		S 6203B-4	↑ - J
2			13	0		TP	- E
2			12	96		S 6206A-2	- D
2			11	95		S 6206A-3	- C
2			10	94		S 6206A-4	↓ - B
2			9	93		S 6206A-5	J6218 - A
3			8	963		S 6203A-6	J6217 - M
3			7	965		S 6203A-4	↑ - L
3			6	1		S 6203A-5	- J
1			5	1		S 6206 B-9	- E
1			4	916		S 6206 B-2	- D
1			3	915		S 6206 B-3	- C
1	↓		2	914		S 6206 B-4	↓ - B
1	5		1	WI140B22N913		S 6206 B-5	J6217 - A

CA959 A

WIRES SHOULD BE PLACED IN CABLE IN NUMERICAL SEQUENCE AS THEY APPEAR IN ITEM COLUMN. SPACE LACING APPROXIMATELY 3/4" APART.

THIS SYMBOL DENOTES END OF INSULATION AND NAIL DRIVING POINT. WIRE MUST BE STRIPPED 3/4" BEYOND THIS POINT AND TINNED 1/2" UNLESS OTHERWISE SPECIFIED.

1	HFIR-1	
Q'TY./UNIT	MODEL USED ON	ASS'Y. NO.
SCALE 1:1	CODE A	

F. EATON		LIST OF MATERIAL	
MATERIAL		THE TECHNICAL MATERIEL CORP. MAMARONECK, NEW YORK	
FINISH		TITLE WIRING HARNESS, BRANCHED	
UNLESS OTHERWISE SPECIFIED DIMENSIONS ARE IN INCHES AND INCLUDE CHEMICALLY APPLIED OR PLATED FINISHES		DRAWN	
DECIMALS .X ± .05 .XX ± .01 .XXX ± .005		DATE 12-2-64	
FRACTIONS ± 1/64 ANGLES ± 0° 30'		CHECKED	
TOLERANCES		DATE 2/24/65	
		ELECT. DES.	
		MECH. DES.	
		DATE 2/24/65	
		FINAL APPROVAL	
		DATE	
		SHEET CA959	
		REV. LTR. A	