

THE CONTENTS OF THIS DRAWING ARE THE EXCLUSIVE PROPERTY OF THE TECHNICAL MATERIEL CORP. ITS UNAUTHORIZED USE OR REPRODUCTION IN WHOLE OR IN PART IS STRICTLY FORBIDDEN.

REQ. PER UNIT
1

MODEL
CAB-2

USED ON
ASSY. NO.

1-13-62

DATE

CAB-2

SPECIFICATIONS

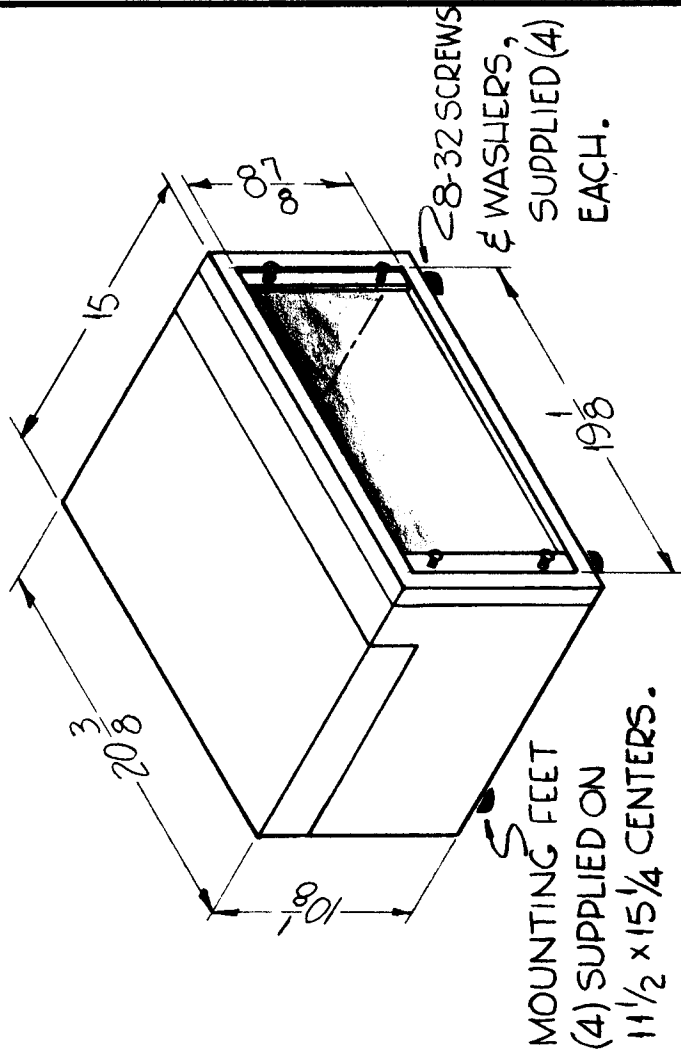
OVERALL DIM. ~ $20\frac{3}{8} \times 15 \times 10\frac{1}{8}$
 CABINET MATERIAL ~ Steel Cold Rolled
 CABINET FINISH ~ RCAF Gray Enamel
 PANEL MTG. ~ Universal Spacing
 PANEL SIZE ~ $20\frac{3}{8} \times 15 \times 10\frac{1}{8}$
 MTG. DIM. ~ $15\frac{1}{4} \times 11\frac{1}{2}$

NOTICE TO PERSONS RECEIVING THIS DRAWING

THE TECHNICAL MATERIEL CORPORATION claims proprietary right in the material disclosed herein. This drawing is issued in confidence and containing information only and may not be reproduced or used to manufacture any thing shown hereon without permission from THE TECHNICAL MATERIEL CORPORATION to the user. This drawing is loaned for initial assistance and is subject to recall at any time.

Property of:

THE TECHNICAL MATERIEL CORPORATION
 MAMARONECK, NEW YORK



REQ. ITEM	PART NO.	DESCRIPTION	SYMBOL
		THE TECHNICAL MATERIEL CORP. MAMARONECK, NEW YORK	
		CABINET, ELECTRICAL EQUIP.	
		MATERIAL	
		DRAWN	FINAL APPROVAL
		CHECKED	
		ELEC. DES. APP. MECH. DES. APP.	
		FINISH & SPEC. NO.	
		SCALE: A-2283	
		DATE	
		CH. NO.	
		DRAFTS	
		CHECKER	
		ENG. APP.	
		UNLESS OTHERWISE SPECIFIED:	
		DIMENSIONS ARE IN INCHES	
		TOLERANCES ON	
		FRAC. $\pm 1/64$ DEC. $\pm .003$ ANGLES $\pm 1/2^\circ$	