

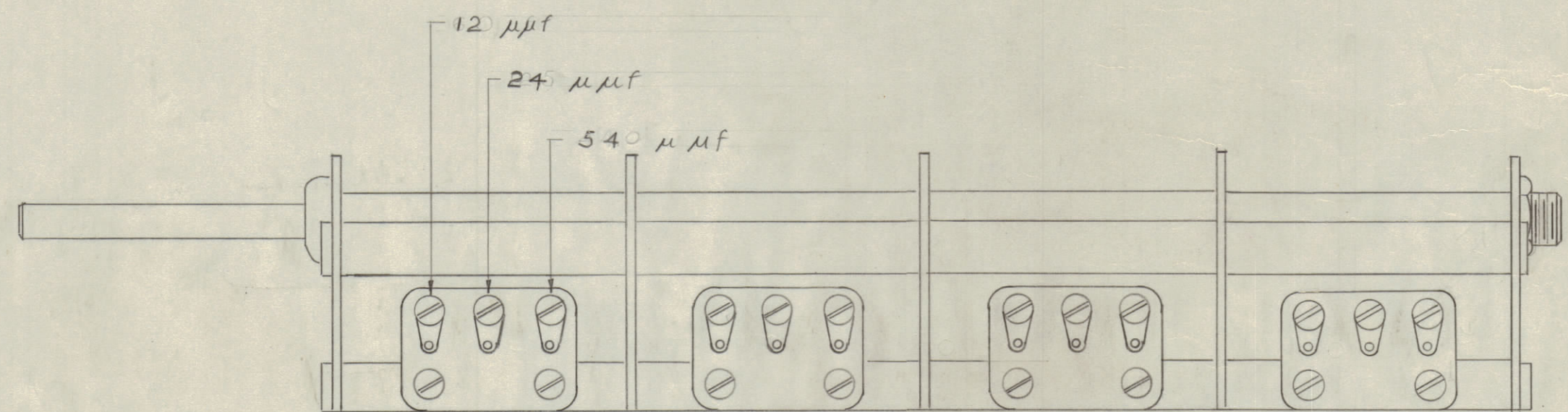
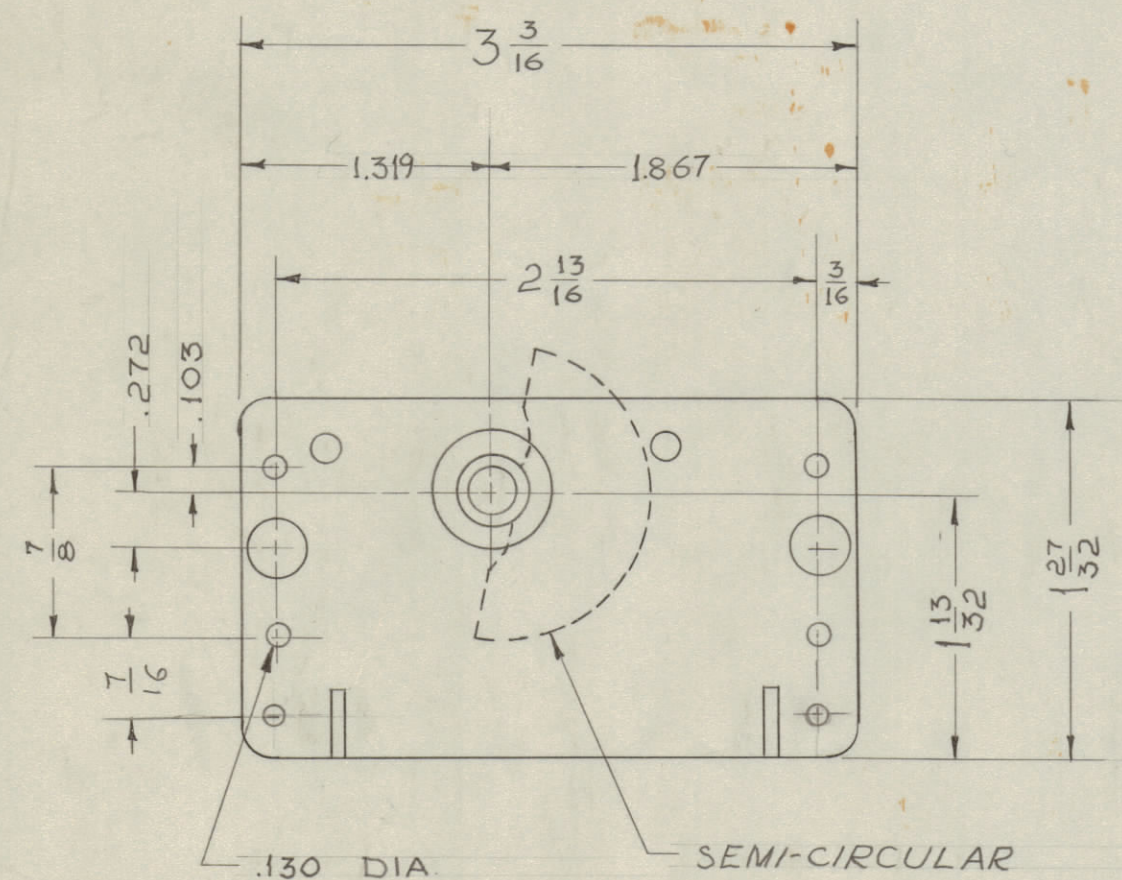
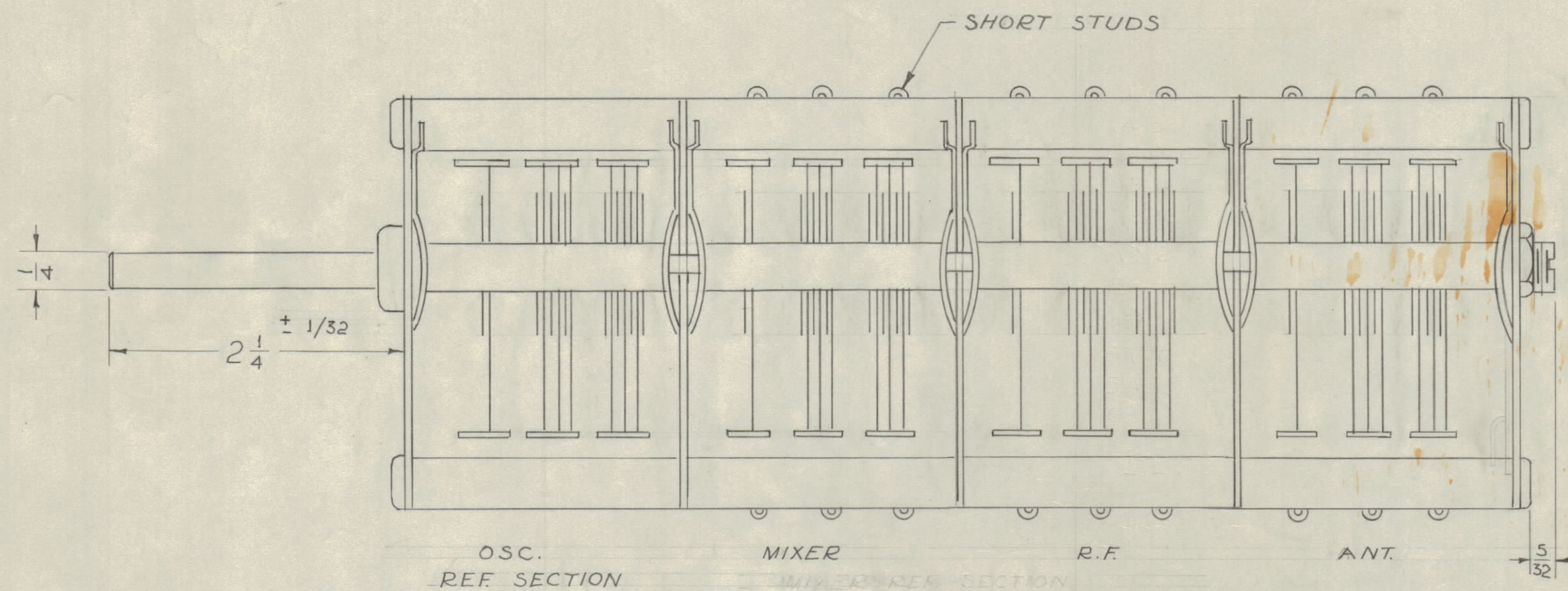
IF IT IS FOUND DESIRABLE TO CHANGE ANY TOLERANCE OR OTHER DETAIL SPECIFIED ON THIS DRAWING NOTIFY THE PURCHASER PROMPTLY.

MAXIMUM ALLOWABLE TOLERANCES HAVE BEEN DETERMINED AND DEVIATIONS WILL BE CAUSE FOR REJECTION. REMOVE ALL BURRS AND SHARP EDGES

NOTICE TO PERSONS RECEIVING THIS DRAWING

THE TECHNICAL MATERIEL CORPORATION claims proprietary right in the material disclosed hereon. This drawing is issued in confidence for engineering information only and may not be reproduced or used to manufacture anything shown hereon without permission from THE TECHNICAL MATERIEL CORPORATION to the user. This drawing is loaned for mutual assistance and is subject to recall at any time.

Property of:
THE TECHNICAL MATERIEL CORPORATION
MAMARONECK, NEW YORK



CB-120 B

MFG - RADIO CONDENSER CO.
SERIES 421
PLATES - STEEL, CADMIUM PLATED
4 SECTIONS
3 STATORS PER SECTION
ROTOR PLATES - SEMI-CIRCULAR,
AND 360° ROTATION
8 WIPERS
CERAMIC INSULATION
SHORT FRAME

BAND SPREAD

B	CAPACITY CHANGE	8-27-54	RB	PLK	G.T.O	
A	HOLES ADDED	8-26-54	RB	PLK	G.T.O	
ISSUE	ITEM	CHANGED FROM	DATE	CN. NO. DRAFTS	CHECKER	ENG. APP.
TOLERANCES			SCALE:			
ALL OTHERS	DEC. DIM. ±	FRAC. DIM. ±	ANGULAR DIM. ±	DRILL, PUNCH, COMMERCIAL STOCK SIZES AND MANUFACTURERS TOLERANCES ARE NOT INCLUDED.		

VTR.	247		
MODEL	PROJECT NO.	ASS'Y. NO.	DATE
USED ON			

REQ. ITEM	PART NO.	DESCRIPTION	SYMBOL
STOCK SIZE		THE TECHNICAL MATERIEL CORP. MAMARONECK, NEW YORK	
MATERIAL		CAPACITOR, VARIABLE	
WEIGHT PER PC.		AIR TUNING	
TYPE & TEMPER		P.B. 8-20-54	G.T.O
HEAT TREAT. SPEC.		DRAWN	ELEC. DES. APP. MECH. DES. APP.
FINISH & SPEC. NO.		CHECKED	FINAL APPROVAL
			G.T.O
			CB-120 B