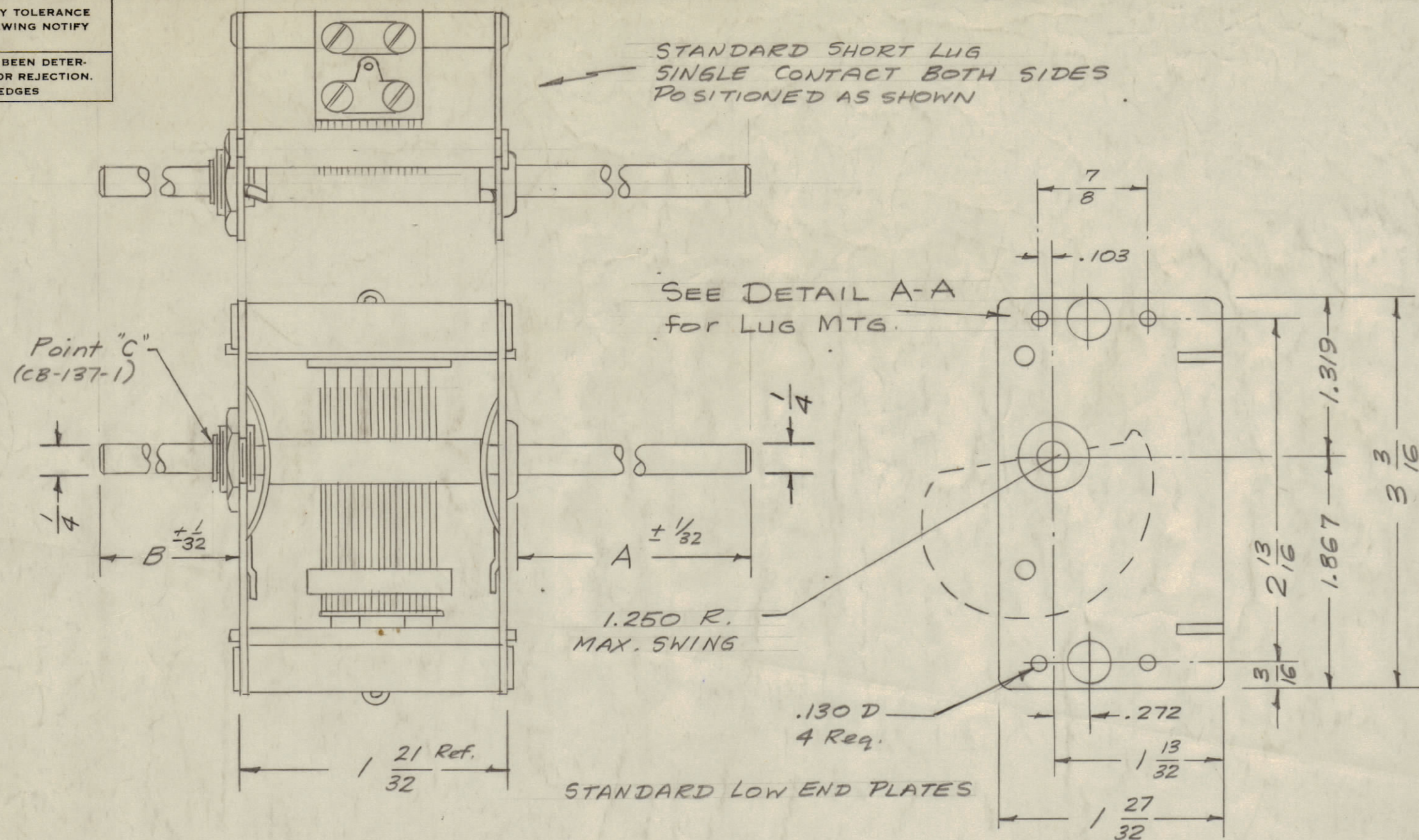


IF IT IS FOUND DESIRABLE TO CHANGE ANY TOLERANCE OR OTHER DETAIL SPECIFIED ON THIS DRAWING NOTIFY THE PURCHASER PROMPTLY.

MAXIMUM ALLOWABLE TOLERANCES HAVE BEEN DETERMINED AND DEVIATIONS WILL BE CAUSE FOR REJECTION. REMOVE ALL BURRS AND SHARP EDGES



NOTICE TO PERSONS USING THIS DRAWING

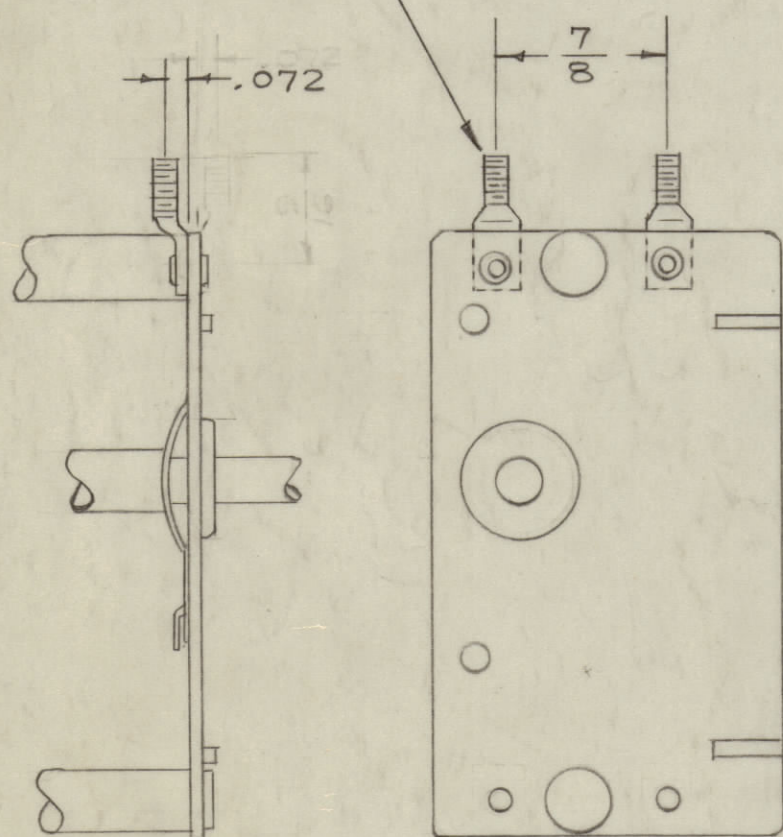
THE TECHNICAL MATERIEL CORPORATION claims proprietary right in the material disclosed hereon. This drawing is issued in confidence for engineering information only and may not be reproduced or used to manufacture anything shown hereon without permission from THE TECHNICAL MATERIEL CORPORATION to the user. This drawing is loaned for mutual assistance and is subject to recall at any time.

Property of:

THE TECHNICAL MATERIEL CORPORATION
MAMARONECK, NEW YORK

% of ROTATION	CAP. (mmf.) 21 PLATE
0	0
10	4.7
20	14.3
25	19.8
30	26.1
40	41.7
50	63.9
60	95.4
70	136.1
75	158.5
80	181.4
90	226.7
100	270.0
MIN.	12.5

Spade Lugs must be Equivalent to TMC Type SC-107-1.



DETAIL A-A
(FRONT PLATE)

SERIES 17 - TYPE K 1 SECTION
C.C.W. ROTATION FOR MAX. CAP.
CERAMIC STATOR INSULATION.

SECTION
STEEL ROTOR PLATES - 11
STEEL STATOR PLATES - 10
AIR GAP - .0235
MAX. CAP. - APPROX. 282
CAP. TOL. - ACCORDING TO RADIO COND. CORP. SPECS.

ROTOR SHAFT - COLD ROLLED STEEL
LENGTHS AS SPEC. IN CHART.
WIPERS - SPRING BRASS - POSITIONED AS SHOWN
AND SOLDER TO END PLATES.
FINISH - ALL PARTS - CADMIUM PLATE.

CB-137 B

TMC NO.	SHAFT LENGTH DIM.		USED ON MODEL	QUAN. PER. UNIT
	A	B		
CB-137-1	3/16	FLUSH WITH POINT "C"	SBE	1
CB-137-2	3/16	7/16	SBE	1
CB-137-3	3/8	7/16	SBE	1

REF- RADIO COND. CORP.

REQ. ITEM	PART NO.	DESCRIPTION	SYMBOL
THE TECHNICAL MATERIEL CORP. MAMARONECK, NEW YORK			
STOCK SIZE			
CAPACITOR, VARIABLE,			
MATERIAL WEIGHT PER PC. AIR			
TYPE & TEMPER			
		16 8/29/57	DRB
		3-14-58	DRB
		8-29-57	DRB
HEAT TREAT. SPEC.			
		CHECKED	FINAL APPROVAL
FINISH & SPEC. NO.			
CB-137 B			

B	1	INCREASED DIM. "B" FROM 3/16 TO 7/16"	5/6/60	2232	CY	DRB	DRB
A	1	DETAIL A-A ADDED APPLIES TO CB-137-1,2,3	3/14/58	1	KB	DRB	DRB
ISSUE ITEM		CHANGED FROM	DATE	CN. NO.	DRAFTS	CHECKER	ENG. APP.
TOLERANCES		SCALE:					
ALL OTHERS	DEC. DIM. \pm FRAC. DIM. \pm ANGULAR DIM. \pm	DRILL, PUNCH, COMMERCIAL STOCK SIZES AND MANUFACTURERS TOLERANCES ARE NOT INCLUDED.					

REQ. PER UNIT	MODEL	PROJECT NO.	ASS'Y. NO.	DATE
SEE CHART	SBE-3		AX-204	11-30-59
SEE CHART	SBE-2			3-14-58
SEE CHART	SBE-1			8-29-57
REQ. PER UNIT	MODEL	PROJECT NO.	ASS'Y. NO.	DATE
USED ON				