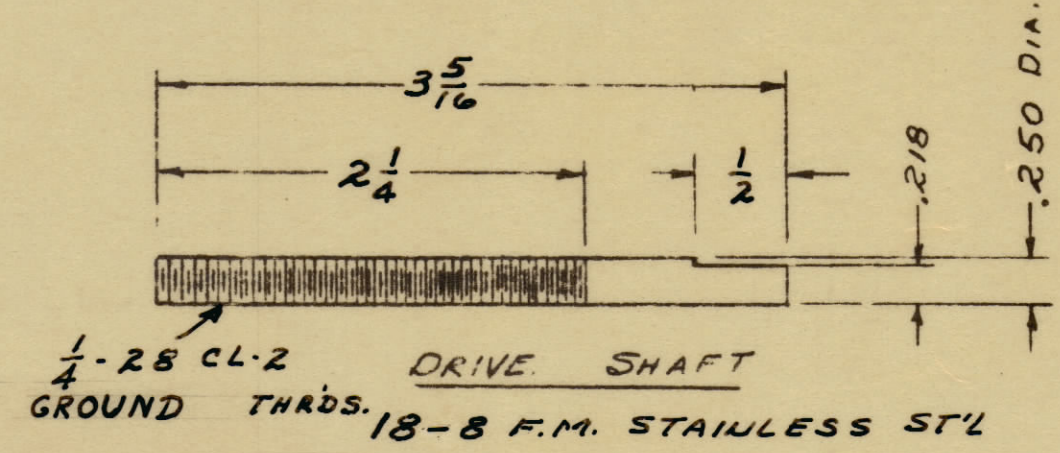
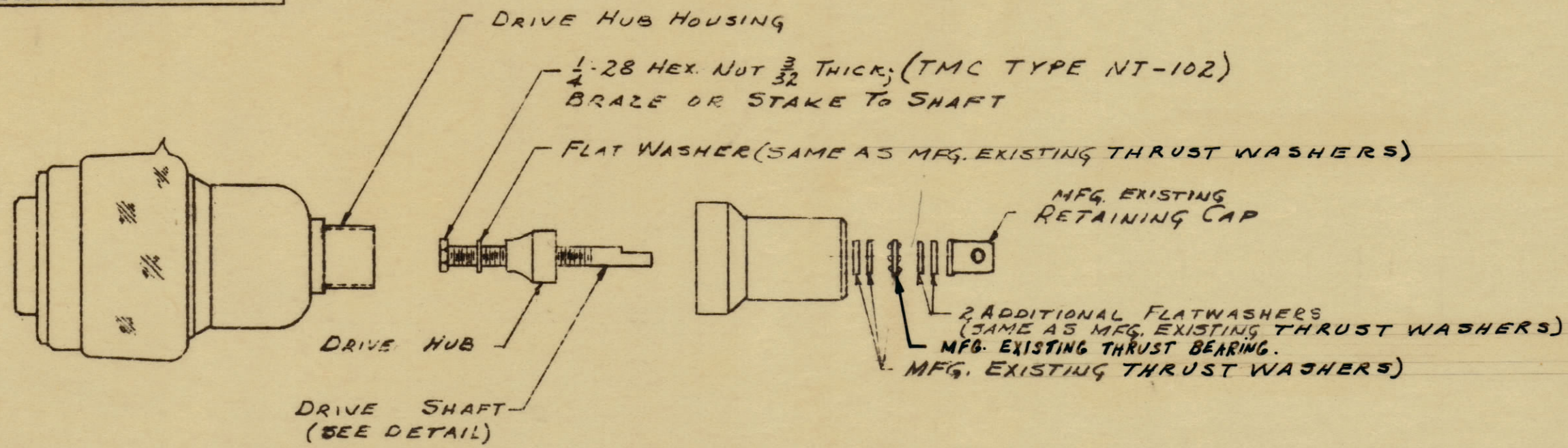
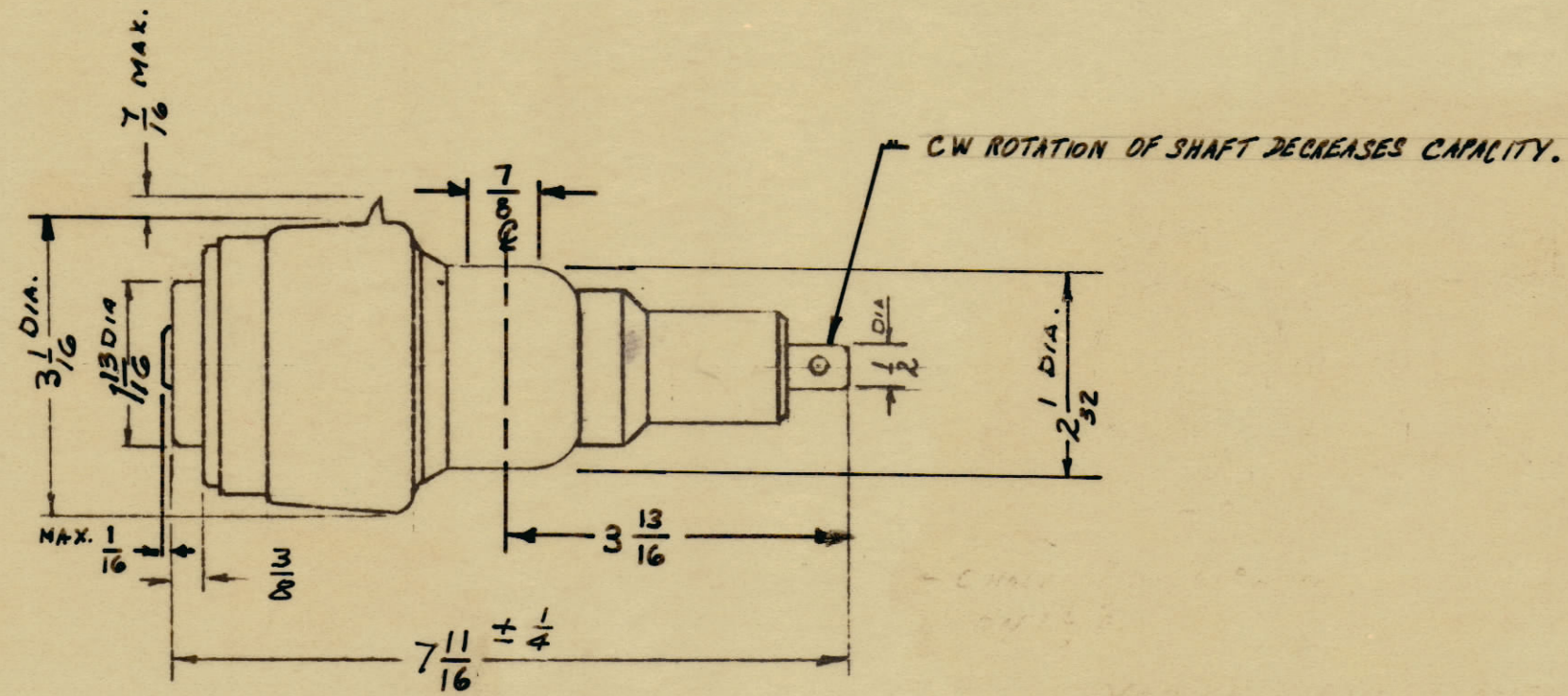


IF IT IS FOUND DESIRABLE TO CHANGE ANY TOLERANCE OR OTHER DETAIL SPECIFIED ON THIS DRAWING NOTIFY THE PURCHASER PROMPTLY.

MAXIMUM ALLOWABLE TOLERANCES HAVE BEEN DETERMINED AND DEVIATIONS WILL BE CAUSE FOR REJECTION. REMOVE ALL BURRS AND SHARP EDGES.



CAPACITANCE - 7-1000 MMFD.
 VOLTAGE - 3 KV (PEAK)
 CURRENT RATING - 42 AMPS RMS



FINISHED ASSEMBLED ITEM

CB-144 C

FLANGE REF { FIXED END - PD-185-1
 (TMC ONLY) { VAR. END - PD-185-2

NOTICE TO PERSONS RECEIVING THIS DRAWING
 THE TECHNICAL MATERIEL CORPORATION claims proprietary right in the material disclosed hereon. This drawing is issued in confidence for engineering information only and may not be reproduced or used to manufacture anything shown hereon without permission from THE TECHNICAL MATERIEL CORPORATION to the user. This drawing is loaned for mutual assistance and is subject to recall at any time.
 Property of:
 THE TECHNICAL MATERIEL CORPORATION
 MAMARONECK, NEW YORK

TMC - CB-143-1000-3A } MODIFIED AS SHOWN
 REF. UCBL-7-1000-3KV

C	1	ON TOL CHART FRAC. 1/32 WAS 1/24	11-9-61	5815	G.D.		
B	3	7 11/16 DIM WAS 7 9/16					
	2	CW ROTATION NOTE	5-12-61	4872	W.D.G.	JCB	
	1	DIMS. 3 13/16, 7/8 & 1 1/16 ADDED					
A		FLANGE REF. ADDED	10/1/59				
ISSUE	ITEM	CHANGED FROM	DATE	CH. NO.	DRAFTS	CHECKER	ENG. APP.
TOLERANCES			SCALE: NTS				
ALL OTHERS	DEC. DIM. ± FRAC. DIM. ± 1/32 ANGULAR DIM. ±		DRILL PUNCH. COMMERCIAL STOCK SIZES AND MANUFACTURERS TOLERANCES ARE NOT INCLUDED.				

1	AM-100		A-1622	
REQ. PER UNIT	MODEL	PROJECT NO.	ASSY. NO.	DATE
USED ON				

REQ. ITEM	PART NO.	DESCRIPTION	SYMBOL
		THE TECHNICAL MATERIEL CORP. MAMARONECK, NEW YORK	
STOCK SIZE		CAPACITOR, VAR., VAC. 7-1000 MMFD.	
MATERIAL		(W/LOCKING SHAFT)	
TYPE & TEMPER		16	9.6.
HEAT TREAT. SPEC.		CHECKED	FINAL APPROVAL
FINISH & SPEC. NO.			CB-144 C