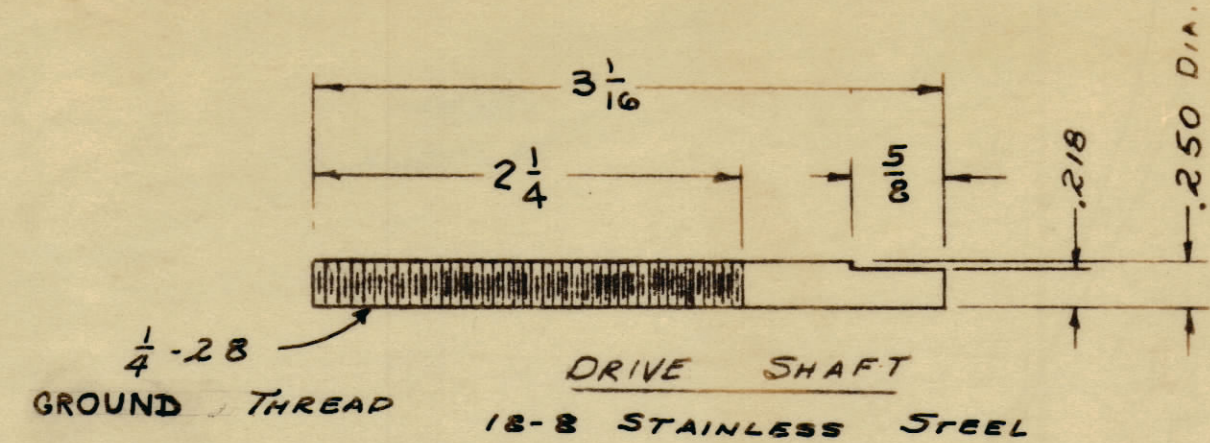
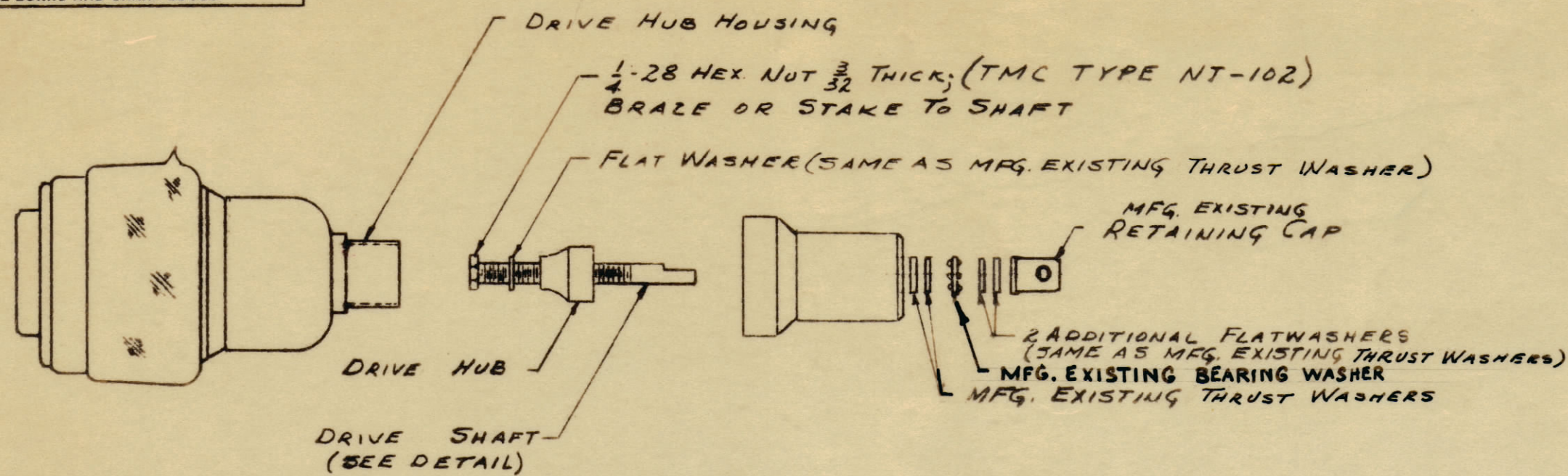
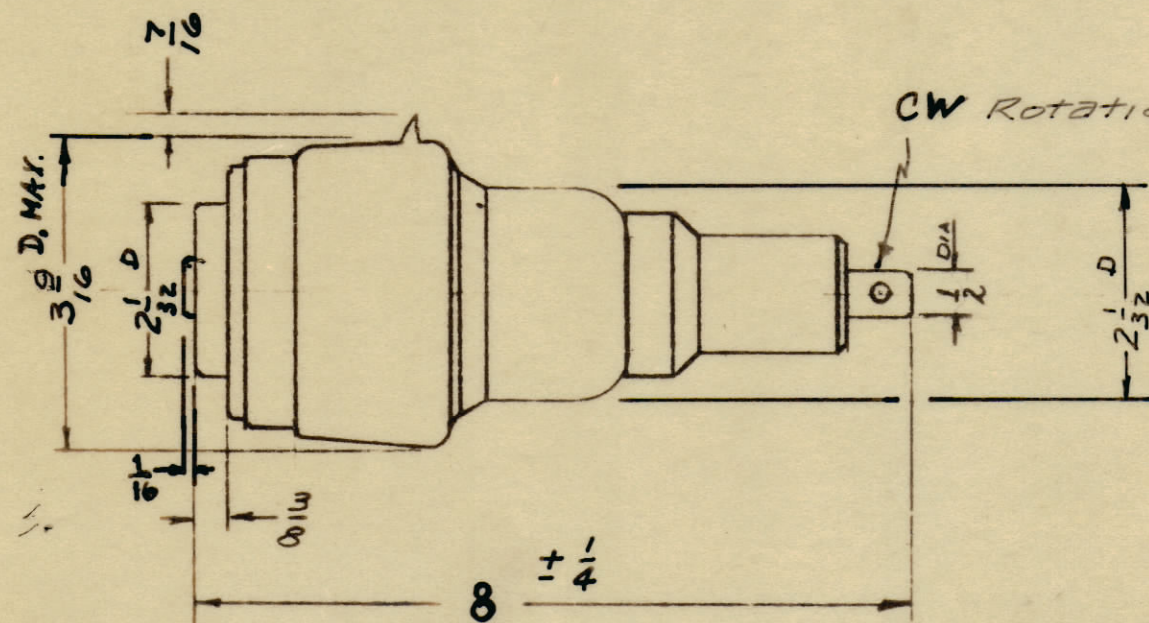


IF IT IS FOUND DESIRABLE TO CHANGE ANY TOLERANCE OR OTHER DETAIL SPECIFIED ON THIS DRAWING NOTIFY THE PURCHASER PROMPTLY.

MAXIMUM ALLOWABLE TOLERANCES HAVE BEEN DETERMINED AND DEVIATIONS WILL BE CAUSE FOR REJECTION. REMOVE ALL BURRS AND SHARP EDGES.



CAPACITANCE - 12-500 μ fd
 VOLTAGE - 15 KV PEAK
 CURRENT RATING - 45 AMPS. RMS



FINISHED ASSEMBLED ITEM

CB-148 B

Mounting Flange Ref. for TMC USE ONLY
 Fixed End Flange - PD-186-3
 Variable End Flange - PD-185-2

TMC Purchasing Note - Do Not order these Mounting Flanges with this Capacitor, as they may not be required.

REF. TMC - CB-142-500-15A } MODIFIED AS SHOWN
 UCSF-12-500-15KV

NOTICE TO PERSONS RECEIVING THIS DRAWING

THE TECHNICAL MATERIEL CORPORATION claims proprietary right in the material disclosed hereon. This drawing is issued in confidence for engineering information only and may not be reproduced or used to manufacture anything shown hereon without permission from THE TECHNICAL MATERIEL CORPORATION to the user. This drawing is loaned for mutual assistance and is subject to recall at any time.

Property of:
 THE TECHNICAL MATERIEL CORPORATION
 MAMARONECK, NEW YORK

B	1	ON TOL. CHART FRAC. DIM. 1/32 WAS 1/64	11-9-61	5815	GDL		
A	2	CW Rotation was CCW	5-11-61	4843	MIG	JCS	
	1	B DIM WAS 7/34					
ISSUE	ITEM	CHANGED FROM	DATE	CH. NO.	DRAFTS	CHECKER	ENG. APP.
TOLERANCES		SCALE: NTS					
ALL OTHERS	DEC. DIM. \pm FRAC. DIM. \pm 1/32 ANGULAR DIM. \pm		DRILL PUNCH. COMMERCIAL STOCK SIZES AND MANUFACTURERS TOLERANCES ARE NOT INCLUDED.				

1	GPT-40K	AT-101	AM-112	
1	AM-104	AX-137	A-1694	
REQ PER UNIT	MODEL	PROJECT NO.	ASSY. NO.	DATE
USED ON				

REQ. ITEM	PART NO.	DESCRIPTION	SYMBOL
THE TECHNICAL MATERIEL CORP. MAMARONECK, NEW YORK			
STOCK SIZE			
CAPACITOR, VAR. VAC., 12-500 μ fd			
MATERIAL WEIGHT PER PC. (W/LOCKING SHAFT)			
TYPE & TEMPER			
DRAWN		ELEC. DES. APP.	MECH. DES. APP.
HEAT TREAT SPEC.		CHECKED	FINAL APPROVAL
FINISH & SPEC. NO.		CB-148 B	