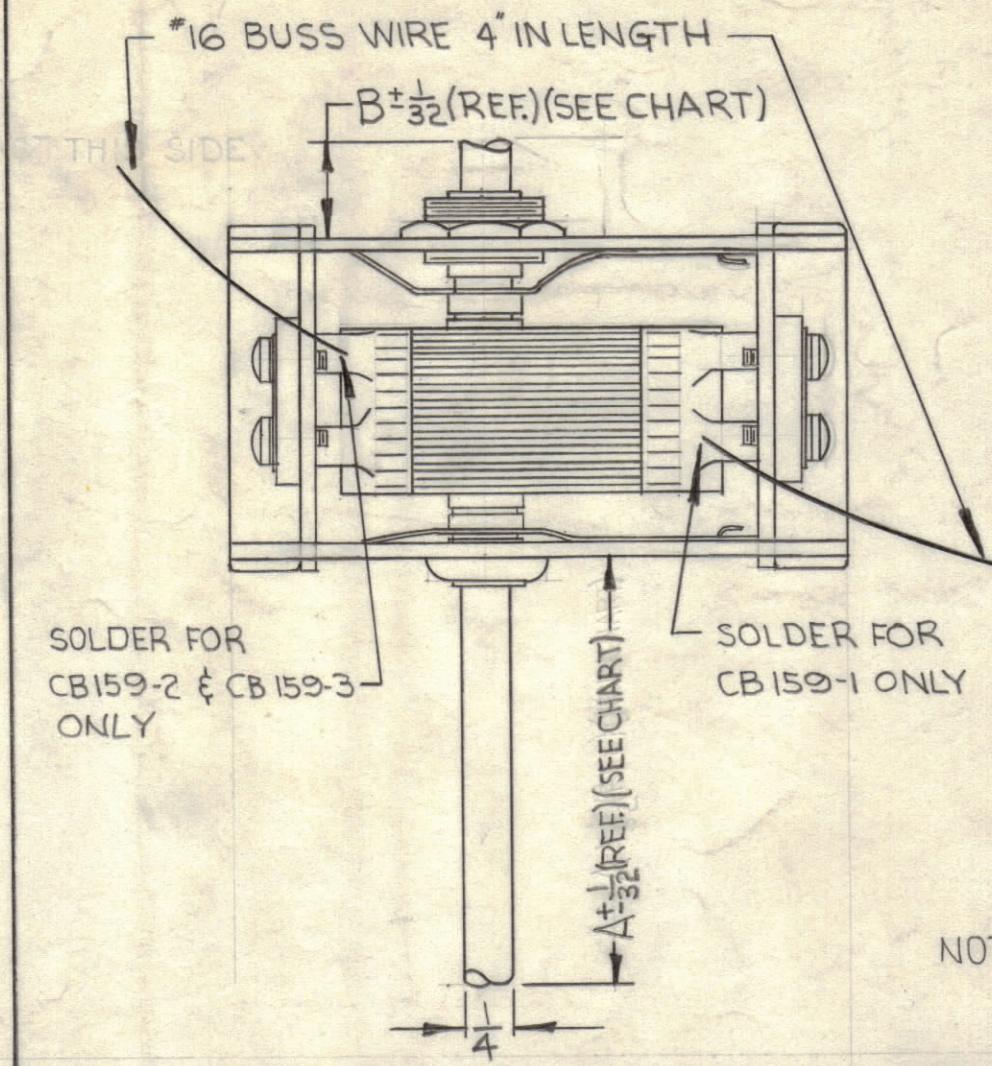
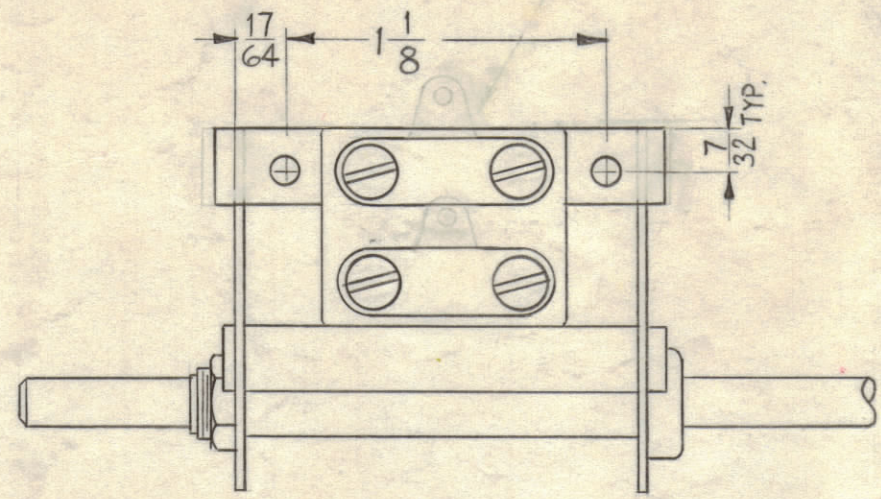


TMC PART NO.	SHAFT LENGTH	
	A	B
CB-159-1	1/2	1/4
CB-159-2	7/16	1/2
CB-159-3	2-7/8	7/16

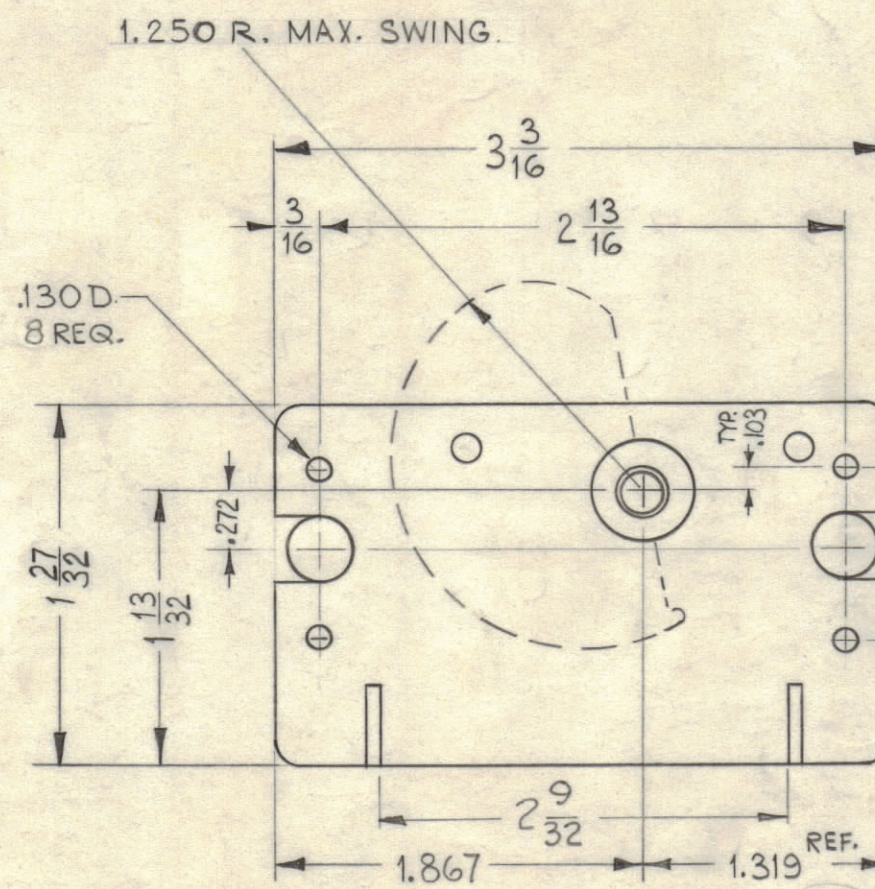
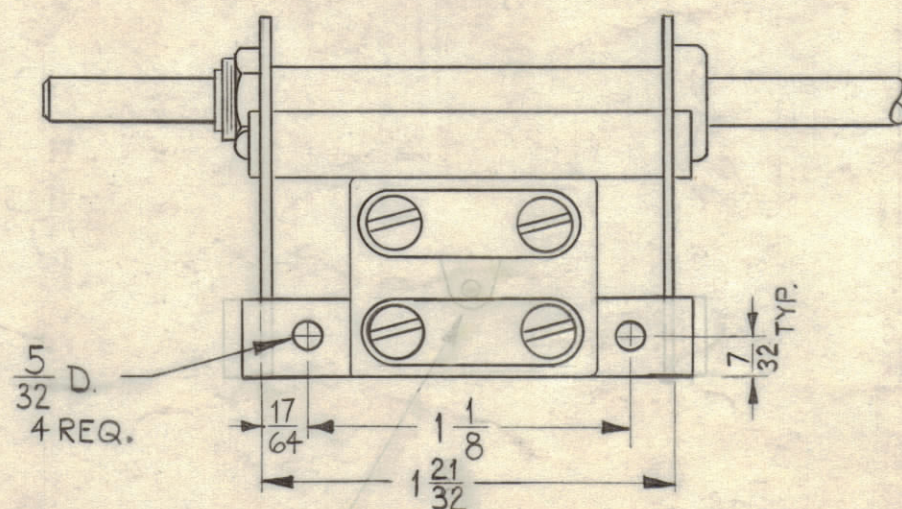
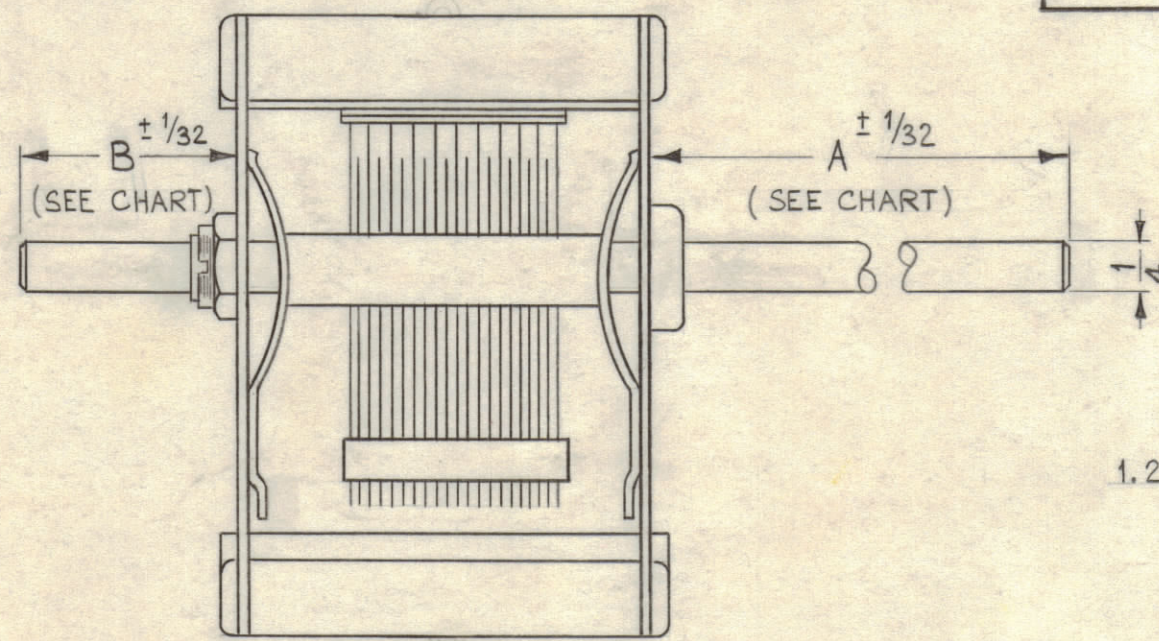
CB-159 D

% ROTATION	21 PLATES
0	0
10	4.7
20	14.3
25	19.8
30	26.1
40	41.7
50	63.9
60	95.4
70	136.1
75	158.5
80	181.4
90	226.7
100	270.0
MIN.	12.5



BOTTOM VIEW

NOTE - BUSS WIRE SUPPLIED BY T.M.C.



SERIES 17 - TYPE K
 1 SECTION
 COUNTER-CLOCKWISE ROTATION FOR MAX. CAP.
 CERAMIC STATOR INSULATION.
 SECTION
 STEEL ROTOR PLATES ~ 11
 STEEL STATOR PLATES ~ 10
 AIR GAP ~ .0235
 MAX. CAP. ~ APPROX. 282 PF
 CAP. TOL. ~ ± 1 PF + 1% AT 50% ROTATION OR ± 1.76 PF
 ROTOR SH ± 1 PF + 1% AT 100% ROTATION OR ± 3.82 PF
 ROTOR SHAFT ~ COLD ROLLED STEEL
 WIPERS ~ SPRING BRASS ~ POS. AS SHOWN, AND SOLDER TO END PLATES.
 FINISH ~ ALL PARTS ~ CADMIUM PLATE.

NOTE: SPACER SUPPORT RODS MUST NOT PROTRUDE BEYOND EDGE OF FRONT & REAR END PLATES.

NOTE: BUSS WIRE SUPPLIED BY T.M.C.

NOTICE TO PERSONS RECEIVING THIS DRAWING

THE TECHNICAL MATERIEL CORPORATION claims proprietary right in the material disclosed hereon. This drawing is issued in confidence for engineering information only and may not be reproduced or used to manufacture anything shown hereon without permission from THE TECHNICAL MATERIEL CORPORATION to the user. This drawing is loaned for mutual assistance and is subject to recall at any time.

Property of:
 THE TECHNICAL MATERIEL CORPORATION
 MAMARONECK, NEW YORK

STANDARD LOW END PLATES.

STANDARD SHORT LUGS SINGLE

D	DZ	SPECS. REVISED TO LIST TOLS. ON DNG.	1/16/64	10736	RM	RM	RM
C	CZ	SPACER SUPPORT NOTE ADDED	11-30-62	7734	RM	RM	RM
B	G3	BOTTOM VIEW & NOTE ADDED	7-24-61	5300	R.V.	RU	RM
A	5	Deleted "Standard Short Lugs" ON CHART - 3 was added.	7/10/61	5214	RM	RM	RM
	4	ON CHART - 2, 'A' was 4/8 & 'B' was 9/16					
	3	ON CHART - 1, 'A' was 2" & 'B' was 7/16					
	2	2 - 9/32 DIM added between supports					
	1						

SYM	ZONE	DESCRIPTION	DATE	CH. NO.	DRAFTS	CHECKER	ENG. APP.
UNLESS OTHERWISE SPECIFIED:			SCALE DO NOT SCALE				
DIMENSIONS ARE IN INCHES			MAXIMUM ALLOWABLE TOLERANCES HAVE BEEN DETERMINED AND ANY DEVIATIONS WILL BE CAUSE FOR REJECTION. REMOVE ALL BURRS & SHARP EDGES				
TOLERANCES ON FRACTIONS ± 1/64			DECIMALS ± .005			ANGLES ± 1/2°	

REQ. PER UNIT	MODEL	SECTION	ASSY. NO.	DATE
1	GPE-1			6-8-61

5401-51 (SERIES 17 TYPE K)

REQ. ITEM	PART NO.	DESCRIPTION	SYMBOL
STOCK SIZE		THE TECHNICAL MATERIEL CORP. MAMARONECK, NEW YORK	
MATERIAL		CAPACITOR, VARIABLE AIR	
TYPE & TEMPER		HEAT TREAT. SPEC.	
FINISH & SPEC. NO.		ELEC. DES. APP. MECH. DES. APP. SHEET OF	