

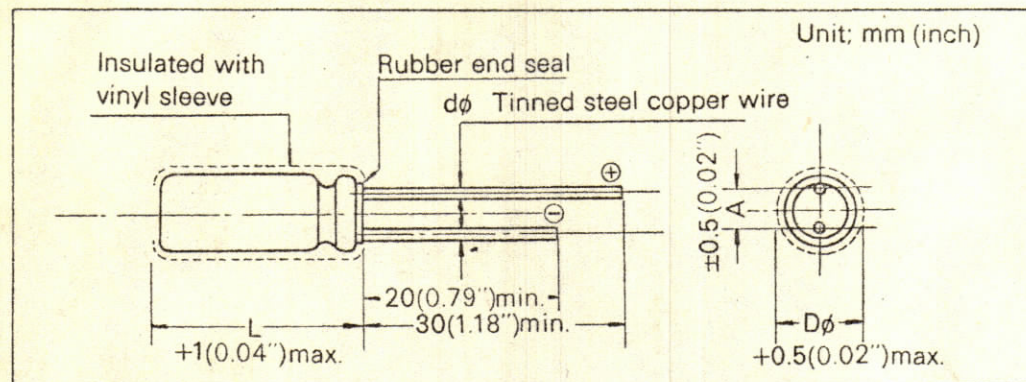
IF IT IS FOUND DESIRABLE TO CHANGE ANY TOLERANCE OR OTHER DETAIL SPECIFIED ON THIS DRAWING NOTIFY THE PURCHASER PROMPTLY.				DIMENSIONS IN INCHES UNLESS OTHERWISE SPECIFIED			
MAXIMUM ALLOWABLE TOLERANCES HAVE BEEN DETERMINED AND DEVIATIONS WILL BE CAUSE FOR REJECTION. REMOVE ALL BURRS AND SHARP EDGES.							
ISSUE	ITEM	CHANGED FROM	DATE	CN. NO.	DRAFTS	CHECKER	ENG. APP.
0		PROD. RELEASE	28 NOV 73		JUM		

REQ.	ITEM	PART NO.	DESCRIPTION	SYMBOL
------	------	----------	-------------	--------

SINGLE-ENDED LEAD TYPE

"L" SERIES

DIMENSIONS



STANDARD PRODUCTS

Part numbers in brackets [ ] are description of substitutes. For example, the substitute of a capacitor for 6.3V and 0.47μF is shown as ECE-B50VR47L, which is common to the part number of the capacitor for 50V, 0.47μF.

Ratings Voltage (V, DC)	Cap. (μF)	Part Number	Dimensions: mm (inch)				*Max. Ripple Current (mA)
			Dφ	L	A	dφ	
6.3	0.47	[ ECE-A50VR47L ]	[ 5 (0.197) ]	[ 12 (0.472) ]	[ 2.0 (0.079) ]	[ 0.5 (0.020) ]	[ 4 ]
	1	[ ECE-A50V1L ]	[ 5 (0.197) ]	[ 12 (0.472) ]	[ 2.0 (0.079) ]	[ 0.5 (0.020) ]	[ 8 ]
	2.2	[ ECE-A50V2R2L ]	[ 5 (0.197) ]	[ 12 (0.472) ]	[ 2.0 (0.079) ]	[ 0.5 (0.020) ]	[ 10 ]
	3.3	[ ECE-A25V3R3L ]	[ 5 (0.197) ]	[ 12 (0.472) ]	[ 2.0 (0.079) ]	[ 0.5 (0.020) ]	[ 15 ]
	4.7	[ ECE-A25V4R7L ]	[ 5 (0.197) ]	[ 12 (0.472) ]	[ 2.0 (0.079) ]	[ 0.5 (0.020) ]	[ 20 ]
	10	[ ECE-A16V10L ]	[ 5 (0.197) ]	[ 12 (0.472) ]	[ 2.0 (0.079) ]	[ 0.5 (0.020) ]	[ 25 ]
	22	[ ECE-A10V22L ]	[ 5 (0.197) ]	[ 12 (0.472) ]	[ 2.0 (0.079) ]	[ 0.5 (0.020) ]	[ 45 ]
	33	ECE-A6V33L	6.3 (0.248)	12 (0.472)	2.5 (0.098)	0.6 (0.024)	50
	47	ECE-A6V47L	6.3 (0.248)	12 (0.472)	2.5 (0.098)	0.6 (0.024)	60
	100	ECE-A6V100L	8 (0.315)	12 (0.472)	3.5 (0.138)	0.6 (0.024)	105
	220	ECE-A6V220L	10 (0.394)	12 (0.472)	5.0 (0.197)	0.6 (0.024)	185
	330	ECE-A6V330L	10 (0.394)	16 (0.630)	5.0 (0.197)	0.6 (0.024)	210
	470	ECE-A6V470L	10 (0.394)	21 (0.827)	5.0 (0.197)	0.6 (0.024)	300
	1000	ECE-A6V1000L	12.5 (0.492)	26 (1.024)	5.0 (0.197)	0.6 (0.024)	530
2200	ECE-A6V2200L	16 (0.630)	26 (1.024)	7.5 (0.295)	0.8 (0.032)	800	
10	0.47	[ ECE-A50VR47L ]	[ 5 (0.197) ]	[ 12 (0.472) ]	[ 2.0 (0.079) ]	[ 0.5 (0.020) ]	[ 4 ]
	1	[ ECE-A50V1L ]	[ 5 (0.197) ]	[ 12 (0.472) ]	[ 2.0 (0.079) ]	[ 0.5 (0.020) ]	[ 8 ]
	2.2	[ ECE-A50V2R2L ]	[ 5 (0.197) ]	[ 12 (0.472) ]	[ 2.0 (0.079) ]	[ 0.5 (0.020) ]	[ 10 ]
	3.3	[ ECE-A25V3R3L ]	[ 5 (0.197) ]	[ 12 (0.472) ]	[ 2.0 (0.079) ]	[ 0.5 (0.020) ]	[ 15 ]
	4.7	[ ECE-A25V4R7L ]	[ 5 (0.197) ]	[ 12 (0.472) ]	[ 2.0 (0.079) ]	[ 0.5 (0.020) ]	[ 20 ]
	10	[ ECE-A16V10L ]	[ 5 (0.197) ]	[ 12 (0.472) ]	[ 2.0 (0.079) ]	[ 0.5 (0.020) ]	[ 25 ]
	22	ECE-A10V22L	5 (0.197)	12 (0.472)	2.0 (0.079)	0.5 (0.020)	45
	33	ECE-A10V33L	6.3 (0.248)	12 (0.472)	2.5 (0.098)	0.6 (0.024)	55
	47	ECE-A10V47L	6.3 (0.248)	12 (0.472)	2.5 (0.098)	0.6 (0.024)	65
	100	ECE-A10V100L	8 (0.315)	12 (0.472)	3.5 (0.138)	0.6 (0.024)	120
	220	ECE-A10V220L	10 (0.394)	16 (0.630)	5.0 (0.197)	0.6 (0.024)	200
	330	ECE-A10V330L	10 (0.394)	21 (0.827)	5.0 (0.197)	0.6 (0.024)	250
	470	ECE-A10V470L	12.5 (0.492)	21 (0.827)	5.0 (0.197)	0.6 (0.024)	350
	1000	ECE-A10V1000L	12.5 (0.492)	26 (1.024)	5.0 (0.197)	0.6 (0.024)	550
2200	ECE-A10V2200L	16 (0.630)	33 (1.299)	7.5 (0.295)	0.8 (0.032)	850	
16	0.47	[ ECE-A50VR47L ]	[ 5 (0.197) ]	[ 12 (0.472) ]	[ 2.0 (0.079) ]	[ 0.5 (0.020) ]	[ 4 ]
	1	[ ECE-A50V1L ]	[ 5 (0.197) ]	[ 12 (0.472) ]	[ 2.0 (0.079) ]	[ 0.5 (0.020) ]	[ 8 ]
	2.2	[ ECE-A50V2R2L ]	[ 5 (0.197) ]	[ 12 (0.472) ]	[ 2.0 (0.079) ]	[ 0.5 (0.020) ]	[ 10 ]
	3.3	[ ECE-A25V3R3L ]	[ 5 (0.197) ]	[ 12 (0.472) ]	[ 2.0 (0.079) ]	[ 0.5 (0.020) ]	[ 15 ]
	4.7	[ ECE-A25V4R7L ]	[ 5 (0.197) ]	[ 12 (0.472) ]	[ 2.0 (0.079) ]	[ 0.5 (0.020) ]	[ 20 ]
	10	ECE-A16V10L	5 (0.197)	12 (0.472)	2.0 (0.079)	0.5 (0.020)	25
	22	ECE-A16V22L	6.3 (0.248)	12 (0.472)	2.5 (0.098)	0.6 (0.024)	54
	33	ECE-A16V33L	8 (0.315)	12 (0.472)	3.5 (0.138)	0.6 (0.024)	79
	47	ECE-A16V47L	8 (0.315)	12 (0.472)	3.5 (0.138)	0.6 (0.024)	108
	100	ECE-A16V100L	10 (0.394)	12 (0.472)	5.0 (0.197)	0.6 (0.024)	200
	220	ECE-A16V220L	10 (0.394)	21 (0.827)	5.0 (0.197)	0.6 (0.024)	320
	330	ECE-A16V330L	12.5 (0.492)	21 (0.827)	5.0 (0.197)	0.6 (0.024)	405
	470	ECE-A16V470L	12.5 (0.492)	26 (1.024)	5.0 (0.197)	0.6 (0.024)	480
	1000	ECE-A16V1000L	16 (0.630)	26 (1.024)	7.5 (0.295)	0.8 (0.032)	700
2200	ECE-A16V2200L	18 (0.709)	41 (1.614)	7.5 (0.295)	0.8 (0.032)	1000	

Ratings Voltage (V, DC)	Cap. (μF)	Part Number	Dimensions: mm (inch)				*Max. Ripple Current (mA)	
			Dφ	L	A	dφ		
25	0.47	[ ECE-A50VR47L ]	[ 5 (0.197) ]	[ 12 (0.472) ]	[ 2.0 (0.079) ]	[ 0.5 (0.020) ]	[ 4 ]	
	1	[ ECE-A50V1L ]	[ 5 (0.197) ]	[ 12 (0.472) ]	[ 2.0 (0.079) ]	[ 0.5 (0.020) ]	[ 8 ]	
	2.2	[ ECE-A50V2R2L ]	[ 5 (0.197) ]	[ 12 (0.472) ]	[ 2.0 (0.079) ]	[ 0.5 (0.020) ]	[ 10 ]	
	3.3	ECE-A25V3R3L	5 (0.197)	12 (0.472)	2.0 (0.079)	0.5 (0.020)	15	
	4.7	ECE-A25V4R7L	5 (0.197)	12 (0.472)	2.0 (0.079)	0.5 (0.020)	20	
	10	ECE-A25V10L	6.3 (0.248)	12 (0.472)	2.5 (0.098)	0.6 (0.024)	25	
	22	ECE-A25V22L	8 (0.315)	12 (0.472)	3.5 (0.138)	0.6 (0.024)	54	
	33	ECE-A25V33L	8 (0.315)	12 (0.472)	3.5 (0.138)	0.6 (0.024)	79	
	47	ECE-A25V47L	10 (0.394)	12 (0.472)	5.0 (0.197)	0.6 (0.024)	108	
	100	ECE-A25V100L	10 (0.394)	16 (0.630)	5.0 (0.197)	0.6 (0.024)	200	
	220	ECE-A25V220L	12.5 (0.492)	21 (0.827)	5.0 (0.197)	0.6 (0.024)	320	
	330	ECE-A25V330L	12.5 (0.492)	26 (1.024)	5.0 (0.197)	0.6 (0.024)	430	
	470	ECE-A25V470L	16 (0.630)	26 (1.024)	7.5 (0.295)	0.8 (0.032)	570	
	1000	ECE-A25V1000L	18 (0.709)	33 (1.299)	7.5 (0.295)	0.8 (0.032)	850	
35	0.47	[ ECE-A50VR47L ]	[ 5 (0.197) ]	[ 12 (0.472) ]	[ 2.0 (0.079) ]	[ 0.5 (0.020) ]	[ 4 ]	
	1	[ ECE-A50V1L ]	[ 5 (0.197) ]	[ 12 (0.472) ]	[ 2.0 (0.079) ]	[ 0.5 (0.020) ]	[ 8 ]	
	2.2	[ ECE-A50V2R2L ]	[ 5 (0.197) ]	[ 12 (0.472) ]	[ 2.0 (0.079) ]	[ 0.5 (0.020) ]	[ 10 ]	
	3.3	ECE-A35V3R3L	5 (0.197)	12 (0.472)	2.0 (0.079)	0.5 (0.020)	15	
	4.7	ECE-A35V4R7L	5 (0.197)	12 (0.472)	2.0 (0.079)	0.5 (0.020)	20	
	10	ECE-A35V10L	6.3 (0.248)	12 (0.472)	2.5 (0.098)	0.6 (0.024)	25	
	22	ECE-A35V22L	10 (0.394)	12 (0.472)	5.0 (0.197)	0.6 (0.024)	54	
	33	ECE-A35V33L	10 (0.394)	12 (0.472)	5.0 (0.197)	0.6 (0.024)	79	
	47	ECE-A35V47L	10 (0.394)	16 (0.630)	5.0 (0.197)	0.6 (0.024)	108	
	100	ECE-A35V100L	10 (0.394)	21 (0.827)	5.0 (0.197)	0.6 (0.024)	200	
	220	ECE-A35V220L	12.5 (0.492)	26 (1.024)	5.0 (0.197)	0.6 (0.024)	320	
	330	ECE-A35V330L	16 (0.630)	26 (1.024)	7.5 (0.295)	0.8 (0.032)	430	
	470	ECE-A35V470L	16 (0.630)	33 (1.299)	7.5 (0.295)	0.8 (0.032)	570	
	1000	ECE-A35V1000L	18 (0.709)	41 (1.614)	7.5 (0.295)	0.8 (0.032)	1000	
50	0.47	ECE-A50VR47L	5 (0.197)	12 (0.472)	2.0 (0.079)	0.5 (0.020)	4	
	1	ECE-A50V1L	5 (0.197)	12 (0.472)	2.0 (0.079)	0.5 (0.020)	8	
	2.2	ECE-A50V2R2L	5 (0.197)	12 (0.472)	2.0 (0.079)	0.5 (0.020)	10	
	3.3	ECE-A50V3R3L	6.3 (0.248)	12 (0.472)	2.5 (0.098)	0.6 (0.024)	15	
	4.7	ECE-A50V4R7L	6.3 (0.248)	12 (0.472)	2.5 (0.098)	0.6 (0.024)	20	
	10	ECE-A50V10L	8 (0.315)	12 (0.472)	3.5 (0.138)	0.6 (0.024)	25	
	22	ECE-A50V22L	10 (0.394)	16 (0.630)	5.0 (0.197)	0.6 (0.024)	54	
	33	ECE-A50V33L	10 (0.394)	16 (0.630)	5.0 (0.197)	0.6 (0.024)	79	
	47	ECE-A50V47L	10 (0.394)	21 (0.827)	5.0 (0.197)	0.6 (0.024)	108	
	100	ECE-A50V100L	12.5 (0.492)	26 (1.024)	5.0 (0.197)	0.6 (0.024)	200	
	220	ECE-A50V220L	16 (0.630)	33 (1.299)	7.5 (0.295)	0.8 (0.032)	320	
	330	ECE-A50V330L	18 (0.709)	33 (1.299)	7.5 (0.295)	0.8 (0.032)	430	
	63	0.47	ECE-A63VR47L	5 (0.197)	12 (0.472)	2.0 (0.079)	0.5 (0.020)	4
		1	ECE-A63V1L	5 (0.197)	12 (0.472)	2.0 (0.079)	0.5 (0.020)	8
2.2		ECE-A63V2R2L	6.3 (0.248)	12 (0.472)	2.5 (0.098)	0.6 (0.024)	10	
3.3		ECE-A63V3R3L	6.3 (0.248)	12 (0.472)	2.5 (0.098)	0.6 (0.024)	15	
4.7		ECE-A63V4R7L	8 (0.315)	12 (0.472)	3.5 (0.138)	0.6 (0.024)	20	
10		ECE-A63V10L	10 (0.394)	12 (0.472)	5.0 (0.197)	0.6 (0.024)	25	
22		ECE-A63V22L	10 (0.394)	16 (0.630)	5.0 (0.197)	0.6 (0.024)	54	
33		ECE-A63V33L	10 (0.394)	21 (0.827)	5.0 (0.197)	0.6 (0.024)	79	
47		ECE-A63V47L	12.5 (0.492)	21 (0.827)	5.0 (0.197)	0.6 (0.024)	108	
100		ECE-A63V100L	16 (0.630)	26 (1.024)	7.5 (0.295)	0.8 (0.032)	200	
220		ECE-A63V220L	18 (0.709)	33 (1.299)	7.5 (0.295)	0.8 (0.032)	320	
100		0.47	ECE-A100VR47L	5 (0.197)	12 (0.472)	2.0 (0.079)	0.5 (0.020)	6
		1	ECE-A100V1L	6.3 (0.248)	12 (0.472)	2.5 (0.098)	0.6 (0.024)	12
		2.2	ECE-A100V2R2L	8 (0.315)	12 (0.472)	3.5 (0.138)	0.6 (0.024)	16
	3.3	ECE-A100V3R3L	10 (0.394)	12 (0.472)	5.0 (0.197)	0.6 (0.024)	24	
	4.7	ECE-A100V4R7L	10 (0.394)	12 (0.472)	5.0 (0.197)	0.6 (0.024)	32	
	10	ECE-A100V10L	10 (0.394)	16 (0.630)	5.0 (0.197)	0.6 (0.024)	40	
	22	ECE-A100V22L	12.5 (0.492)	21 (0.827)	5.0 (0.197)	0.6 (0.024)	88	
	33	ECE-A100V33L	16 (0.630)	26 (1.024)	7.5 (0.295)	0.8 (0.032)	132	
	47	ECE-A100V47L	16 (0.630)	26 (1.024)	7.5 (0.295)	0.8 (0.032)	185	
	100	ECE-A100V100L	18 (0.709)	33 (1.299)	7.5 (0.295)	0.8 (0.032)	200	

(Note) "Max. Ripple Current" (marked\*) denotes the maximum permissible rms ripple current at 120Hz within the operating temperature range of +40°C to +85°C with the rated d-c voltage applied.

CE10023-Ø

NOTES: ~  
1. STOCK NO.'S SHALL BE ASSIGNED TO THESE CAPACITORS SHOULD THEY HAVE NO STOCK NO.'S YET.

2. MANUFACTURER: MATSUSHITA ELECTRIC WITH ELECTRONIC COMPONENTS 189 DUFFERIN ST. TORONTO 150 AS SUPPLIER

NAMES OF OTHER MFR'S: ~  
ARMACO, DAVECO, CENTRALAB, SIEMENS & RUBYCON

TMC PART NO: CE10023-XX-XX  
CAPACITANCE VALUE  
VOLTAGE RATING

STOCK SIZE		TMC (Canada) LIMITED OTTAWA ONTARIO	
MATERIAL		MINIATURE ALUMINUM ELEC. CAPACITOR	
TYPE & TEMPER		JUM	