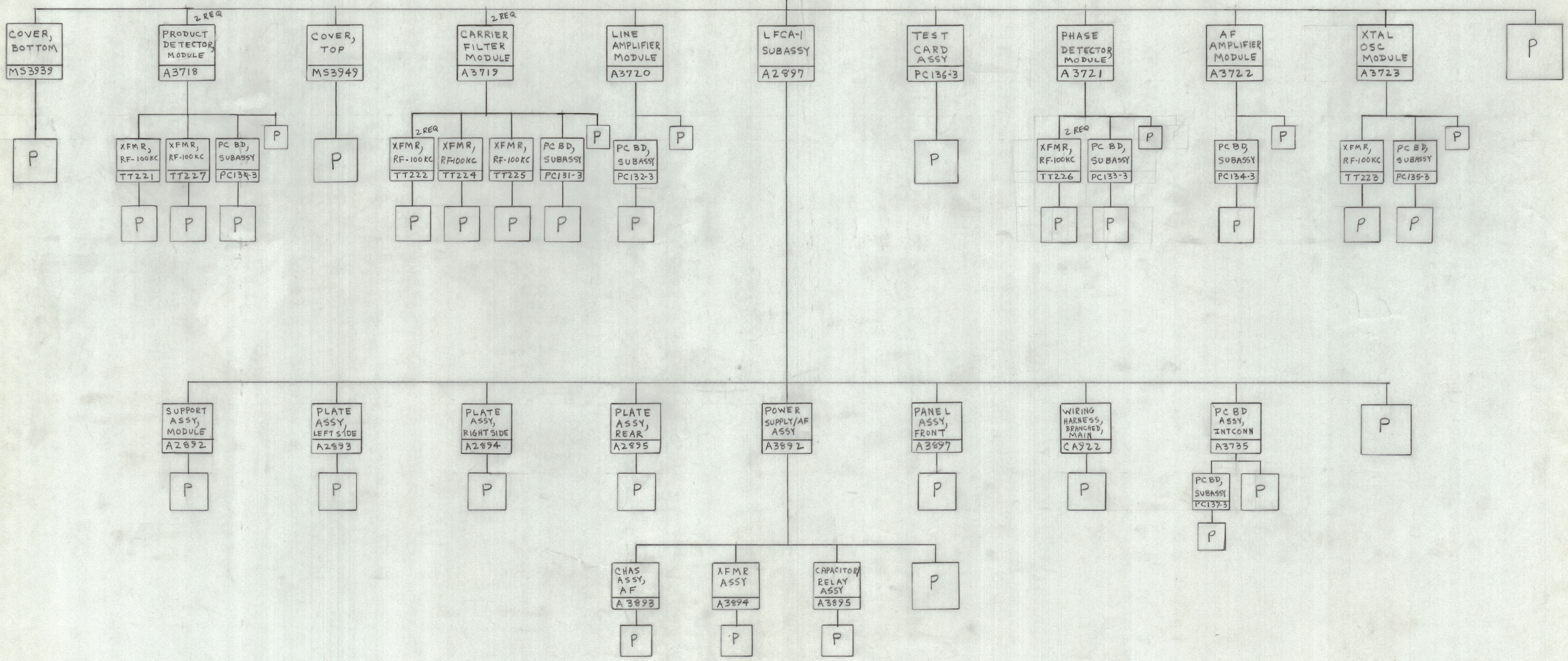


REVISIONS							
ZONE	SYM	DESCRIPTION	DATE	E.M.N. NO.	DRAFT	CHRD	APPD
	Ø	ORIGINAL RELEASE FOR PRODUCTION	9/23/69				

REFERENCE DRAWINGS
SPECIFICATIONS
LOOSE ITEMS

SIDEBAND CONVERTER
LFCA-1
LFCA-1 FINAL ASSY
A2896



CH388

1 LFCA-1

SCALE: $\frac{1}{16}$ INCHES

DATE: 9/23/69

THE CONTENTS OF THIS DRAWING ARE THE EXCLUSIVE PROPERTY OF THE TECHNICAL MATERIEL CORP. ITS UNAUTHORIZED USE OR REPRODUCTION IN WHOLE OR IN PART IS STRICTLY FORBIDDEN.

REQ'D.	ITEM	PART NUMBER	DESCRIPTION	SYMBOL
	M. GELLMAN		LIST OF MATERIAL	
			THE TECHNICAL MATERIEL CORP. MAMARONECK, NEW YORK	
			TITLE CHART, UNIT BREAKDOWN	
			UNLESS OTHERWISE SPECIFIED DIMENSIONS ARE IN INCHES AND INCLUDE CHEMICALLY APPLIED OR PLATED FINISHES	
			DECIMALS: X ± .05, XX ± .01, XXX ± .005	
			FRACTIONS: ± 1/64 INCHES, ± 6° 30'	
			DRAWN: J. SABATINO, CHECKED: [Signature], PRELIM: [Signature]	
			ELECT. DES. DATE: [Signature]	
			MECH. DES. DATE: [Signature]	
			DATE: 9/23/69	
			REV. LTR. CH388	

NOTES