

ISSUE	ITEM	CHANGED FROM	DATE	CH. NO.	DRAFTS	CHECKER	ENS. APP.	REQ.	ITEM	PART NO.	DESCRIPTION	SYMBOL
Ø		PROD. RELEASE	26 AUG 70		SB							
AMC-B		074/70	26 AUG 70	USED ON		DATE		DATE		TMC (Canada) LIMITED OTTAWA ONTARIO		
MODEL		PROJECT NO.	ASBY. NO.	IF IT IS FOUND DESIRABLE TO CHANGE ANY TOLERANCE OR OTHER DETAIL SPECIFIED ON THIS DRAWING NOTIFY THE PURCHASER PROMPTLY.		SCALE		DIMENSIONS IN INCHES UNLESS OTHERWISE SPECIFIED		CORE TOROIDAL		
MAXIMUM ALLOWABLE TOLERANCES HAVE BEEN DETERMINED AND DEVIATIONS WILL BE CAUSE FOR REJECTION. REMOVE ALL BURRS AND SHARP EDGES		TOLERANCES		DEC. DIM. ± 0.015		FRACTIONAL DIM. ± 1/64		ANGULAR DIM. ± 0° 30'		DRAWN		
ALL OTHERS		DEC. DIM. ± 0.015		FRACTIONAL DIM. ± 1/64		ANGULAR DIM. ± 0° 30'		TOLERANCES ARE NOT INCLUDED.		SIMPSON		MECH. DES. APP.
										CHECKED		FINAL APPROVAL
										CI 100101-RCA		Ø

IF IT IS FOUND DESIRABLE TO CHANGE ANY TOLERANCE OR OTHER DETAIL SPECIFIED ON THIS DRAWING NOTIFY THE PURCHASER PROMPTLY.

DIMENSIONS IN INCHES UNLESS OTHERWISE SPECIFIED

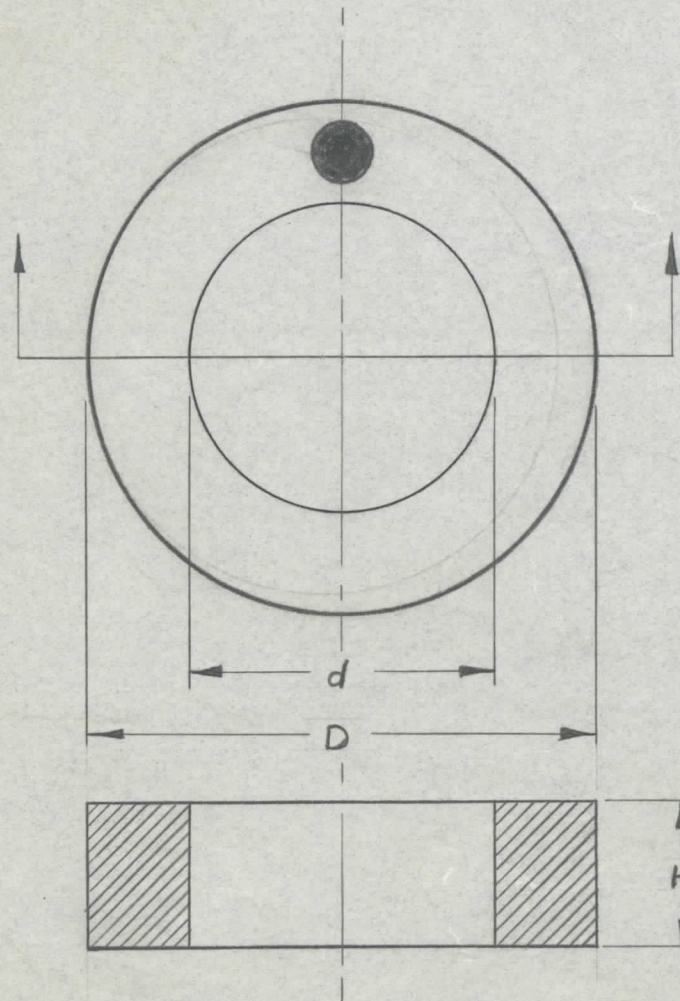
MAXIMUM ALLOWABLE TOLERANCES HAVE BEEN DETERMINED AND DEVIATIONS WILL BE CAUSE FOR REJECTION. REMOVE ALL BURRS AND SHARP EDGES.

ISSUE	ITEM	CHANGED FROM	DATE	CN. NO.	DRAFTS	CHECKER	ENG. APP.
-------	------	--------------	------	---------	--------	---------	-----------

REQ.	ITEM	PART NO.	DESCRIPTION	SYMBOL
------	------	----------	-------------	--------

CI10010

T.M.C. PART NO.	M.FGR. PART NO.	NOMINAL DIMENSIONS (MM)			NOMINAL DIMENSIONS (INCH)			EFFECTIVE MAGNETIC PATH LENGTH L_e (CM)	EFFECTIVE FLUX AREA A_e (CM ²)	μ FACTOR	MATERIAL
		D	d	H	D	d	H				
CI10010-1	846T250	22.1	13.7	6.35	.870	.539	.250	5.52	0.270	5000	3E2



NOTE:
ON RECEIPT, INCOMING INSPECTION WILL COLOUR CODE THIS CORE WITH A RED DOT AS INDICATED ON DWG.

REF. MANUFACTURER 510045-31

STOCK SIZE		TMC (Canada) LIMITED OTTAWA ONTARIO	
MATERIAL			
TYPE & TEMPER		RL	
HEAT TREAT. SPEC.		DRAWN	ELEC. DES. APP. MECH. DES. APP.
FINISH & SPEC. NO.		CHECKED	FINAL APPROVAL

TOLERANCES		SCALE: NTS
ALL OTHERS	DEC. DIM. \pm FRAC. DIM. \pm ANGULAR DIM. \pm	DRILL, PUNCH, COMMERCIAL STOCK SIZES AND MANUFACTURERS TOLERANCES ARE NOT INCLUDED.

MODEL	PROJECT NO.	ASS'Y. NO.	DATE
			DEC. 31/65

CI10010