

THE CONTENTS OF THIS DRAWING ARE THE EXCLUSIVE PROPERTY OF THE TECHNICAL MATERIEL CORP. ITS UNAUTHORIZED USE FOR REPRODUCTION IN WHOLE OR IN PART IS STRICTLY FORBIDDEN.

REQ. PER UNIT
1

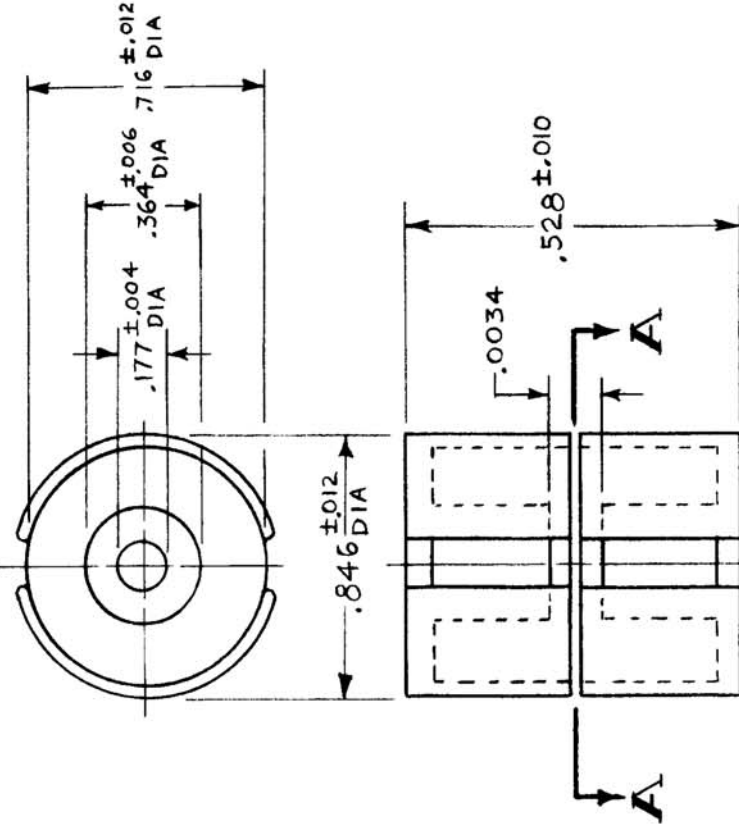
USED ON
ASSY. NO.
A-3175

DATE
5-31-63

MODEL
VLR-1

CI 132
O

VIEW A-A



~ SPECIFICATIONS ~

1. INDUCTANCE - 600/1000 TURNS
2. PERMITTIVITY - 150,000 @ 1KC/S
3. TEMP. FACTOR ($\frac{\Delta \mu}{\mu_0 \Delta T}$) 20-70°C - 1.6×10^{-6} .
4. CURIE TEMP. (T_c) - 170°C MIN.
5. INITIAL PERMEABILITY (μ_0) - $2300 \pm 20\%$
6. FREQ. RANGE - TO 600 KC
7. SPEC DENSITY - 4.7 TO 4.9

NOTE:
CORES MUST BE STOCKED & USED AS A MATCHED SET.

REQ. ITEM	PART NO.	GELLMAN DESCRIPTION	SYMBOL
		THE TECHNICAL MATERIEL CORP. MAMARONECK. NEW YORK	
		CORE, CUP	
		MATERIAL	
		STOCK SIZE	
		HEAT TREAT. SPEC.	
		TYPE & TEMPER	
		DRAWN	
		CHECKED	
		FINAL APPROVAL	
		ELEC. DES. APP. MECH. DES. APP.	
		FINISH & SPEC. NO.	
		CI 132	O

ORIGINAL RELEASE FOR PRODUCTION 5/11/64
 TYPE (2213 ADDED TO 5401-118)
 DATE 12/14/63
 CHECKER ENG. APP. [Signature]
 CH. NO. NONE
 SCALE NONE
 CODE C
 S401-118(2213)
 TOLERANCES ± 1/64 ANGLES ± 0° 30'
 UNLESS OTHERWISE SPECIFIED DIMENSIONS ARE IN INCHES AND INCLUDE CHEMICALLY APPLIED OR PLATED FINISHES