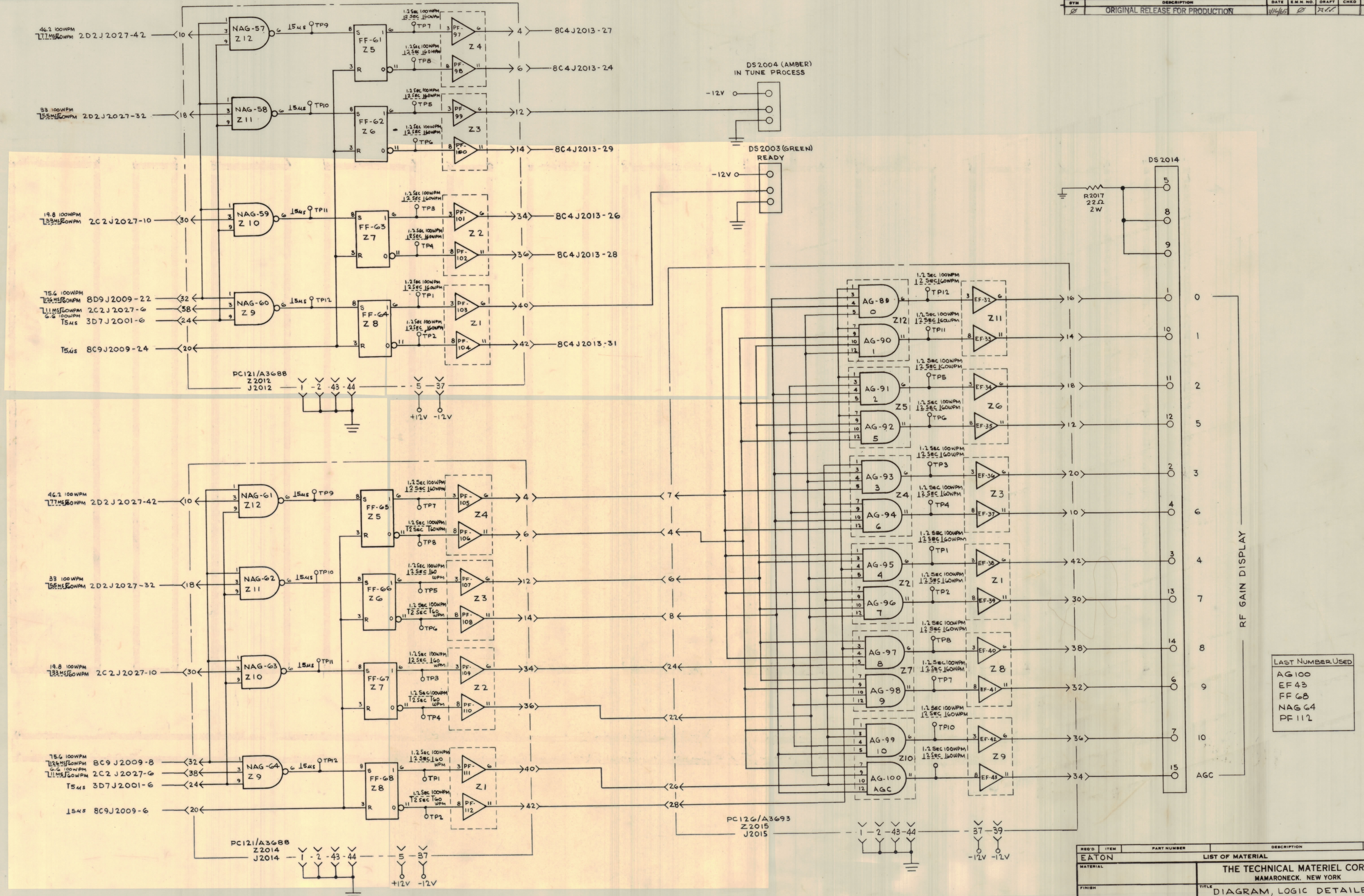


REVISIONS					
BY	DESCRIPTION	DATE	E.M.N. NO.	DRAFT	CHKD
1	ORIGINAL RELEASE FOR PRODUCTION	11/16/65			



LAST NUMBER USED	
AG	100
EF	43
FF	68
NAG	64
PF	112

REQ'D	ITEM	PART NUMBER	DESCRIPTION	SYMBOL
EATON LIST OF MATERIAL				
MATERIAL THE TECHNICAL MATERIEL CORP. MAMARONECK, NEW YORK				
FINISH TITLE DIAGRAM, LOGIC DETAILED (RTIG-1)				
UNLESS OTHERWISE SPECIFIED DIMENSIONS ARE IN INCHES AND INCLUDE CHEMICALLY APPLIED OR PLATED FINISHES				
DRAWN	JL	DATE	7/7/65	
CHECKED	JCB	DATE	7/16/65	
DESIGN		DATE		
MECH. DES.		DATE		
CK1009				REV 1