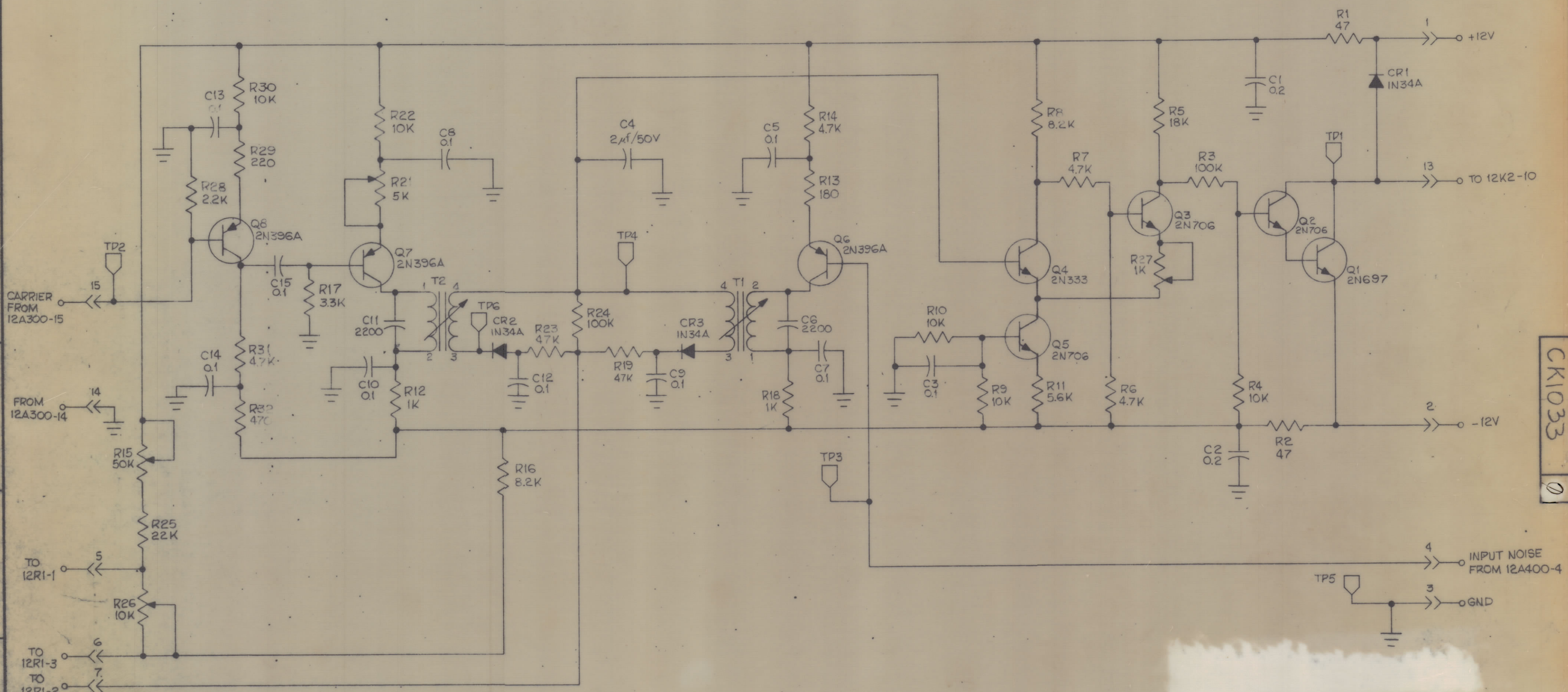


REVISIONS					
ZONE	SYM	DESCRIPTION	DATE	E.M.N. NO.	APPD
X1		REDRAWN	1-7-64		AG
Ø		ORIGINAL RELEASE FOR PRODUCTION	4-5-66	Ø	GDL



NOTE:
 UNLESS OTHERWISE SPECIFIED-
 1. All Whole Number Capacitor Values Are in pf.
 2. All Decimal Number Capacitor Values Are in μ f.
 3. All Resistor Values Are in Ohms.

CK1033

REQ'D.	ITEM	PART NUMBER	DESCRIPTION	SYMBOL
LIST OF MATERIAL 5015-104				
MATERIAL			THE TECHNICAL MATERIEL CORP. MAMARONECK, NEW YORK	
FINISH			TITLE	
			DIAGRAM, SCHEMATIC COMP 100-1 12A200	
DRAWN		DATE	FINAL APPROVAL	
A. G. GROVE		1-7-65	[Signature]	
CHECKED		DATE	DATE	
E. D. J. WOOD		1/65	1/65	
ELECT. DES.		DATE	DATE	
R. J. [Signature]			CK1033	
MECH. DES.		DATE	DATE	
[Signature]			[Signature]	
SHEET		REV. LTR.		

CDN-2		ASS'Y. NO.
QTY/UNIT	MODEL USED ON	
SCALE	CODE	
THE CONTENTS OF THIS DRAWING ARE THE EXCLUSIVE PROPERTY OF THE TECHNICAL MATERIEL CORP. ITS UNAUTHORIZED USE OR REPRODUCTION IN WHOLE OR IN PART IS STRICTLY FORBIDDEN.		

NOTES