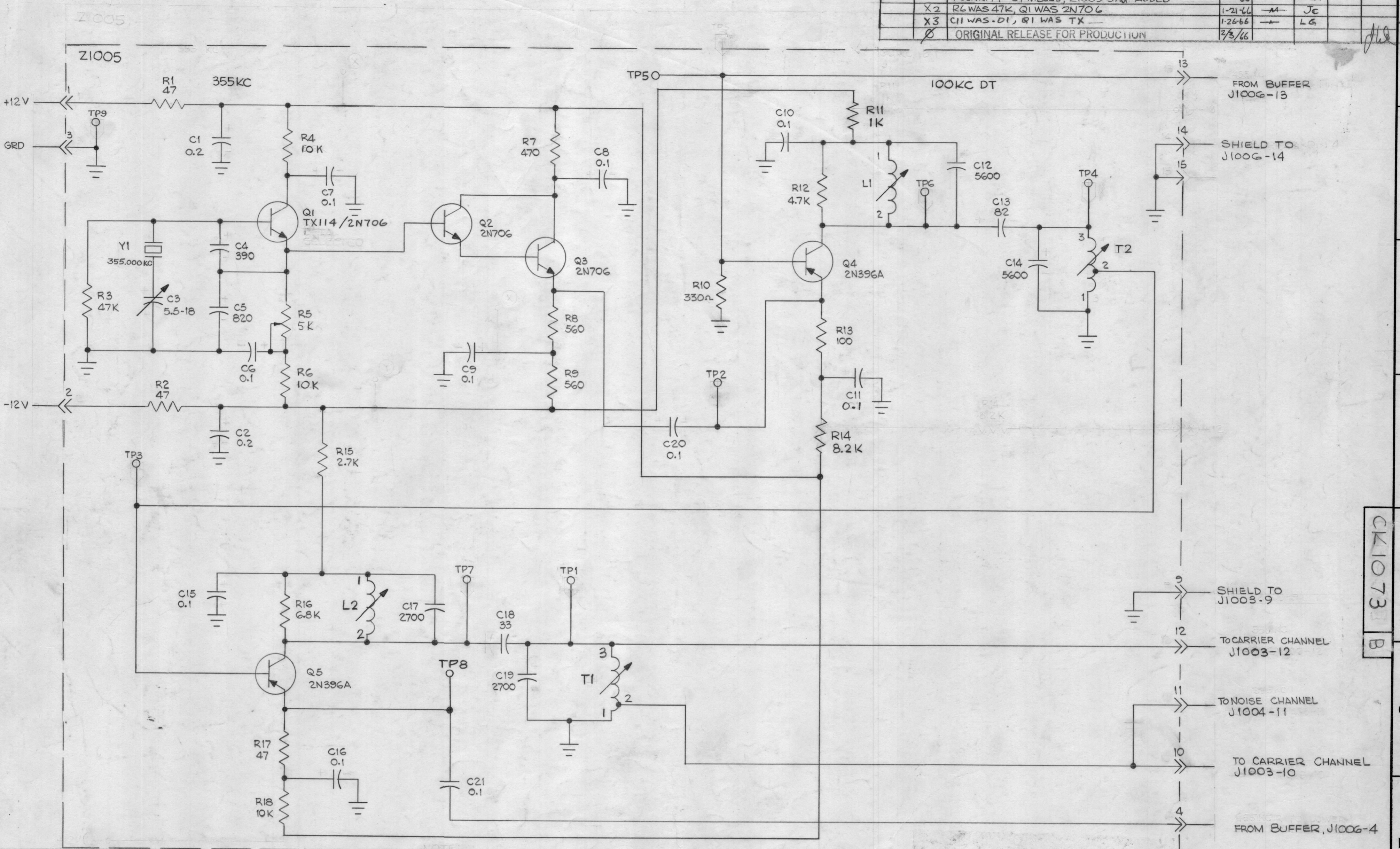


| | | | | | |
|---|----------------------------|---------|-------|-----|--------------------|
| A | R5 WAS 2.7K FIXED RESISTOR | 2.11.66 | 16511 | WHD | <i>[Signature]</i> |
| B | CHG'D R4 FROM 5.6K TO 10K | 3.3.66 | 16699 | RME | <i>[Signature]</i> |

| REVISIONS | | | | | |
|-----------|-----|--|---------|------------|--------------------|
| ZONE | SYM | DESCRIPTION | DATE | E.M.N. NO. | APPD |
| X1 | | CONN. SYMBOLS WERE "800" SERIES; DELETED POLARITY SYMBOLS, Z1005 SYM ADDED | 1-12-66 | | HLA |
| X2 | | R4 WAS 47K, Q1 WAS 2N706 | 1-21-66 | -M- | JC |
| X3 | | C11 WAS .01, R1 WAS TX | 1-26-66 | - | LG |
| Ø | | ORIGINAL RELEASE FOR PRODUCTION | 2/3/66 | | <i>[Signature]</i> |



NOTE : UNLESS OTHERWISE SPECIFIED -

1. All Whole Number Capacitor Values Are in pf.
2. All Decimal Number Capacitor Values Are in uf.
3. All Resistor Values Are in Ohms, 1/2 W.
4. Circuit Symbols - "500" Series

| LAST SYMBOLS |
|--------------|
| C21 |
| L2 |
| Q5 |
| R18 |
| T2 |
| TP9 |
| Y1 |

NOTES

| | | |
|-----------|---------------|-------------|
| QTY./UNIT | MODEL USED ON | ASS'Y. NO. |
| | | CDN-3 A4352 |
| SCALE | CODE | |

THE CONTENTS OF THIS DRAWING ARE THE EXCLUSIVE PROPERTY OF THE TECHNICAL MATERIEL CORP. ITS UNAUTHORIZED USE OR REPRODUCTION IN WHOLE OR IN PART IS STRICTLY FORBIDDEN.

| REQ'D. | ITEM | PART NUMBER | DESCRIPTION | SYMBOL |
|--|-------------------------------|------------------|--------------------------------------|-----------------|
| | POSE | | LIST OF MATERIAL | 5015-107(PC242) |
| MATERIAL | | | | |
| FINISH | | | | |
| THE TECHNICAL MATERIEL CORP. MAMARONECK, NEW YORK TITLE DIAGRAM, SCHEMATIC MIXER - AMPLIFIER | | | | |
| UNLESS OTHERWISE SPECIFIED DIMENSIONS ARE IN INCHES AND INCLUDE CHEMICALLY APPLIED OR PLATED FINISHES | DRAWN H. AUSTIN | DATE 11-30-65 | FINAL APPROVAL <i>[Signature]</i> | |
| DECIMALS .X ± .05 .XX ± .01 .XXX ± .005 | CHECKED <i>[Signature]</i> | DATE 1-10-66 | DATE 2-19-66 | |
| FRACTIONS ± 1/64 ANGLES ± 0° 30' | ELECT. DES. MAGB | DATE 2-3-66 | DATE 2-3-66 | |
| TOLERANCES | MECH. DES. | DATE | SHEET | |
| | | | CK1073 B | |
| | | | REV. LTR. | |

CK1073 B