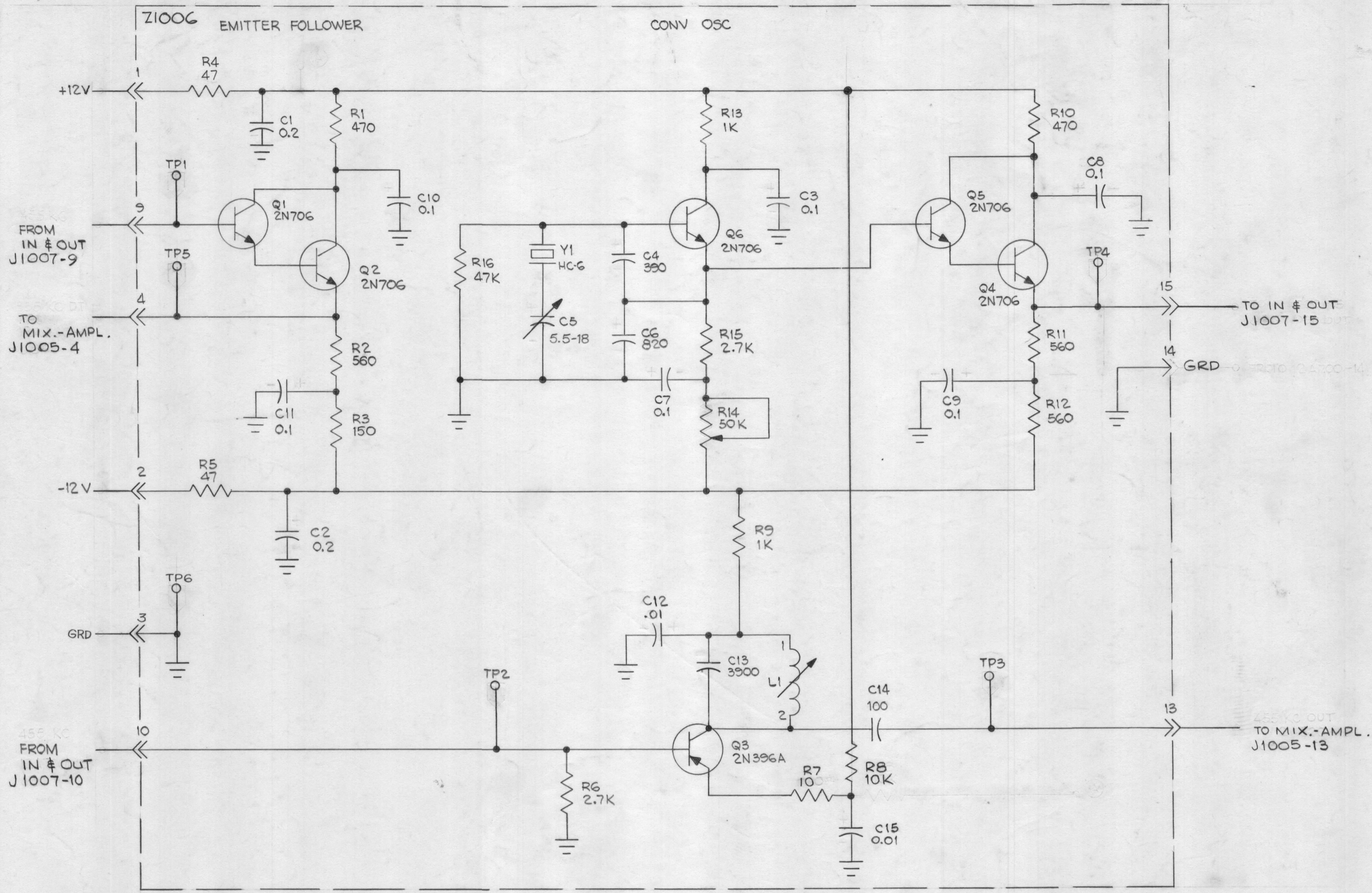


REVISIONS						
ZONE	SYM	DESCRIPTION	DATE	E.M.N. NO.	DRAFT	CHKD
X	1	CONN. SYMBOLS WERE "800" SERIES - DELETED POLARITY SYMBOLS, Z1006 SYM. ADDED	1-12-66			HLA
Ø		ORIGINAL RELEASE FOR PRODUCTION	3-3-66			
A		VALUE C12 WAS 0.1	4-5-66	16056	G.D.L.	



LAST SYMBOLS
C15
L1
Q6
R16
TP6
Y1

NOTE:
 UNLESS OTHERWISE SPECIFIED -
 1. All Whole Number Capacitor Values Are in pf.
 2. All Decimal Number Capacitor Values Are in uf.
 3. All Resistor Values Are in Ohms, 1/2 W.
 4. Circuit Symbols - "600" Series

CK1074 A

QTY./UNIT		CDN-3	A4349
MODEL USED ON			
ASS'Y. NO.			
SCALE			
CODE			

REQ'D.	ITEM	PART NUMBER	DESCRIPTION	SYMBOL
POSE LIST OF MATERIAL 5015-108(PC239)				
MATERIAL		THE TECHNICAL MATERIEL CORP. MAMARONECK, NEW YORK		
FINISH		TITLE DIAGRAM, SCHEMATIC BUFFER		
UNLESS OTHERWISE SPECIFIED DIMENSIONS ARE IN INCHES AND INCLUDE CHEMICALLY APPLIED OR PLATED FINISHES		DRAWN H. AUSTIN	DATE 12-1-65	FINAL APPROVAL <i>[Signature]</i>
DECIMALS .X ± .05 .XX ± .01 .XXX ± .005		CHECKED <i>[Signature]</i>	DATE 1-18-66	DATE 2-4-66
FRACTIONS ± 1/64 ANGLES ± 0° 30'		ELECT. DES. <i>[Signature]</i>	DATE 2-3-66	DATE
TOLERANCES		MECH. DES. <i>[Signature]</i>	DATE	DATE
		CK1074		A
		SHEET		REV. LTR.
		2 M/L REC		1

NOTES