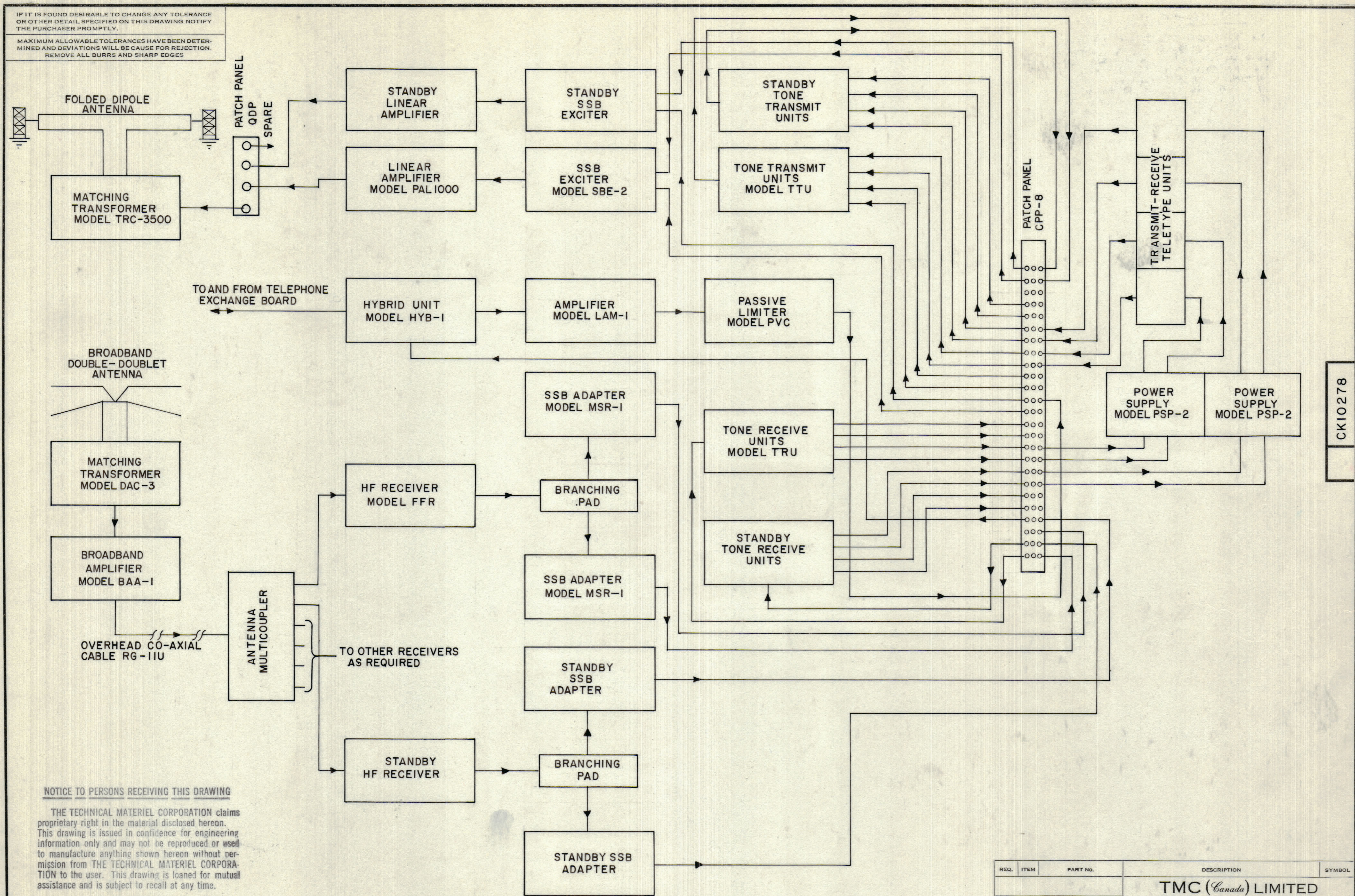


IF IT IS FOUND DESIRABLE TO CHANGE ANY TOLERANCE OR OTHER DETAIL SPECIFIED ON THIS DRAWING NOTIFY THE PURCHASER PROMPTLY.
 MAXIMUM ALLOWABLE TOLERANCES HAVE BEEN DETERMINED AND DEVIATIONS WILL BE CAUSE FOR REJECTION. REMOVE ALL BURRS AND SHARP EDGES



CK10278

NOTICE TO PERSONS RECEIVING THIS DRAWING

THE TECHNICAL MATERIEL CORPORATION claims proprietary right in the material disclosed herein. This drawing is issued in confidence for engineering information only and may not be reproduced or used to manufacture anything shown herein without permission from THE TECHNICAL MATERIEL CORPORATION to the user. This drawing is loaned for mutual assistance and is subject to recall at any time.

Property of:
 THE TECHNICAL MATERIEL CORPORATION
 MAMARONECK, NEW YORK

ISSUE	ITEM	CHANGED FROM	DATE	CN. NO.	DRAFTS	CHECKER	ENG. APP.
TOLERANCES		SCALE:					
ALL OTHERS	DEC. DIM. ±	DRILL, PUNCH, COMMERCIAL STOCK					
	FRAC. DIM. ±	SIZES AND MANUFACTURERS					
	ANGULAR DIM. ±	TOLERANCES ARE NOT INCLUDED.					

MODEL	PROJECT No.	ASS'Y. No.	DATE
			JAN 22/58
USED ON			

REQ.	ITEM	PART No.	DESCRIPTION	SYMBOL
STOCK SIZE			TMC (Canada) LIMITED OTTAWA ONTARIO BLOCK DIAGRAM - TWILLINGATE STATION	
MATERIAL WEIGHT PER PC.				
TYPE & TEMPER			DRAWN: <i>DCM</i> CHECKED: <i>[Signature]</i>	ELEC. DES. APP. <i>[Signature]</i> MECH. DES. APP.
HEAT TREAT. SPEC.			FINAL APPROVAL	
FINISH & SPEC. No.			CK10278	