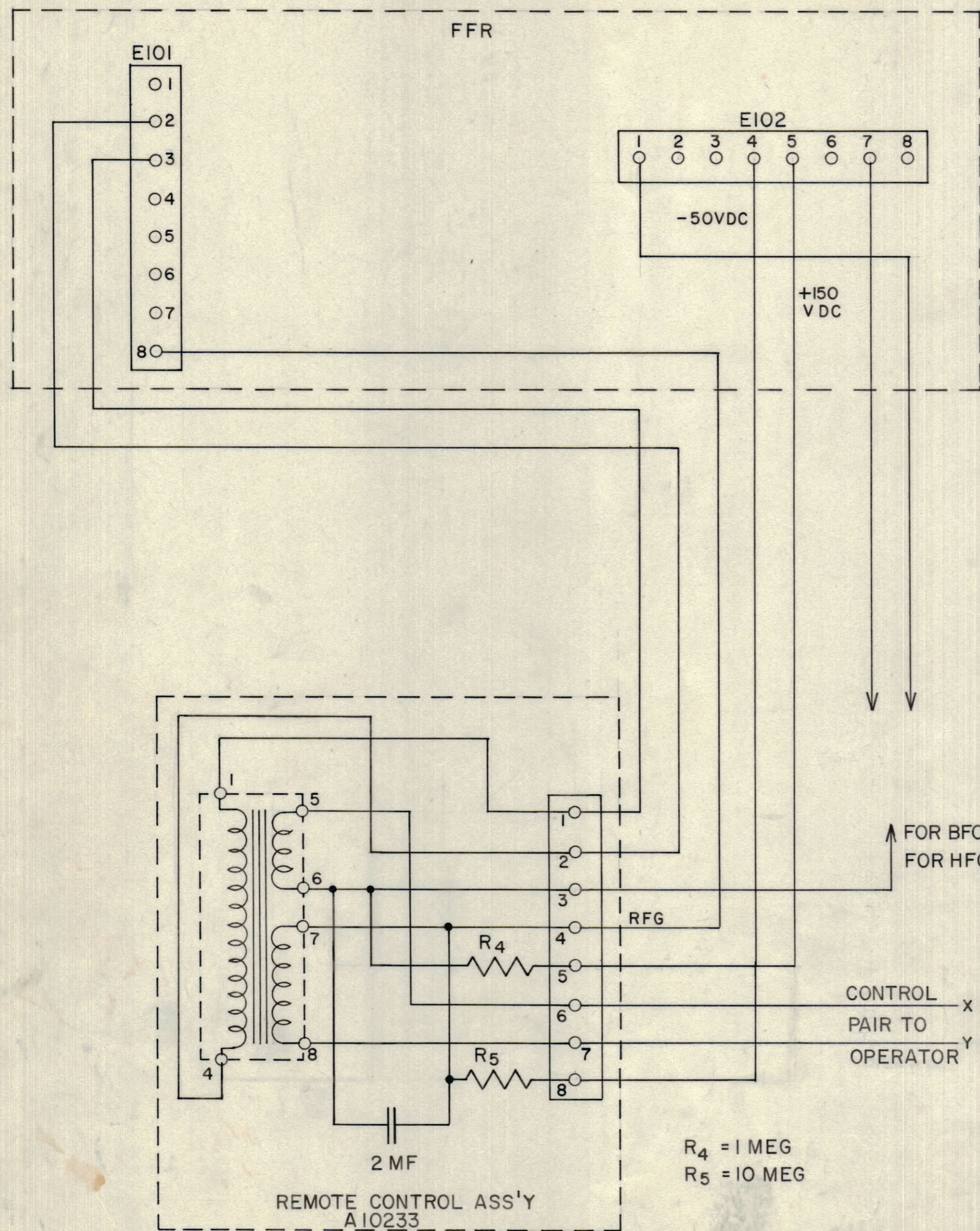


IF IT IS FOUND DESIRABLE TO CHANGE ANY TOLERANCE OR OTHER DETAIL SPECIFIED ON THIS DRAWING NOTIFY THE PURCHASER PROMPTLY.

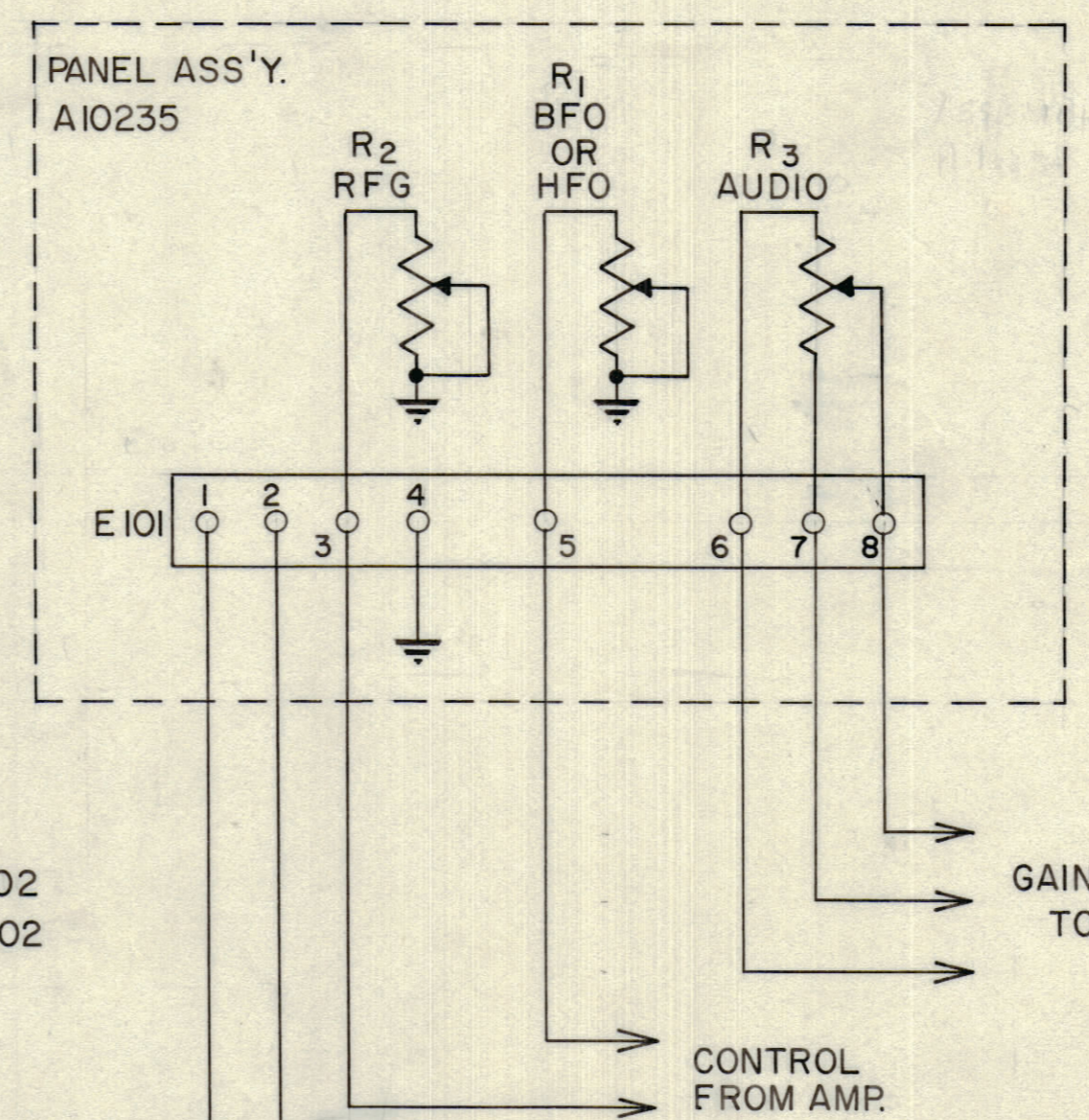
MAXIMUM ALLOWABLE TOLERANCES HAVE BEEN DETERMINED AND DEVIATIONS WILL BE CAUSE FOR REJECTION. REMOVE ALL BURRS AND SHARP EDGES



NOTE: - FOR REMOTE OPERATION:

REMOVE STRAP ON E102 BETWEEN TERMINALS 3 AND 4  
RECEIVER MUST BE OPERATED IN AVC "ON" CONDITION,

R<sub>1</sub> = 1.0 MEG Ω LINEAR  
R<sub>2</sub> = 1.0 MEG Ω LINEAR  
R<sub>3</sub> = 50K Ω LOG



NOTICE TO PERSONS RECEIVING THIS DRAWING

THE TECHNICAL MATERIEL CORPORATION claims proprietary right in the material disclosed hereon. This drawing is issued in confidence for engineering information only and may not be reproduced or used to manufacture anything shown hereon without permission from THE TECHNICAL MATERIEL CORPORATION to the user. This drawing is loaned for mutual assistance and is subject to recall at any time.

Property of:  
THE TECHNICAL MATERIEL CORPORATION  
MAMARONECK, NEW YORK

CE5004-A OCT 2 / 59

|         |             |            |      |
|---------|-------------|------------|------|
| MODEL   | PROJECT NO. | ASS'Y. No. | DATE |
| USED ON |             |            |      |

| REQ.                    | ITEM | PART NO. | DESCRIPTION  | SYMBOL |
|-------------------------|------|----------|--|--------|
| STOCK SIZE              |      |          | <b>TMC (Canada) LIMITED</b><br>OTTAWA ONTARIO<br>REMOTE CONTROL FACILITIES<br>D.O.T. |        |
| MATERIAL WEIGHT PER PC. |      |          |  |        |
| TYPE & TEMPER.          |      |          | DCM  |        |
| HEAT TREAT. SPEC.       |      |          | DRAWN  |        |
| FINISH & SPEC. No.      |      |          | ELEC. DES. APP.  |        |
|                         |      |          | MECH. DES. APP.  |        |
|                         |      |          | CHECKED  |        |
|                         |      |          | FINAL APPROVAL   |        |
|                         |      |          | <b>CK10339</b>   |        |

CK10339

| ISSUE          | ITEM | CHANGED FROM | DATE | CN. NO.                        | DRAFTS | CHECKER | ENG. APP. |
|----------------|------|--------------|------|--------------------------------|--------|---------|-----------|
| TOLERANCES     |      |              |      |                                |        |         |           |
| ALL OTHERS     |      |              |      | SCALE:                         |        |         |           |
| DEC. DIM. ±    |      |              |      | DRILL, PUNCH, COMMERCIAL STOCK |        |         |           |
| FRAC. DIM. ±   |      |              |      | SIZES AND MANUFACTURERS        |        |         |           |
| ANGULAR DIM. ± |      |              |      | TOLERANCES ARE NOT INCLUDED.   |        |         |           |