

IF IT IS FOUND DESIRABLE TO CHANGE ANY TOLERANCE OR OTHER DETAIL SPECIFIED ON THIS DRAWING NOTIFY THE PURCHASER PROMPTLY.

MAXIMUM ALLOWABLE TOLERANCES HAVE BEEN DETERMINED AND DEVIATIONS WILL BE CAUSE FOR REJECTION. REMOVE ALL BURRS AND SHARP EDGES

**NOTICE TO PERSONS RECEIVING THIS DRAWING**

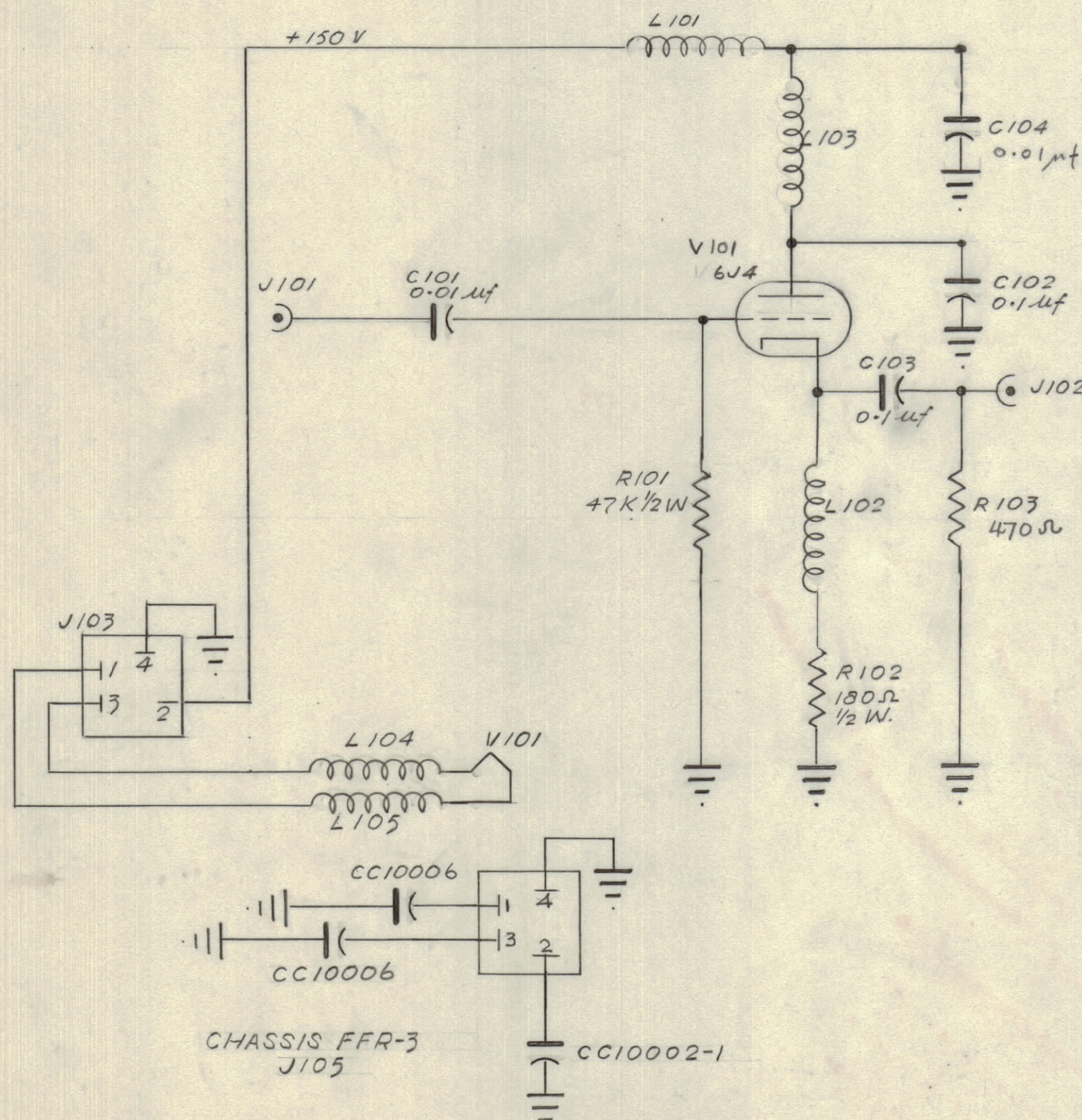
THE TECHNICAL MATERIEL CORPORATION claims proprietary right in the material disclosed hereon. This drawing is issued in confidence for engineering information only and may not be reproduced or used to manufacture anything shown hereon without permission from THE TECHNICAL MATERIEL CORPORATION to the user. This drawing is loaned for mutual assistance and is subject to recall at any time.

Property of:

THE TECHNICAL MATERIEL CORPORATION  
MAMARONECK, NEW YORK

**NOTE**

MODIFICATION TO  
PRODUCE 1V.OLT I.F.  
OUTPUT IN 70 Ω



**NOTE:**

ADD 3 CAPACITORS  
AS SHOWN.

CK10374

REQ.	ITEM	PART NO.	DESCRIPTION	SYMBOL
1	12	R103	RESISTOR 470 Ω 1/2W-RC 206F471K	
1	11	R102	" 180 Ω RC206F181K	
1	10	R101	" 47K 1/2W RC 206F473K	
1	9	C104	CAPACITOR 0.01 μF 600V. CERAMIC CC10002-1	
1	8	C103	" 0.1 μF 400V. TUB CN10005-1	
1	7	C102	" 0.1 μF 400V. TUB CN10005-1	
1	6	C101	" 0.01 μF 600V. CERAMIC CC10002-1	
1	5	L105	INDUCTORS 8.2 μH CL134-2	
1	4	L104	" 8.2 μH CL134-2	
1	3	L103	" 47 μH CL10005-2	
1	2	L102	" 750 μH CL105-5	
1	1	L101	" 750 μH CL105-5	

STOCK SIZE		TMC (Canada) LIMITED OTTAWA ONTARIO	
MATERIAL		FFR. MOD. CAN.-5.	
TYPE & TEMPER		WHDAVISON	
HEAT TREAT. SPEC.		DRAWN	ELEC. DES. APP. MECH. DES. APP.
FINISH & SPEC. No.		CHECKED	FINAL APPROVAL

ISSUE	ITEM	CHANGED FROM	DATE	CN. NO.	DRAFTS	CHECKER	ENG. APP.
TOLERANCES		SCALE:					
ALL OTHERS		DRILL, PUNCH, COMMERCIAL STOCK SIZES AND MANUFACTURERS TOLERANCES ARE NOT INCLUDED.					

MOD. CAN-5.FFR	PROJECT No.	ASS'Y. No.	DATE
			31 MAY 1960