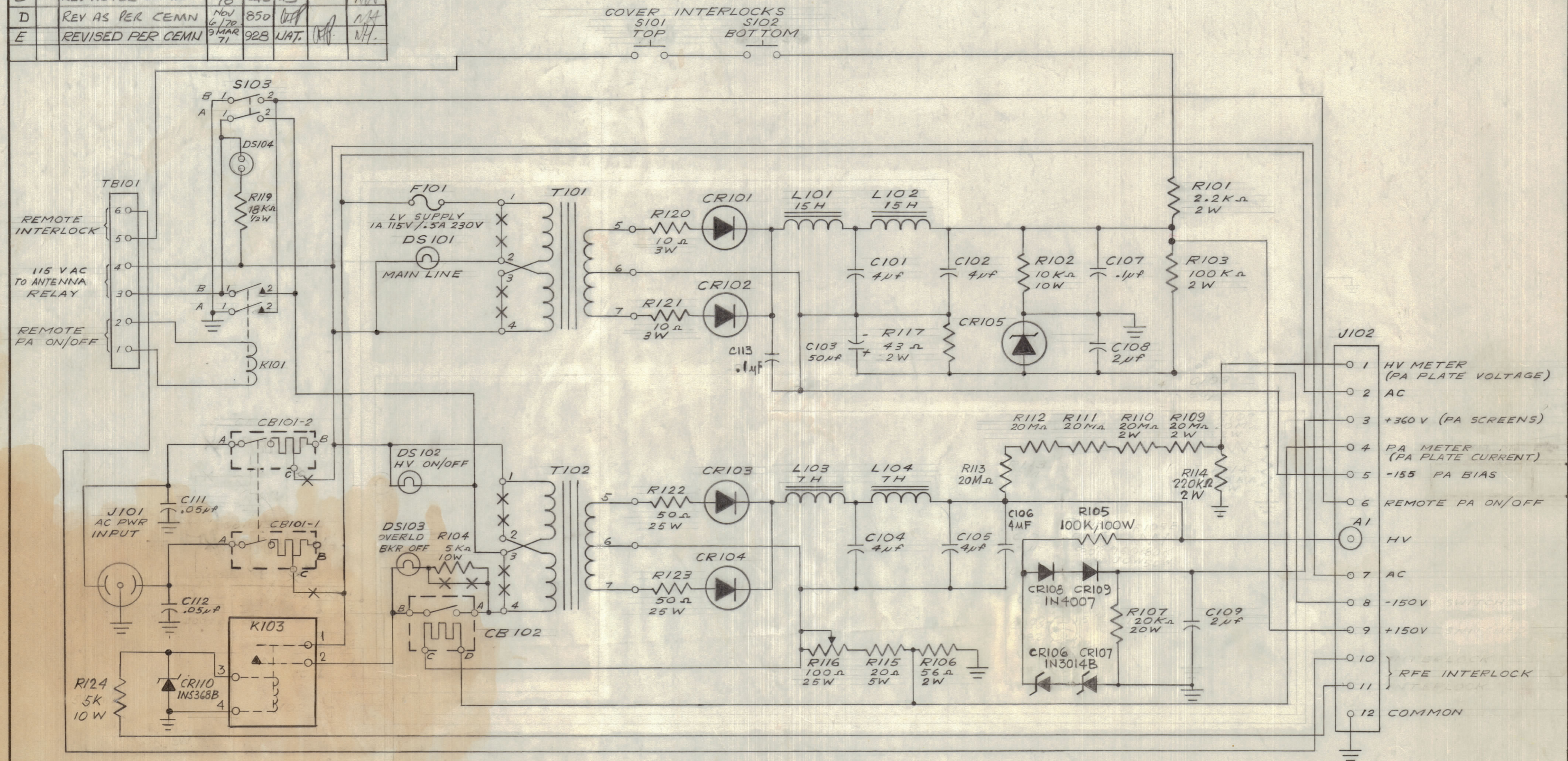


IF IT IS FOUND DESIRABLE TO CHANGE ANY TOLERANCE OR OTHER DETAIL SPECIFIED ON THIS DRAWING NOTIFY THE PURCHASER PROMPTLY.		DIMENSIONS IN INCHES UNLESS OTHERWISE SPECIFIED					
MAXIMUM ALLOWABLE TOLERANCES HAVE BEEN DETERMINED AND DEVIATIONS WILL BE CAUSE FOR REJECTION. REMOVE ALL BURRS AND SHARP EDGES.							
ISSUE	ITEM	CHANGED FROM	DATE	CN. NO.	DRAFTS	CHECKER	ENG. APP.
Ø		REL TO PROD.	16-2-66			RD	
A		CR107 CON. CHANGED	29-3-66			RD	
B		REV. PER CEMN	12-7-66	028		RD	
C		REV AS PER CEMN	13 OCT 70	843			
D		REV AS PER CEMN	NOV 6 1970	850			
E		REVISED PER CEMN	9 MAR 71	928		UAT.	

ISSUE	ITEM	CHANGED FROM	DATE	CN. NO.	DRAFTS	CHECKER	ENG. APP.
F		REVISED PER CEMN	20 JAN 1972	1119		C.C.	
G		REVISED PER CEMN	30 APR 73	1234		J.M.	

REQ.	ITEM	PART NO.	DESCRIPTION	SYMBOL
------	------	----------	-------------	--------



CHANGES NECESSARY TO CONVERT TO 230V OPERATION  
 T101 REMOVE JUMPERS MARKED \* \* \* AND CONNECT JUMPER BETWEEN TERMINALS 2 & 3.  
 T102 SAME AS T101.  
 CB101 REMOVE LEADS FROM TERM "C" AND CONNECT TO TERM. "B" (MARKED \* -)  
 R104 REMOVE AND DISCARD JUMPER MARKED \* \* \*.  
 F101 CHANGE FROM 1 AMP TO 1/2 AMP.

NOTES:  
 1. ALL FUSES ARE SLOW BLOW.  
 2. TB101 # 566 NORMALLY JUMPED UNLESS REMOTE INTERLOCK IS REQUIRED

TOLERANCES		SCALE:
ALL OTHERS	DEC. DIM. ± FRAC. DIM. ± ANGULAR DIM. ±	DRILL, PUNCH, COMMERCIAL STOCK SIZES AND MANUFACTURERS TOLERANCES ARE NOT INCLUDED.

PSP 500	028/66	7 FEB 66
MODEL	PROJECT NO.	DATE

ARCHARD

**TMC (Canada) LIMITED**  
 OTTAWA ONTARIO

**SCHEMATIC**

PSP - 500

RD  
 DRAWN

EA  
 ELEC. DES. APP.

JH  
 MECH. DES. APP.

CHECKED

FINAL APPROVAL

CK10473 G