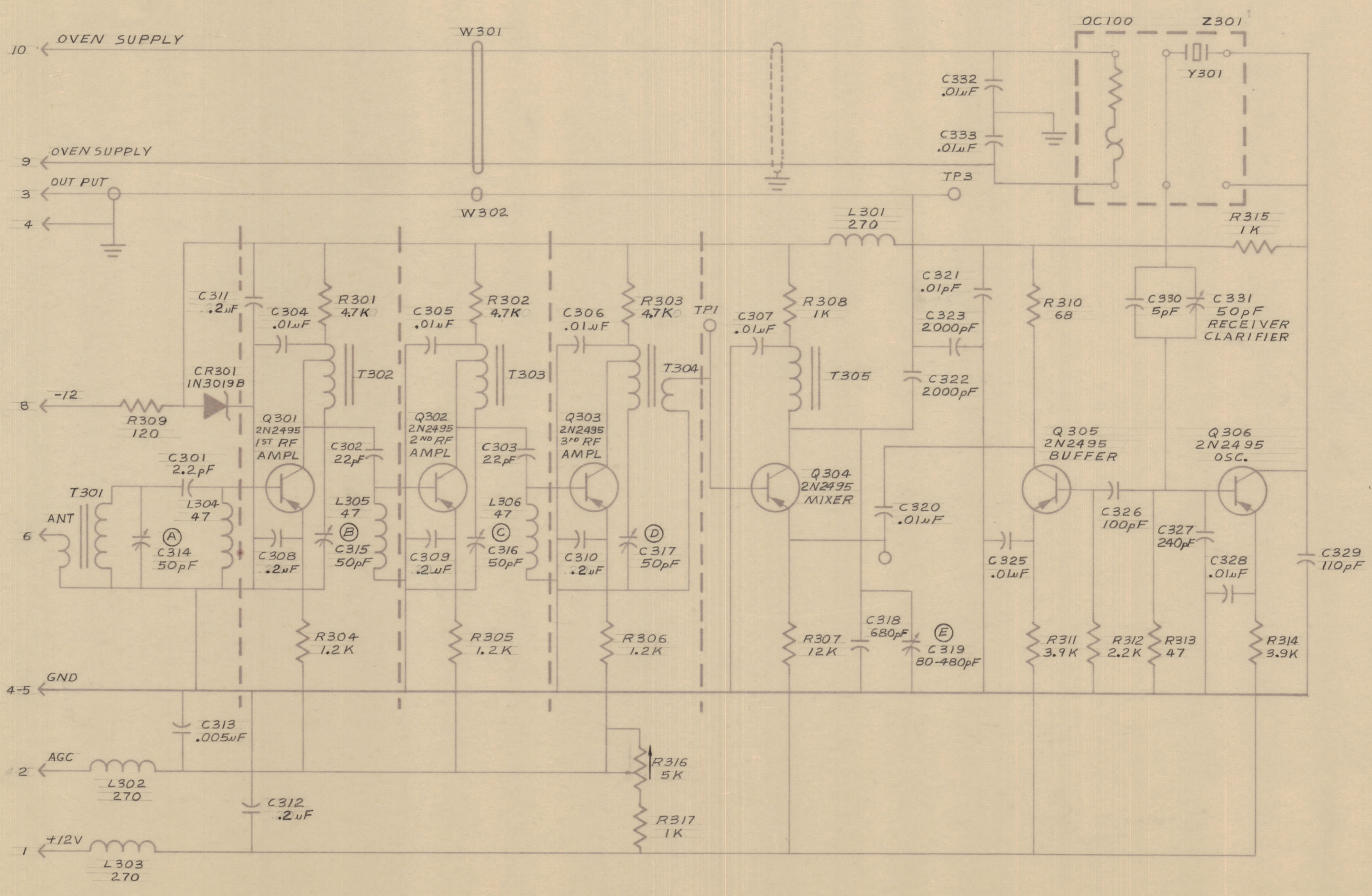


IF IT IS FOUND DESIRABLE TO CHANGE ANY TOLERANCE OR OTHER DETAIL SPECIFIED ON THIS DRAWING NOTIFY THE PURCHASER PROMPTLY.		DIMENSIONS IN INCHES UNLESS OTHERWISE SPECIFIED.					
MAXIMUM ALLOWABLE TOLERANCES HAVE BEEN DETERMINED AND DEVIATIONS WILL BE CAUSE FOR REJECTION. REMOVE ALL BURRS AND SHARP EDGES.							
ISSUE	ITEM	CHANGED FROM	DATE	CH. NO.	DRAFTS	CHECKER	ENG. APP.
0		REL TO PROD	19JAN67		RA		

REQ.	ITEM	PART NO.	DESCRIPTION	SYMBOL
------	------	----------	-------------	--------



CK10523 0

UNLESS OTHERWISE SPECIFIED  
 ALL RESISTORS 1/2 WATT  
 ALL RESISTORS VALUES IN OHMS  
 ALL INDUCTANCE VALUES IN μH

TOLERANCES	SCALE
ALL OTHERS DEC. DIM. 1/16 ANGULAR DIM. 1/32	DRILL, PUNCH, COMMERCIAL STOCK SIZES AND MANUFACTURERS TOLERANCES ARE NOT INCLUDED.

TTRR-3C	067/67	13JAN 67
MODEL	PROJECT NO.	DATE

STOCK SIZE		TMC (Canada) LIMITED OTTAWA ONTARIO	
MATERIAL		SCHEMATIC 5	
TYPE & TEMPER.	WEIGHT PER PC.	RA	CH
HEAT TREAT. SPEC.		CHECKED	FINAL APPROVAL
FINISH & SPEC. NO.		CK10523 0	