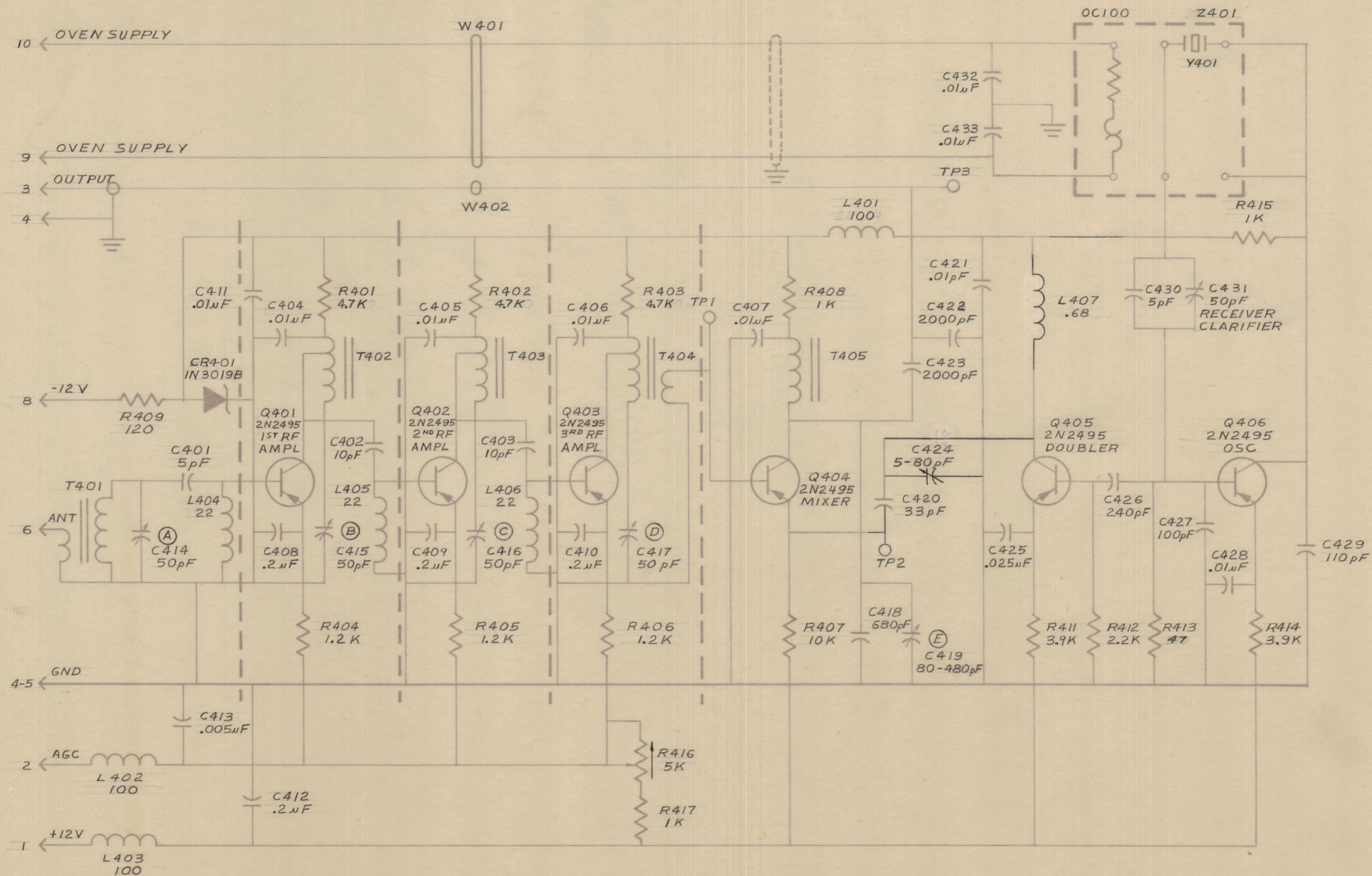


IF IT IS FOUND DESIRABLE TO CHANGE ANY TOLERANCE OR OTHER DETAIL SPECIFIED ON THIS DRAWING NOTIFY THE PURCHASER PROMPTLY.		DIMENSIONS IN INCHES UNLESS OTHERWISE SPECIFIED					
WHEN ALLOWABLE TOLERANCES HAVE BEEN DETERMINED AND DEVIATIONS WILL BE CAUSE FOR REJECTION REMOVE ALL BURNS AND SHARP EDGES.							
ISSUE	ITEM	CHANGED FROM	DATE	CN. NO.	DRAFTS	CHECKER	ENG. APP.
0		REL TO PROD	13 JAN 67			RA	

REQ.	ITEM	PART NO.	DESCRIPTION	SYMBOL
------	------	----------	-------------	--------



CK10524  $\phi$

UNLESS OTHERWISE SPECIFIED  
 ALL RESISTORS 1/2 WATT  
 ALL RESISTORS VALUES IN OHMS  
 ALL INDUCTANCE VALUES IN  $\mu$  H

TOLERANCES	SCALE
ALL OTHERS	DRILL, PUNCH, COMMERCIAL STOCK
DEC. DIM. $\pm$	SIZES AND MANUFACTURERS
FRAC. DIM. $\pm$	TOLERANCES ARE NOT INCLUDED
ANGULAR DIM. $\pm$	

ITRR-4C	067/67	13 JAN 67
MODEL	PROJECT NO.	DATE

STOCK SIZE		TMC (Canada) LIMITED OTTAWA ONTARIO	
MATERIAL		SCHEMATICS	
WEIGHT PER PC.		RA	
TYPE & TEMPER.		DRAWN	ELEC. DES. APP.
HEAT TREAT. SPEC.			
FINISH & SPEC. NO.		CHECKED	FINAL APPROVAL
		CK10524 $\phi$	