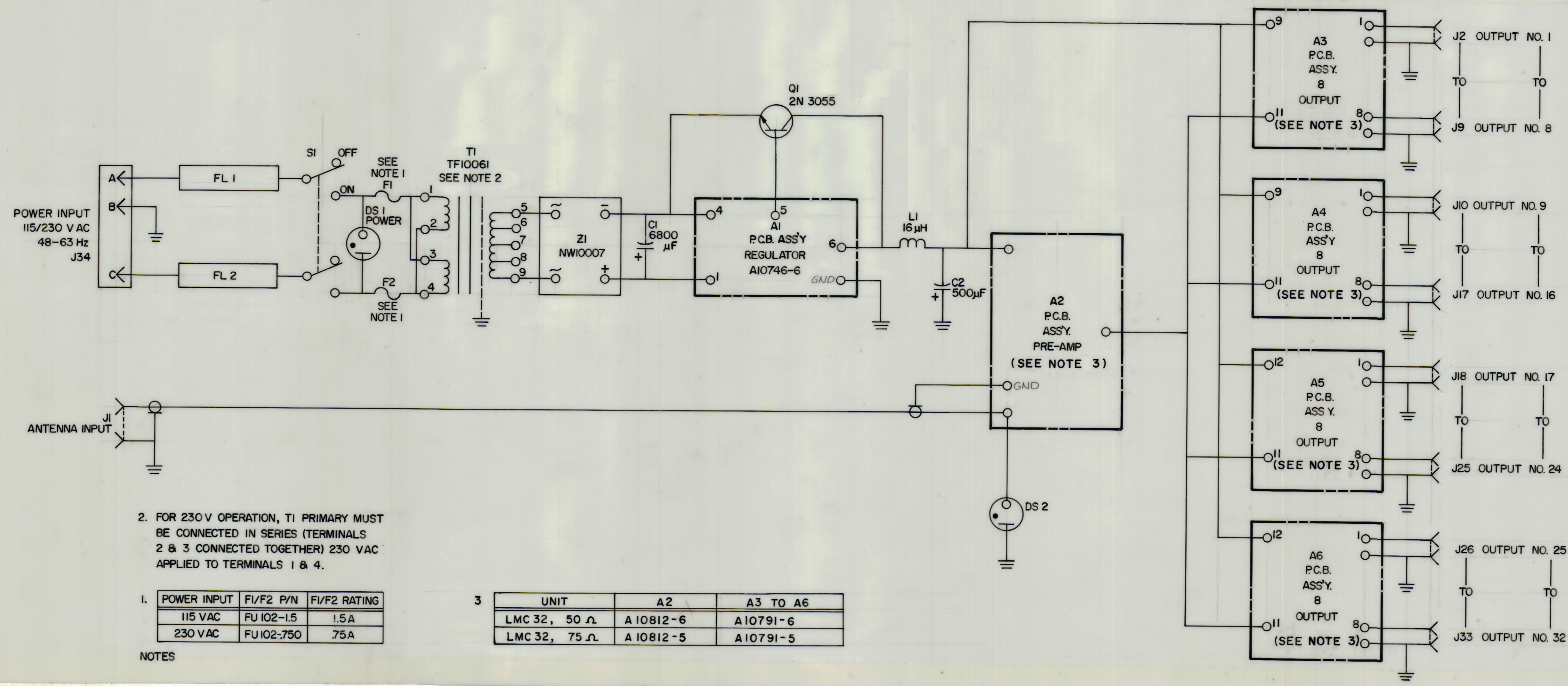


IF IT IS FOUND DESIRABLE TO CHANGE ANY TOLERANCE OR OTHER DETAIL SPECIFIED ON THIS DRAWING NOTIFY THE PURCHASER PROMPTLY.

MAXIMUM ALLOWABLE TOLERANCES HAVE BEEN DETERMINED AND DEVIATIONS WILL BE CAUSE FOR REJECTION. REMOVE ALL BURRS AND SHARP EDGES.

DIMENSIONS IN INCHES UNLESS OTHERWISE SPECIFIED

ISSUE	ITEM	CHANGED FROM	DATE	CN. NO.	DRAFTS	CHECKER	ENG. APP.
1	PROD. RELEASE		15 MAR 72	1167	T.H.	UAT	[Signature]



TOLERANCES UNLESS OTHERWISE SPECIFIED

ALL OTHERS	DEC. DIM.	FRAC. DIM.	ANGULAR DIM.	SCALE:	DRILL, PUNCH, COMMERCIAL STOCK SIZES AND MANUFACTURERS TOLERANCES ARE NOT INCLUDED
	.XX ± .05	.XX ± .01	1° 30' ± .005		

MODEL	PROJECT NO.	ASSY. NO.	DATE
LMC 32		LMC-32	9 MARCH 72

TMC (Canada) LIMITED
OTTAWA ONTARIO

SCHMATIC DIAGRAM
LMC 32

T. HARTMAN
DRAWN

ELEC. DES. APP. [Signature]
MECH. DES. APP. [Signature]

CHECKED [Signature]
FINAL APPROVAL [Signature]

FINISH & SPEC. NO. CKI0744