

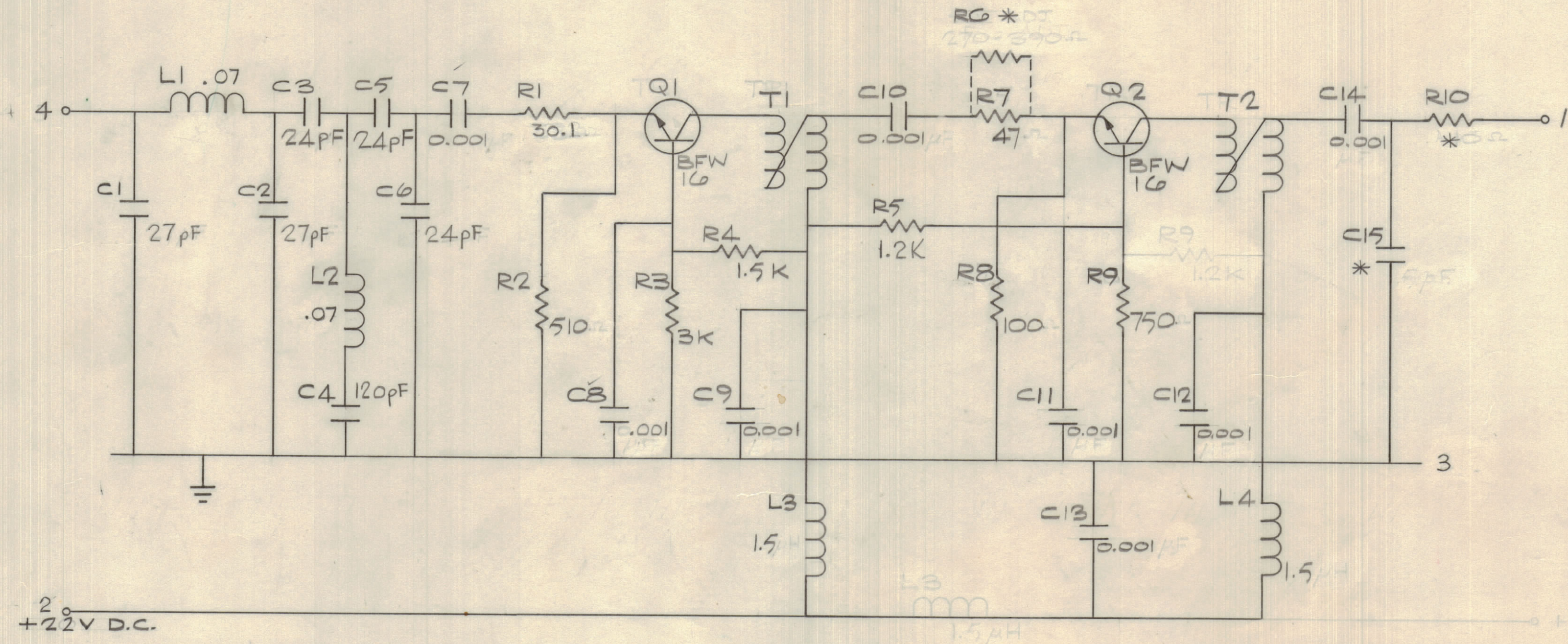
IF IT IS FOUND DESIRABLE TO CHANGE ANY TOLERANCE OR OTHER DETAIL SPECIFIED ON THIS DRAWING NOTIFY THE PURCHASER PROMPTLY.

DIMENSIONS IN INCHES UNLESS OTHERWISE SPECIFIED

MAXIMUM ALLOWABLE TOLERANCES HAVE BEEN DETERMINED AND DEVIATIONS WILL BE CAUSE FOR REJECTION. REMOVE ALL BURRS AND SHARP EDGES.

REG. ITEM PART NO. DESCRIPTION SYMBOL

ISSUE	ITEM	CHANGED FROM	DATE	CN. NO.	DRAFTS	CHECKER	ENG. APP.
Ø		PRODUCTION RELEASE	DEC 2-70		G.C.T.	[Signature]	[Signature]
A		REVISED PER CEMN	DEC 17-70	883	G.C.T.	[Signature]	[Signature]
B		REVISED PER CEMN	FEB 10-71	908	G.C.T.	[Signature]	[Signature]



NOTE:- RESISTANCE IN OHMS  
 CAPACITANCE IN µF  
 INDUCTANCE IN µH  
 UNLESS OTHERWISE STATED

RESISTORS AND CAPACITOR MARKED THUS \* SELECT ON TEST.

TOLERANCES		SCALE
ALL	DEC. DIM. ± .05	DRILL, PUNCH, COMMERCIAL STOCK SIZES AND MANUFACTURERS TOLERANCES ARE NOT INCLUDED.
OTHERS	FRAC. DIM. ± 1/64	
	ANGULAR DIM. ± 0° 30'	

VMC-B	084/70	2 SEPT. 70
MODEL	PROJECT NO.	DATE

STOCK SIZE		TMC (Canada) LIMITED OTTAWA ONTARIO	
MATERIAL		PRE-AMPLIFIER VHF. MULTI-COUPLER	
TYPE & TEMPER		W.S.	J.T.
HEAT TREAT. SPEC.		CHECKED	FINAL APPROVAL
FINISH & SPEC. NO.		CK10788 B	